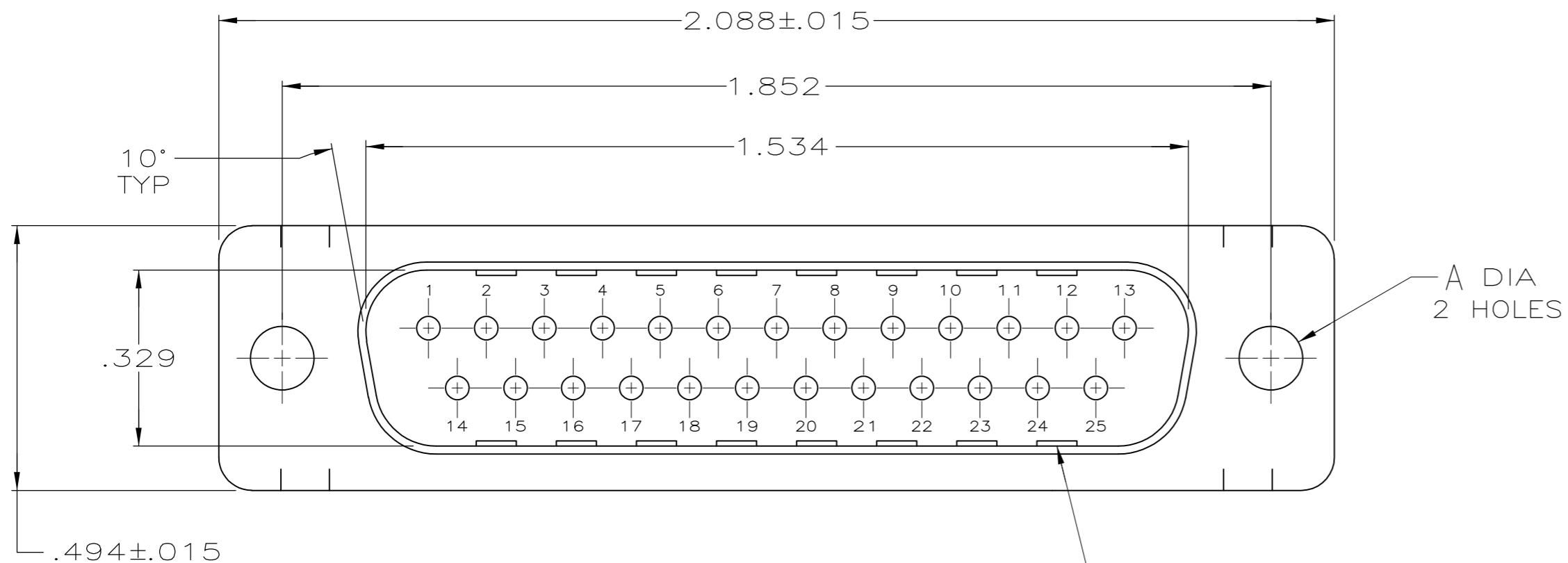


THIS DRAWING IS UNPUBLISHED. RELEASED FOR PUBLICATION
 © COPYRIGHT - By - ALL RIGHTS RESERVED.

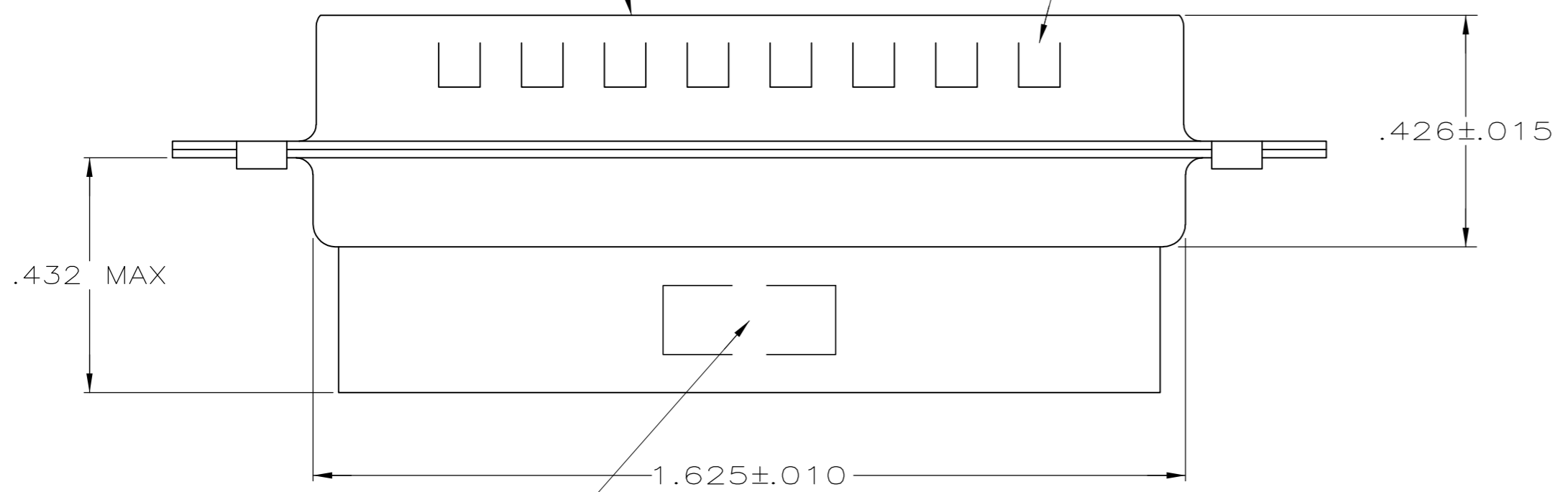
| LOC | DIST | REVISIONS | | | | | |
|-----|------|-----------|-----|---------------------------|-----------|-----|------|
| GP | 00 | P | LTR | DESCRIPTION | DATE | DWN | APVD |
| | | H | | REVISED PER ECO-11-002006 | 11APR2011 | CJV | CWR |



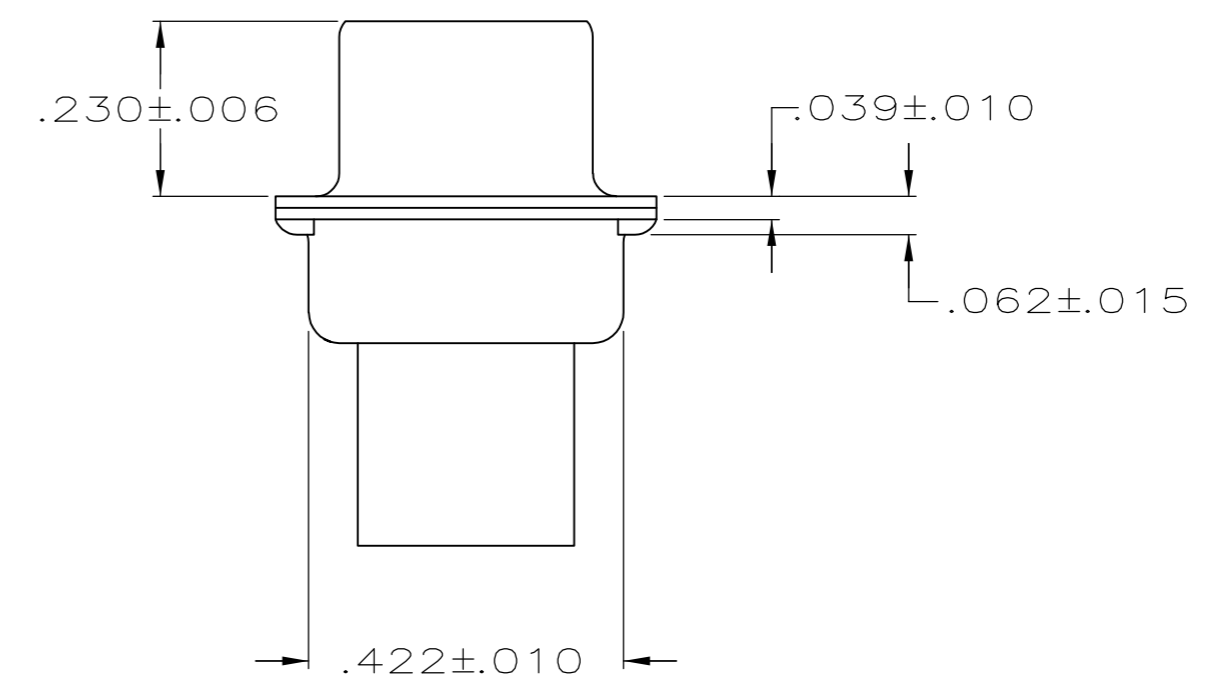
A DIA
2 HOLES

GROUNDING INDENTS
SEE TABLE

MATING FACE



"AMP", PART NO. & DATE CODE, MARKED
IN AREA INDICATED, ON FAR SIDE



- CONNECTOR ACCEPTS SIZE 20 DF PIN CONTACTS, RETENTION TINES ARE AN INTEGRAL PART OF INSERT.
- CONNECTOR COMPLIES WITH 108-40005 WHERE APPLICABLE.
- MOLDED PARTS: NYLON, FLAME RETARDANT, 94V-0 RATED, GLASS FILLED, BLACK.
- SHELLS: STEEL PER ASTM A109.
- TIN OR TIN-LEAD PLATED OVER COPPER UNDERPLATE.
- TIN PLATED OVER COPPER UNDERPLATE.

| PACKAGING TYPE | SHELL FINISH | GROUNDING INDENTS | A | PART NUMBER |
|----------------|--------------|-------------------|------|-------------|
| STANDARD | 6 | NO | .120 | 207464-7 |
| STANDARD | 6 | YES | .120 | 207464-6 |
| STANDARD | 5 | YES | .154 | 207464-4 |
| STANDARD | 5 | NO | .154 | 207464-3 |
| STANDARD | 6 | YES | .120 | 207464-2 |
| STANDARD | 5 | NO | .120 | 207464-1 |

THIS DRAWING IS A CONTROLLED DOCUMENT.

| | | | | | |
|----------------------|---------------------|-------|-----------|------------|---------------|
| DWN S.WELDON 7-19-85 | TE Connectivity | SIZE | CAGE CODE | DRAWING NO | RESTRICTED TO |
| CHK J.GERACE 7-29-85 | | A2 | 00779 | C=207464 | - |
| APVD - | | SCALE | SHEET | REV | |
| PRODUCT SPEC - | | 4:1 | 1 of 1 | H | |
| APPLICATION SPEC - | CUSTOMER DRAWING | | | | |