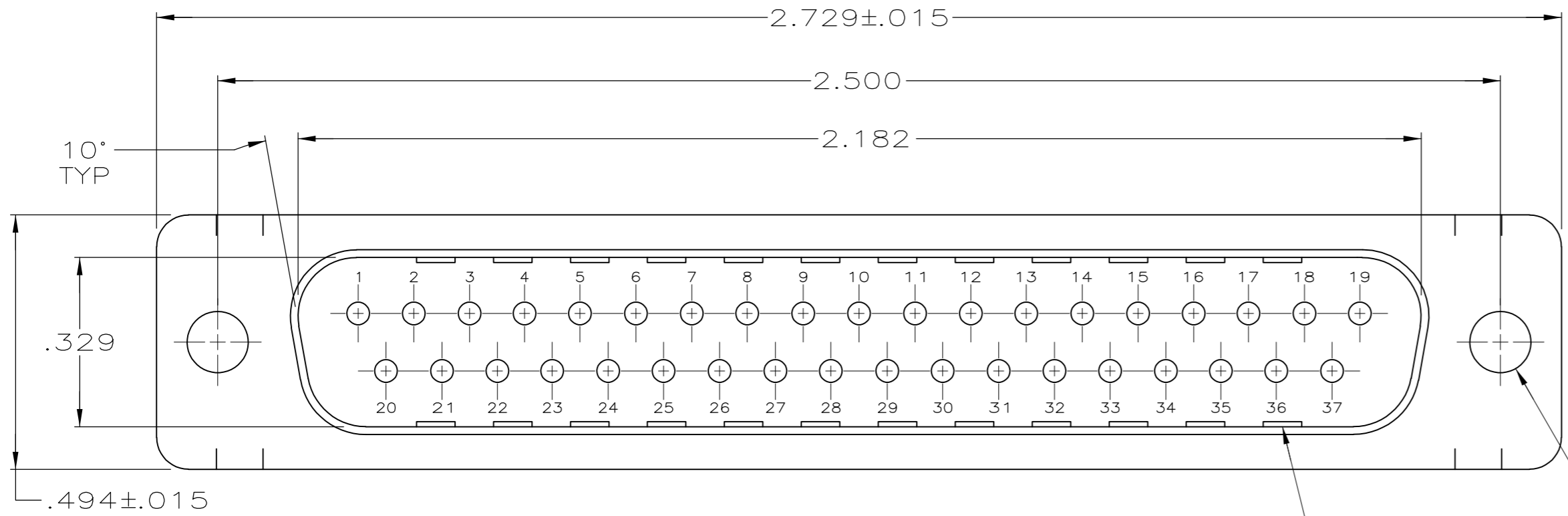


THIS DRAWING IS UNPUBLISHED. RELEASED FOR PUBLICATION  
 © COPYRIGHT - By - ALL RIGHTS RESERVED.

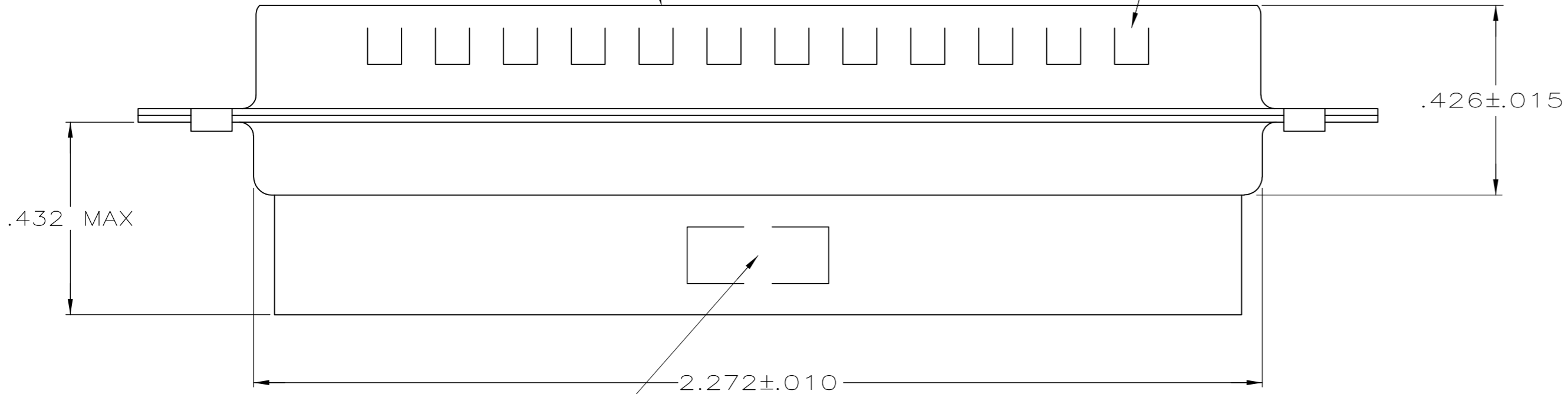
LOC		DIST		REVISIONS			
GP	00	P	LTR	DESCRIPTION	DATE	DWN	APVD
		K		REVISED PER ECO-11-002006	11APR2011	CJV	CWR



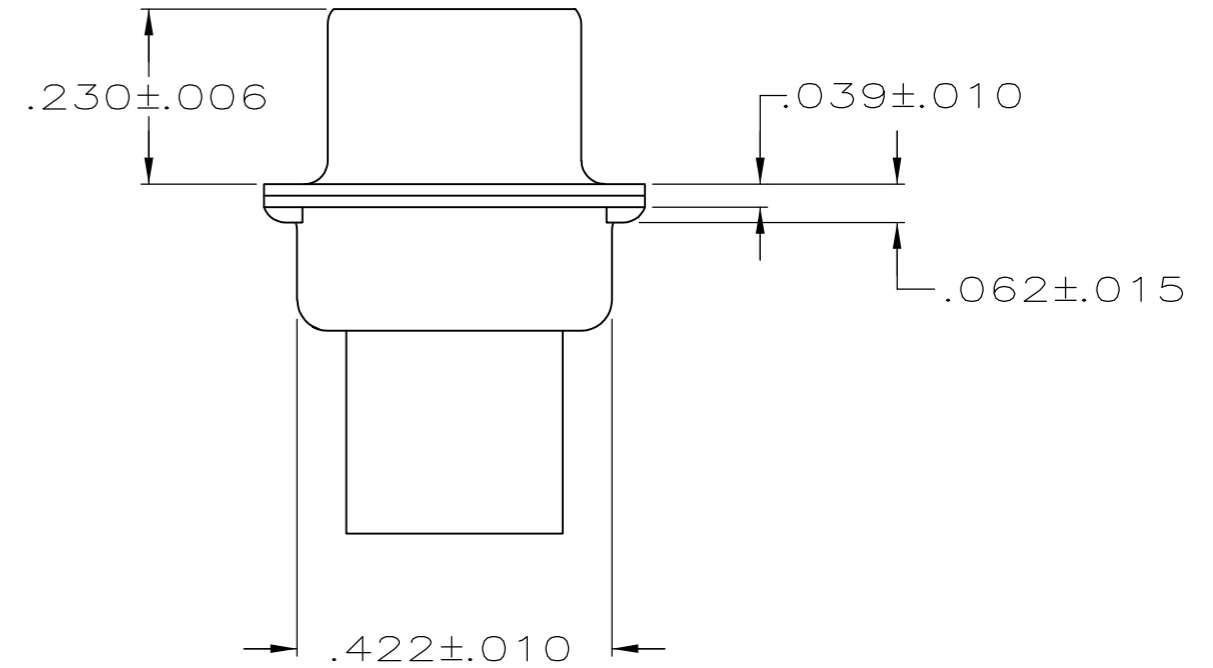
.120 DIA  
2 HOLES

GROUNDING INDENTS  
SEE TABLE

MATING FACE



"AMP", PART NO. & DATE CODE, MARKED  
IN AREA INDICATED, ON FAR SIDE



- CONNECTOR ACCEPTS SIZE 20 DF PIN CONTACTS, RETENTION TINES ARE AN INTEGRAL PART OF INSERT.
- CONNECTOR COMPLIES WITH 108-40005 WHERE APPLICABLE.
- MOLDED PART MATERIAL: NYLON, FLAME RETARDANT, 94V-0 RATED, GLASS FILLED, BLACK.
- SHELL MATERIAL: STEEL PER ASTM A109.
- ZINC PLATED PER ASTM B633; TYPE II; CLASS SC1; YELLOW CHROMATE.
- TIN OR TIN-LEAD PLATED OVER COPPER UNDERPLATE.
- TIN PLATED OVER COPPER UNDERPLATE.
- ZINC PLATED .000200-.000400 THICK, YELLOW TRIVALENT CHROMIUM CHROMATE COATING.

	STANDARD	8	NO	205210-8
	STANDARD	7	NO	205210-7
OBSOLETE	SMALL PACK	5	NO	205210-6
	STANDARD	7	YES	205210-3
OBSOLETE	STANDARD	6	NO	205210-2
OBSOLETE	STANDARD	5	NO	205210-1
	PACKAGING TYPE	SHELL FINISH	GROUNDING INDENTS	PART NUMBER

THIS DRAWING IS A CONTROLLED DOCUMENT.

DWN	S. WELDON	7-19-85
CHK	J. GERACE	7-29-85
APVD	V. KUMAR	7-31-85

TE Connectivity

PLUG CONNECTOR, SIZE 4,  
37 POSITION, AMPLIMITE™ HDP

SIZE	A2	CAGE CODE	00779	DRAWING NO	C=205210	RESTRICTED TO	-
SCALE	4:1	SHEET	1 of 1	REV	K		

CUSTOMER DRAWING