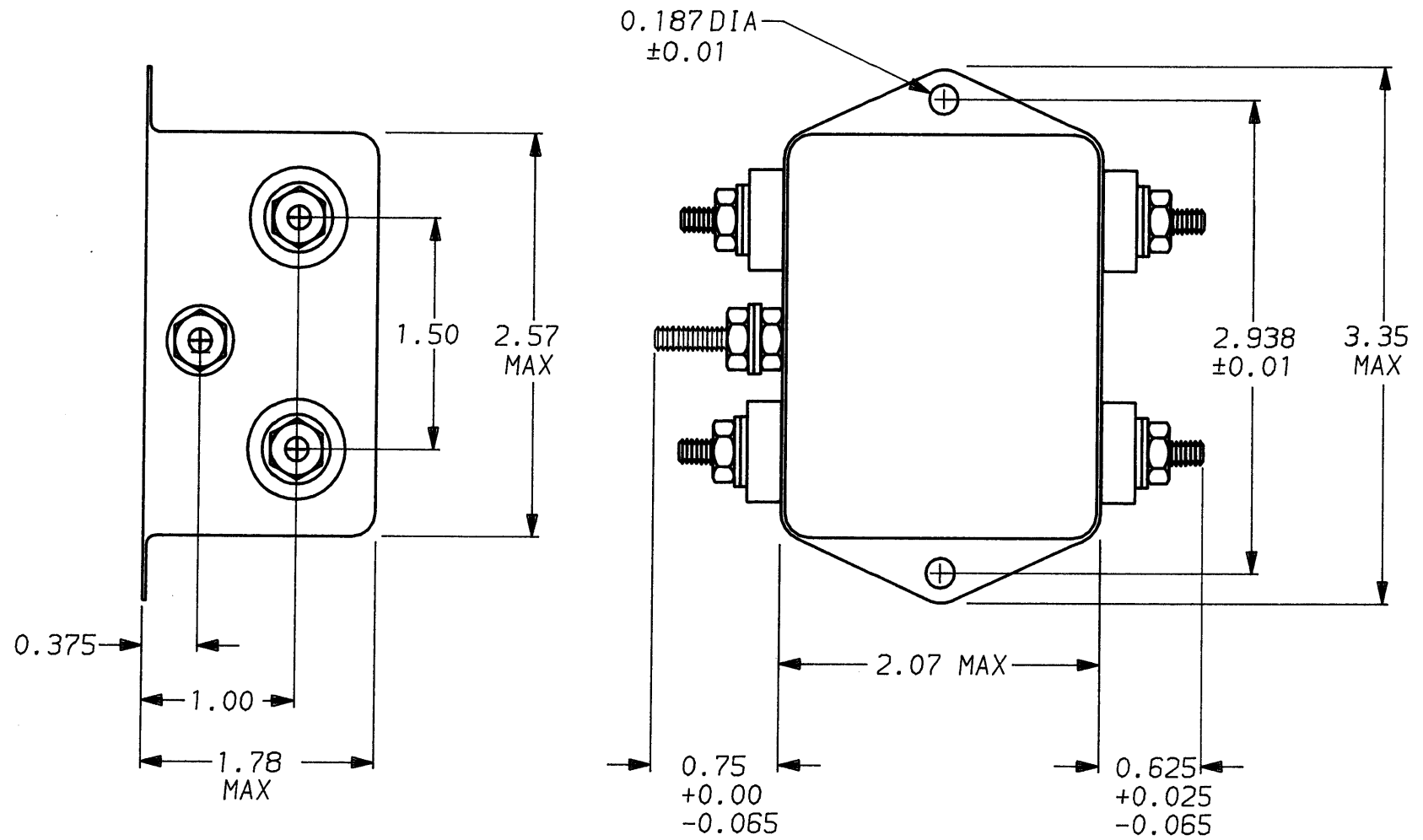


DESCRIPTION	APPROVED BY	DATE	REV
	C. Westbury	11-30-90	0
ECO-09-026495	AEG	10DEC09	1



**SAFETY ORGANIZATION(S):**

THIS FILTER HAS BEEN FORMALLY RECOGNIZED, CERTIFIED OR APPROVED BY THE LISTED AGENCY. THEREFORE, ALL TEST/REQUIREMENTS SPECIFIED IN THE LATEST REVISION OF THE FOLLOWING AGENCY STANDARDS HAVE BEEN MET:

- UL RECOGNIZED
- CSA CERTIFIED (PENDING)
- VDE APPROVED (PENDING)
- OPERATING SPECIFICATIONS:
- LINE VOLTAGE/CURRENT:
- LINE FREQUENCY:
- MAX. LEAKAGE CURRENT, EACH
- OPERATING AMBIENT TEMP. RANGE:
- IN AN AMBIENT,  $T_a$ , HIGHER THAN 40°C, THE MAXIMUM OPERATING CURRENT,  $I_o$ , IS AS FOLLOWS:

$$I_o = I_r \sqrt{\frac{85 - T_a}{45}}$$

**RELIABILITY SPECIFICATIONS:**

- STORAGE TEMPERATURE:
- HUMIDITY:
- CURRENT OVERLOAD TEST:

**TEST SPECIFICATIONS:**

- INDUCTANCE:
- CAPACITANCE: (MEASURED @ 1 KHz, 0.25 VAC MAX., 25°C ±1°C)
- DISCHARGE RESISTOR
- LINE/GROUND AND LINE/LINE
- INSULATION RESISTANCE

**RECOMMENDED RECEIVING INSPECTION HIPOT:**

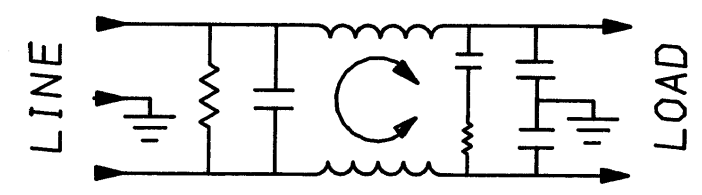
- LINES TO GROUND:
- LINE TO LINE:

**FILTER APPROVAL:**

THE BEST WAY TO SELECT AND QUALIFY A FILTER IS FOR YOUR ENGINEERING TO TEST THE UNIT IN YOUR EQUIPMENT.

**1 OBSOLETE PARTS: OBSOLETE CIS STREAMLINING PER D.RENAUD/D.SINISI**

**1-1609034-0 OBSOLETE**  
**1-6609034-0**



		50Ω - 50Ω (MINIMUM) INSERTION LOSS							
FREQUENCY MHz		.15	.5	1	2	5	10	20	30
COMMON dB		10	23	30	34	39	44	49	55
DIFF. dB		20	43	55	62	65	60	55	55

TOLERANCE EXCEPT AS NOTED  
 DECIMAL: .XXX .XX .X ANGLES ± 1°  
 ENGLISH: ±.025  
 METRIC: ±  
 MATERIAL:  
 AS SUPPLIED



**POWER LINE FILTER**

This document is proprietary to CORCOM INC. and is not to be reproduced nor used for manufacturing purposes except on CORCOM's order or prior written consent.

FINISH:  
 AS SUPPLIED

SCALE	DATE	DRG. NO.	REV.
NTS	11-5-90	20VDK6.	1
DRW. BY	ORIGINATOR		
CFW	CFW		