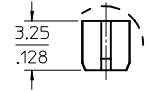
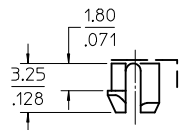
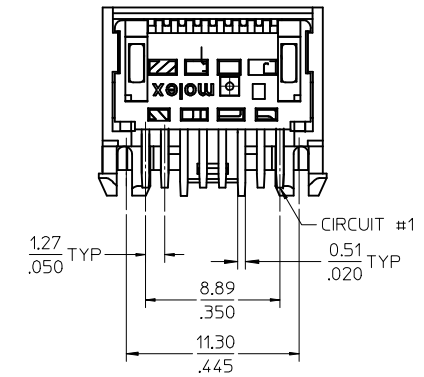
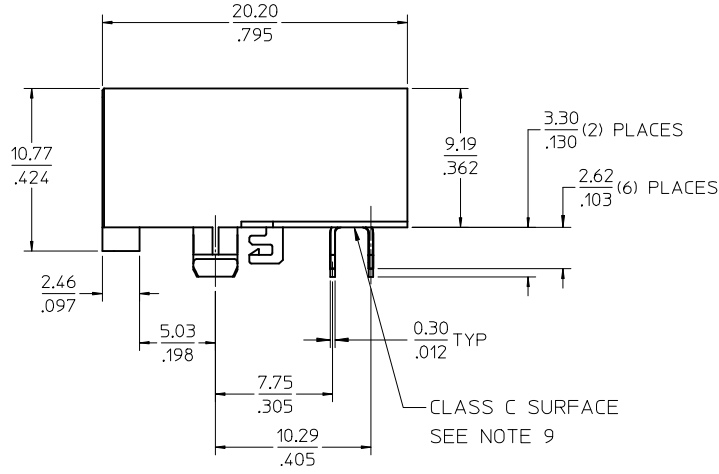
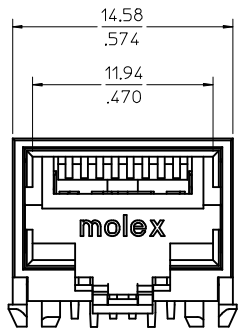
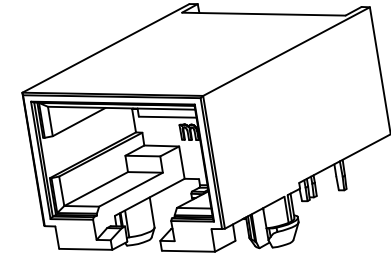


- NOTES:
- 1) MATERIAL:
HOUSING: NYLON(PA), GLASS FILLED, UL94V-0, COLOR: BLACK
TERMINALS: PHOSPHOR BRONZE
 - 2) FINISH:
TERMINALS:
SELECT GOLD IN CONTACT AREA: 1.27 MICROMETERS / 50 MICROINCHES MIN.,
SELECT MATTE TIN IN PC TAIL AREA: 2.54 MICROMETERS / 100 MICROINCHES MIN.,
WITH OVERALL NICKEL UNDERPLATE: 1.27 MICROMETERS / 50 MICROINCHES MIN.
 - 3) PRODUCT SPECIFICATION AND PROCESSING PARAMETERS: PS-44560-003.
 - 4) PACKAGING SPECIFICATION:
CONNECTOR PACKAGED IN TRAYS PER MOLEX PACKAGING SPECIFICATION
PK-44661-004.
 - 5) CONFORMS TO FCC REGULATION PART 68.5 FOR MODULAR JACKS.
 - 6) SEE SHEET (4) OF (4) FOR RECOMMENDED PANEL OPENING AND PCB LAYOUT.
 - 7) ASSEMBLY AVAILABLE WITH EITHER SNAP-FIT OR PRESS-FIT PEGS. THIS DRAWING SHOWS SNAP-FIT PEGS.
 - 8) TERMINAL LENGTHS MAY BE DIFFERENT FROM TERMINAL TO TERMINAL.
 - 9) THIS PART CONFORMS TO CLASS B REQUIREMENTS OF COSMETIC SPECIFICATION PS-45499-002 WITH THE EXCEPTION OF THE SURFACE INDICATED, WHICH IS A CLASS C SURFACE.
 - 10) THIS PRODUCT IS COMPLIANT TO RoHS DIRECTIVE 2002/95/EC AND ELV ANNEX II OF DIRECTIVE 2000/53/EC.



SNAP-FIT PEG

PRESS-FIT PEG

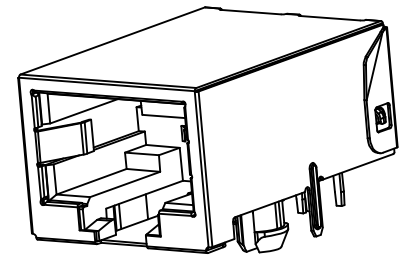
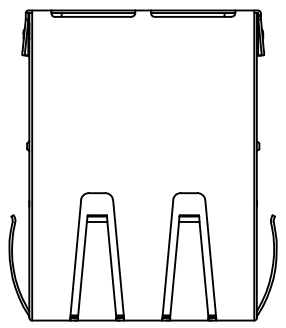
ASSEMBLY MATERIAL NUMBER	PEG STYLE
446610002	SNAP-FIT
446611002	PRESS-FIT

REV	DESCRIPTION	DATE	BY
G4	UPDATE OVERMOLD	2013/08/26	DRW:NGUYEN
		2013/08/26	CHKD:JBELL
		2013/09/13	APPR:FSMITH

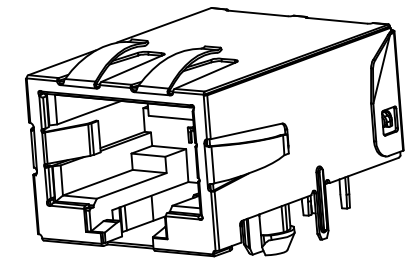
QUALITY SYMBOLS	GENERAL TOLERANCES (UNLESS SPECIFIED)
$\nabla=0$	mm INCH
$\nabla=0$	4 PLACES ± --- ± ---
$\nabla=0$	3 PLACES ± --- ± .012
$\nabla=0$	2 PLACES ± 0.30 ± ---
	1 PLACE ± --- ± ---
	0 PLACE ± ±
	ANGULAR ±1/2°
	DRAFT WHERE APPLICABLE MUST REMAIN WITHIN DIMENSIONS

DIMENSION STYLE		SCALE		DESIGN UNITS	
MM/IN		4:1		INCH	
DRAWN BY	DATE	TITLE			
MKAMAR	00/04/07	COMPACT SINGLE PORT CATEGORY 5E MODJACK			
CHECKED BY	DATE	molex			
MKAMAR	00/04/07	DOCUMENT NO. SD-44661-001			
APPROVED BY	DATE	SHEET NO. 1 OF 4			
JROBERTS	00/04/07	THIS DRAWING CONTAINS INFORMATION THAT IS PROPRIETARY TO MOLEX INCORPORATED AND SHOULD NOT BE USED WITHOUT WRITTEN PERMISSION			

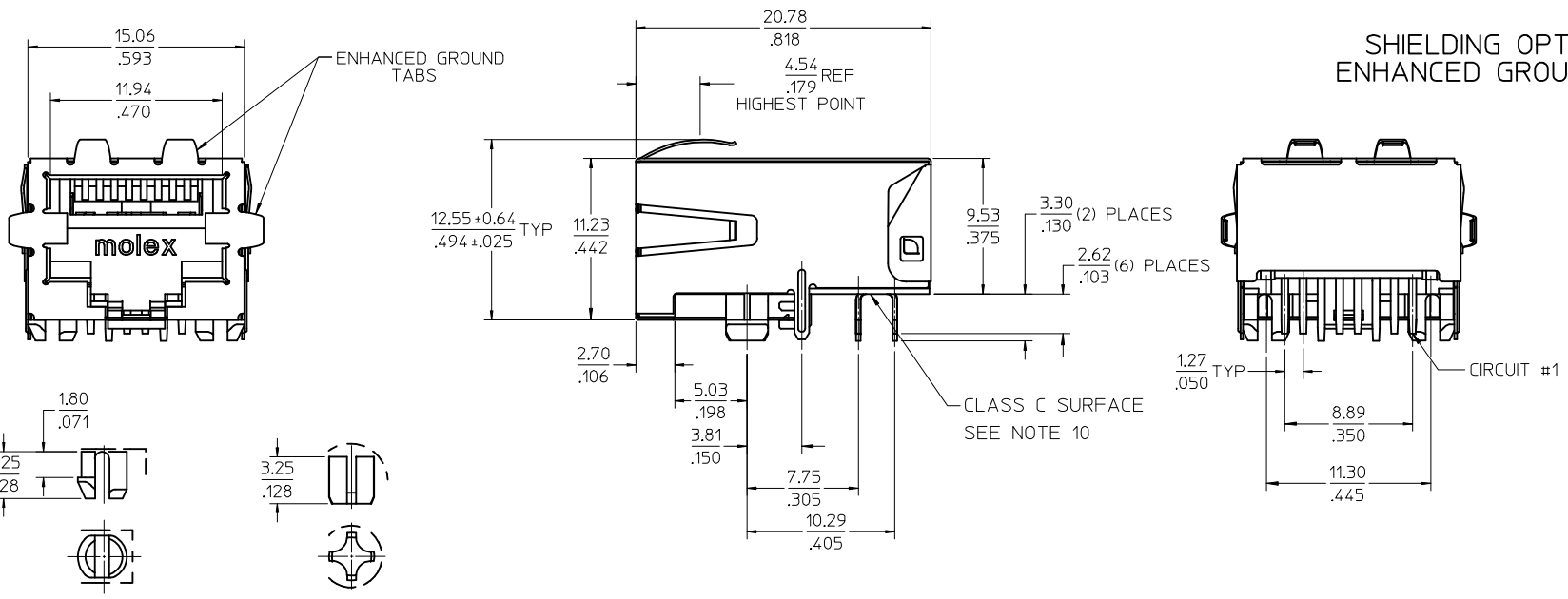
- NOTES:
 1) MATERIAL:
 HOUSING: NYLON(PA), GLASS FILLED, UL94V-0, COLOR: BLACK
 TERMINALS: PHOSPHOR BRONZE
 SHIELD: BRASS, 0.18 / .007 THICK
 2) FINISH:
 TERMINALS:
 SELECT GOLD IN CONTACT AREA: 127 MICROMETERS / 50 MICROINCHES MIN..
 SELECT MATTE TIN IN PC TAIL AREA: 254 MICROMETERS / 100 MICROINCHES MIN..
 WITH OVERALL NICKEL UNDERPLATE: 127 MICROMETERS / 50 MICROINCHES MIN..
 SHIELD:
 2.54 MICROMETERS / 100 MICROINCHES NICKEL OVER 1.27 MICROMETERS / 50 MICROINCHES COPPER UNDERPLATE; PCB GROUND TABS DIPPED IN TIN
 3) PRODUCT SPECIFICATION AND PROCESSING PARAMETERS: PS-44560-003.
 4) PACKAGING SPECIFICATION:
 CONNECTOR PACKAGED IN TRAYS PER MOLEX PACKAGING SPECIFICATION PK-44661-004.
 5) CONFORMS TO FCC REGULATION PART 68.5 FOR MODULAR JACKS.
 6) ENHANCED GROUND TABS SHIELD (OPTION -B-) IS SHOWN IN THIS DRAWING.
 7) SEE SHEET (4) OF (4) FOR RECOMMENDED PANEL OPENING AND PCB LAYOUT.
 8) ASSEMBLY AVAILABLE WITH EITHER SNAP-FIT OR PRESS-FIT PEGS. THIS DRAWING SHOWS SNAP-FIT PEGS.
 9) TERMINAL LENGTHS MAY BE DIFFERENT FROM TERMINAL TO TERMINAL.
 10) THIS PART CONFORMS TO CLASS B REQUIREMENTS OF COSMETIC SPECIFICATION PS-45499-002 WITH THE EXCEPTION OF THE SURFACE INDICATED, WHICH IS A CLASS C SURFACE.
 11) THIS PRODUCT IS COMPLIANT TO RoHS DIRECTIVE 2002/95/EC AND ELV ANNEX II OF DIRECTIVE 2000/53/EC.



SHIELDING OPTION -A-
STANDARD SHIELD



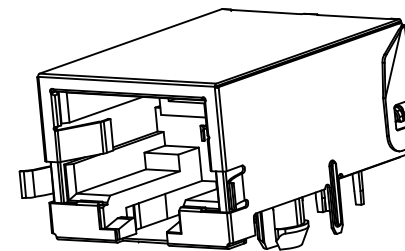
SHIELDING OPTION -B-
ENHANCED GROUND TABS



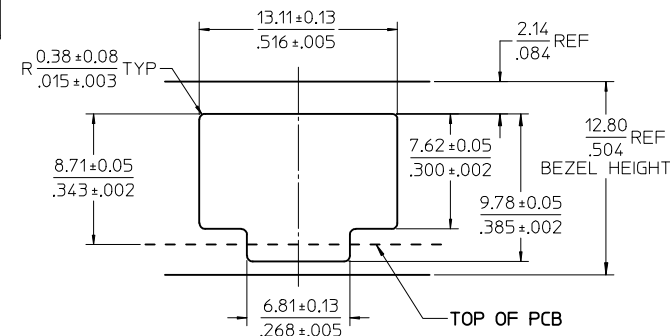
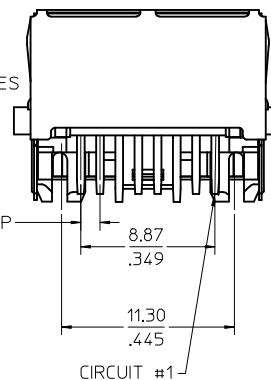
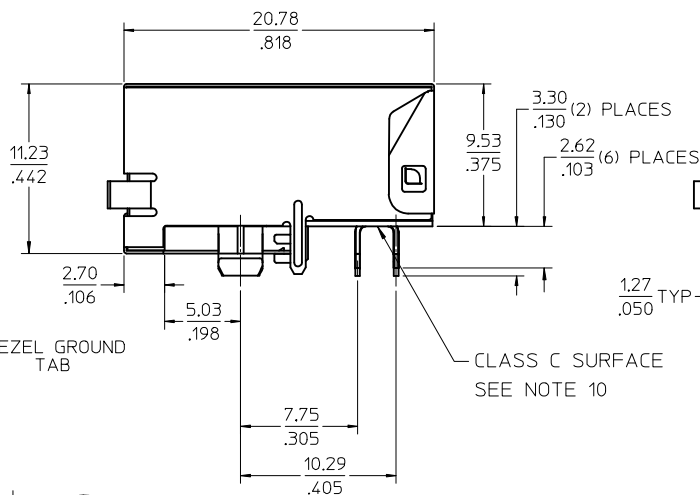
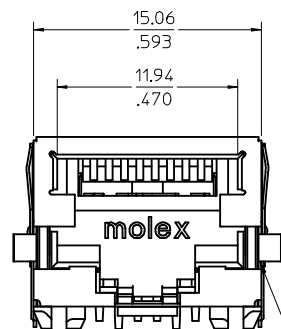
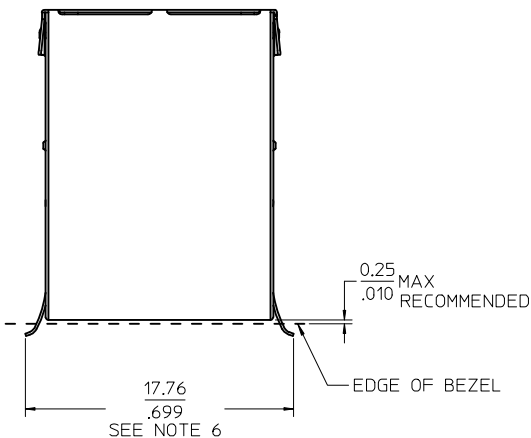
ASSEMBLY MATERIAL NUMBER	PEG STYLE	SHIELDING OPTION
446610001	SNAP-FIT	A
446610011	SNAP-FIT	B
446611001	PRESS-FIT	A
446611011	PRESS-FIT	B

SEE SHEET 1 EC NO: UCP2014-0570 DRW: NGUYEN 2013/08/26 CHKD: BELL 2013/08/26 APPR: FSM/TH 2013/09/13 G4	QUALITY SYMBOLS ∇=0 ∇=0 ∇=0	GENERAL TOLERANCES (UNLESS SPECIFIED) mm INCH 4 PLACES ± --- ± --- 3 PLACES ± --- ± .012 2 PLACES ± 0.30 ± --- 1 PLACE ± --- ± --- 0 PLACE ± ±	DIMENSION STYLE MM/IN DRAWN BY DATE MKAMAR 00/04/07 CHECKED BY DATE MKAMAR 00/04/07 APPROVED BY DATE JROBERTS 00/04/07	SCALE 4:1 DESIGN UNITS INCH THIRD ANGLE PROJECTION	COMPACT SINGLE PORT CATEGORY 5E MODJACK molex SD-44661-001 SHEET NO. 2 OF 4
	ANGULAR ±1/2° DRAFT WHERE APPLICABLE MUST REMAIN WITHIN DIMENSIONS		MATERIAL NO. SEE CHART	DOCUMENT NO. SD-44661-001	THIS DRAWING CONTAINS INFORMATION THAT IS PROPRIETARY TO MOLEX INCORPORATED AND SHOULD NOT BE USED WITHOUT WRITTEN PERMISSION

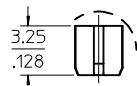
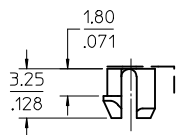
- NOTES:
- 1) MATERIAL:
HOUSING: NYLON (PA), GLASS FILLED, UL94V-0, COLOR: BLACK
TERMINALS: PHOSPHOR BRONZE
SHIELD: BRASS, 0.18 / .007 THICK
 - 2) FINISH:
TERMINALS:
SELECT GOLD IN CONTACT AREA: 1.27 MICROMETERS / 50 MICROINCHES MIN.
SELECT MATTE TIN IN PC TAIL AREA: 2.54 MICROMETERS / 100 MICROINCHES MIN.,
WITH OVERALL NICKEL UNDERPLATE: 1.27 MICROMETERS / 50 MICROINCHES MIN.
SHIELD:
2.54 MICROMETERS / 100 MICROINCHES NICKEL OVER 1.27 MICROMETERS /
50 MICROINCHES COPPER UNDERPLATE; PCB GROUND TABS DIPPED IN TIN.
 - 3) PRODUCT SPECIFICATION AND PROCESSING PARAMETERS: PS-44560-003.
 - 4) PACKAGING SPECIFICATION:
CONNECTOR PACKAGED IN TRAYS PER MOLEX PACKAGING
SPECIFICATION PK-44661-004.
 - 5) CONFORMS TO FCC REGULATION PART 68.5 FOR MODULAR JACKS.
 - 6) THIS DIMENSION HAS A MAXIMUM OF 20.45/0.805 WHEN THE JACK IS INSTALLED
BEHIND THE BEZEL.
 - 7) SEE SHEET (4) OF (4) FOR PCB LAYOUT.
 - 8) ASSEMBLY AVAILABLE WITH EITHER SNAP-FIT OR PRESS-FIT PEGS. THIS
DRAWING SHOWS SNAP-FIT PEGS.
 - 9) TERMINAL LENGTHS MAY BE DIFFERENT FROM TERMINAL TO TERMINAL.
 - 10) THIS PART CONFORMS TO CLASS B REQUIREMENTS OF COSMETIC
SPECIFICATION PS-45499-002 WITH THE EXCEPTION OF THE SURFACE
INDICATED, WHICH IS A CLASS C SURFACE.
 - 11) THIS PRODUCT IS COMPLIANT TO ROHS DIRECTIVE 2002/95/EC AND ELV
ANNEX II OF DIRECTIVE 2000/53/EC.



SHIELDING OPTION -C-
BEZEL GROUND TABS



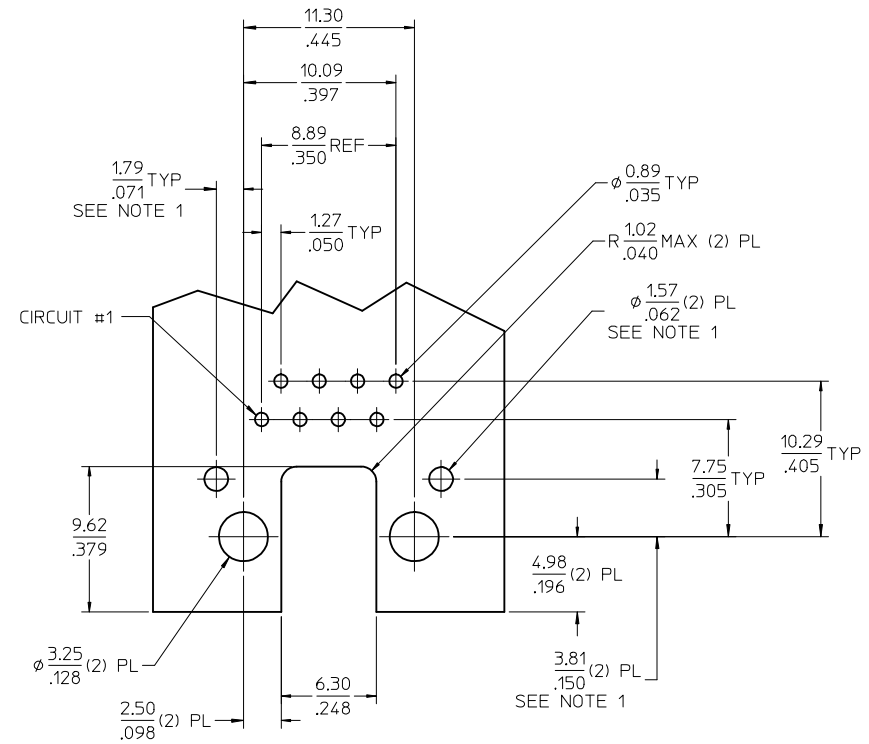
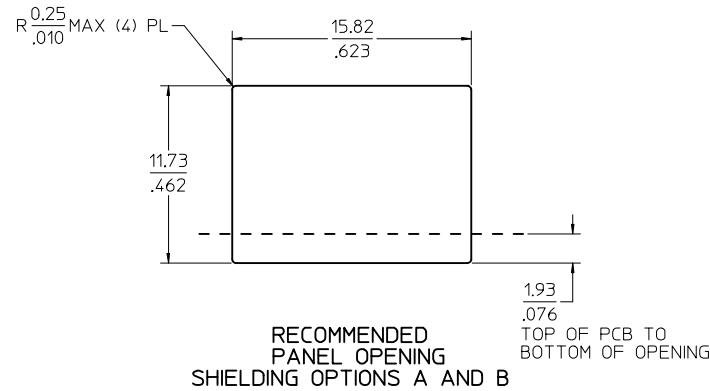
RECOMMENDED
PANEL OPENING
FOR PMC BEZEL ONLY



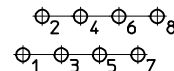
SNAP-FIT PEG PRESS-FIT PEG

SEE SHEET 1 EC NO: UCP2014-0570 DRAWN: NGUYEN 2013/08/26 CHKD: BELM 2013/08/26 APPR: FSMITH 2013/09/13	DESCRIPTION REV	QUALITY SYMBOLS	GENERAL TOLERANCES (UNLESS SPECIFIED)	DIMENSION STYLE	SCALE	DESIGN UNITS	THIRD ANGLE PROJECTION
		▽=0	mm INCH	MM/IN	4:1	INCH	☉
		▽=0	4 PLACES ± --- ± ---	DRAWN BY	DATE	TITLE	COMPACT SINGLE PORT CATEGORY 5E MODJACK
		▽=0	3 PLACES ± --- ± .012	MKAMAR	00/04/07	molex	
▽=0	2 PLACES ± 0.30 ± ---	CHECKED BY	DATE	DOCUMENT NO.			
▽=0	1 PLACE ± --- ± ---	MKAMAR	00/04/07	SD-44661-001			
G4	ANGULAR ±1/2°	0 PLACE ± ±	APPROVED BY	DATE	SHEET NO.		3 OF 4
	DRAFT WHERE APPLICABLE MUST REMAIN WITHIN DIMENSIONS		JROBERTS	00/04/07			
			MATERIAL NO.	SIZE	THIS DRAWING CONTAINS INFORMATION THAT IS PROPRIETARY TO MOLEX INCORPORATED AND SHOULD NOT BE USED WITHOUT WRITTEN PERMISSION		
			SEE CHART	C			

ASSEMBLY MATERIAL NUMBER	PEG STYLE
446610021	SNAP-FIT
446611021	PRESS-FIT



PCB LAYOUT : COMPONENT SIDE
RECOMMENDED PCB THICKNESS (SNAP-FIT PEG) : 1.57/.062
TOLERANCE ±.076/.003 UNLESS OTHERWISE SPECIFIED



NOTES:

1. DIMENSIONS REFER TO ASSEMBLIES WITH SHIELDING OPTION

SEE SHEET 1 EC NO: UCP2014-0570 DRAWN BY: DRWINHNGUYEN CHKD: J.BELL APPR: FSMITH	DESCRIPTION 2013/08/26 2013/08/26 2013/09/13	QUALITY SYMBOLS ▽=0 ▽=0 ▽=0	GENERAL TOLERANCES (UNLESS SPECIFIED)		DIMENSION STYLE MM/IN		SCALE 4:1	DESIGN UNITS INCH	THIRD ANGLE PROJECTION		
			mm	INCH	DRAWN BY MKAMAR	DATE 00/04/07	COMPACT SINGLE PORT CATEGORY 5E MODJACK				
			4 PLACES ± ---	± ---	CHECKED BY MKAMAR	DATE 00/04/07					
			3 PLACES ± ---	± .012	APPROVED BY JROBERTS	DATE 00/04/07	molex DOCUMENT NO. SD-44661-001 SHEET NO. 4 OF 4				
2 PLACES ± 0.30	± ---	DRAFT WHERE APPLICABLE MUST REMAIN WITHIN DIMENSIONS		SEE CHART							
1 PLACE ± ---	± ---	ANGULAR ±1/2°		MATERIAL NO.		SIZE C		THIS DRAWING CONTAINS INFORMATION THAT IS PROPRIETARY TO MOLEX INCORPORATED AND SHOULD NOT BE USED WITHOUT WRITTEN PERMISSION			
0 PLACE ±	±										