

55075 Hall Effect Geartooth Speed Sensor



Features

- Rotary position geartooth sensor
- Stainless steel M12 threaded barrel
- Electronic protection against severe and automotive environments
- Self adjusting magnetic range
- 3 wire (voltage output)
- EMC Protection (consult Hamlin)
- Short circuit/reverse voltage protection

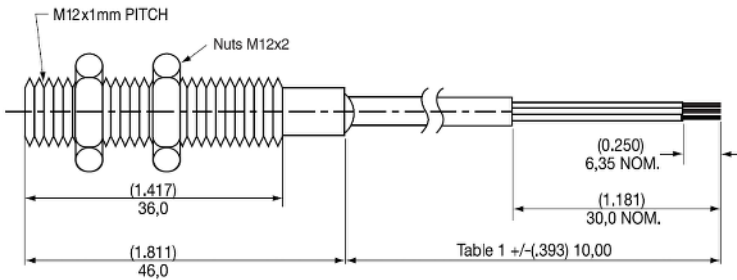
Benefits

- Long life; up to 20 billion operations
- High speed operation
- No chopper delay
- Unaffected by harsh environments
- Rotary orientation not critical
- On-chip 10 bit A/D converter
- Customer selection of cable length and connector type

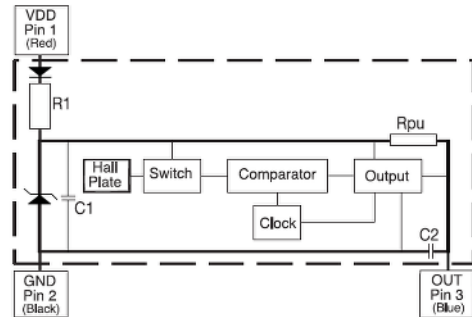
Applications

- Geartooth sensor
- Camshaft sensor
- Linear encoder
- Rotary encoder

DIMENSIONS (in) mm



BLOCK DIAGRAM

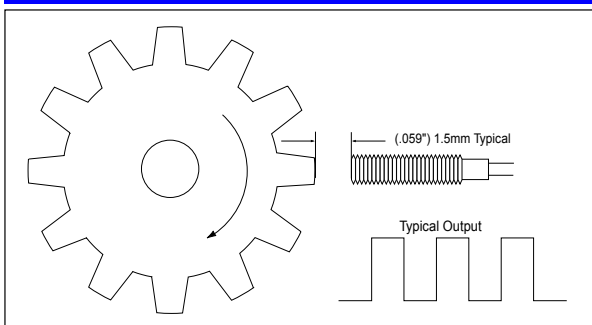


SPECIFICATIONS

Hall Type			Digital Switch 3 Wire (Voltage Output)
Supply Voltage (Note1)	Maximum Operation Overvoltage Protection	Vdc Vdc Vdc - max.	-25 to +25.2 4.75 to 25.2 27
Output High Voltage		Vdc - min.	VDD - 2 (sinking output with internal pull-up resistor)
Output Low Voltage		Vdc - max.	0.6 @20mA
Output Current (continuously on)		mA - max.	20
Current Consumption		mA - min. mA - max.	1 10.5
Switching Speed		KHz-max.	15
Temperature	Operating Storage	°C °C	-40 to +85 -65 to +85

Note 1: As long as Tj (Junction Temperature) is not exceeded.

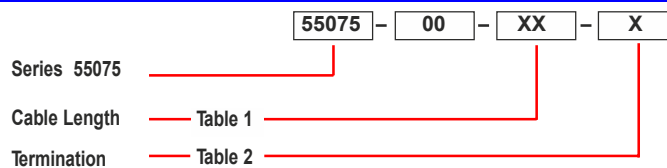
APPLICATION EXAMPLE - Geartooth Sensor



CUSTOMER OPTIONS - Cable Length and Terminations

Table 1		Table 2	
Cable Length Options: (Cable Type 24 AWG 7/32 PVC 105°C Double Insulated)		Termination Options:	
Select Option	Cable Length (in) mm	Select Option	Description
01	(3.94) 100	A	Tinned leads
02	(11.81) 300	C	6.35mm fastons
03	(19.69) 500	D	AMP MTE 2.54mm pitch
04	(29.53) 750	E	Jst xhp 2,5mm pitch
05	(39.37) 1000		

ORDERING INFORMATION



Hamlin USA Tel: +1 920 648 3000 • Fax: +1 920 648 3001 • Email: sales.us@hamlin.com
 Hamlin Europe Tel: +44 (0)1603 257700 • Fax: +44 (0)1603 257702 • Email: sales.uk@hamlin.com
 Hamlin China Tel: +86 (0) 512 69365 800 • Fax: +86 (0) 512 69365 811 • Email: sales.cn@hamlin.com