

4

3

2

1

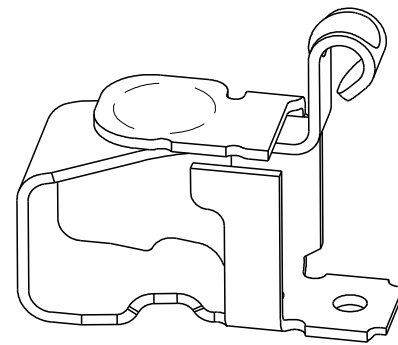
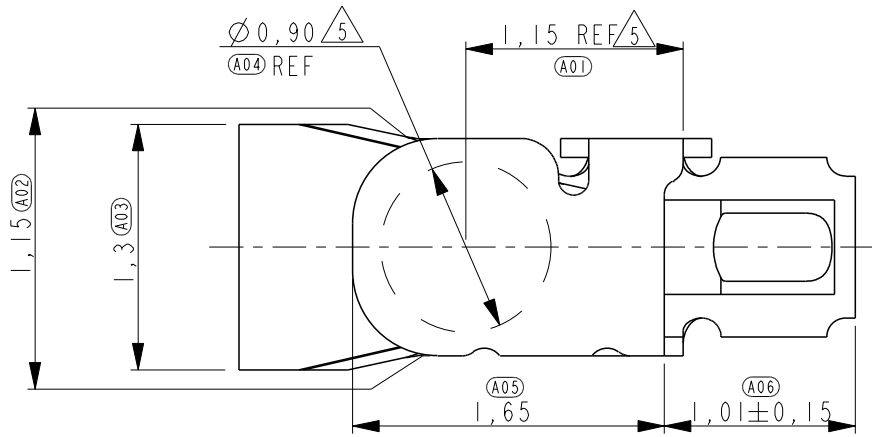
THIS DRAWING IS UNPUBLISHED.

RELEASED FOR PUBLICATION

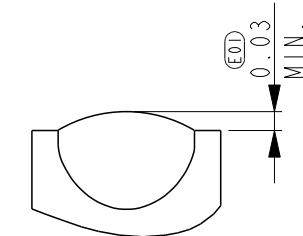
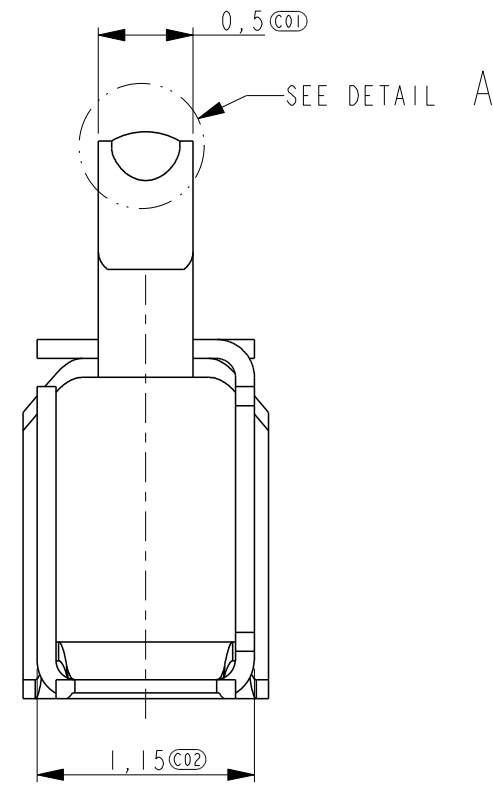
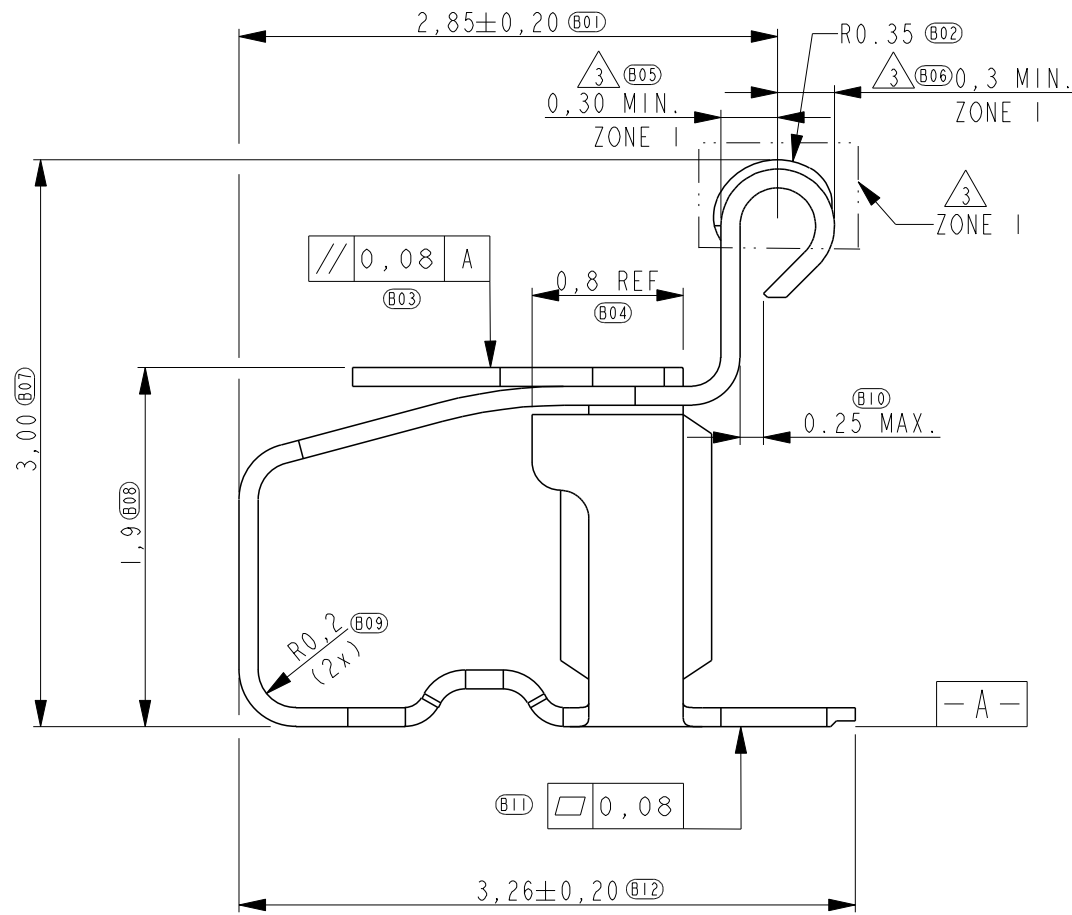
© COPYRIGHT - BY -

ALL RIGHTS RESERVED.

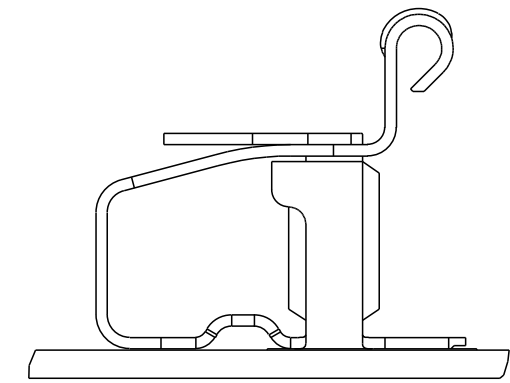
LOC	DIST	REVISIONS			
P	LTR	DESCRIPTION	DATE	DWN	APVD
ES	00	A	NEW RELEASE	18AUG2011	T.Z S.Y



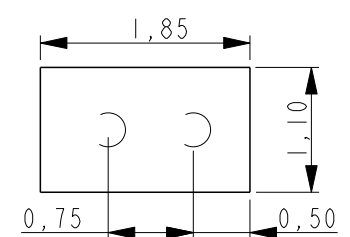
SCALE 15:1



DETAIL A SCALE 50:1

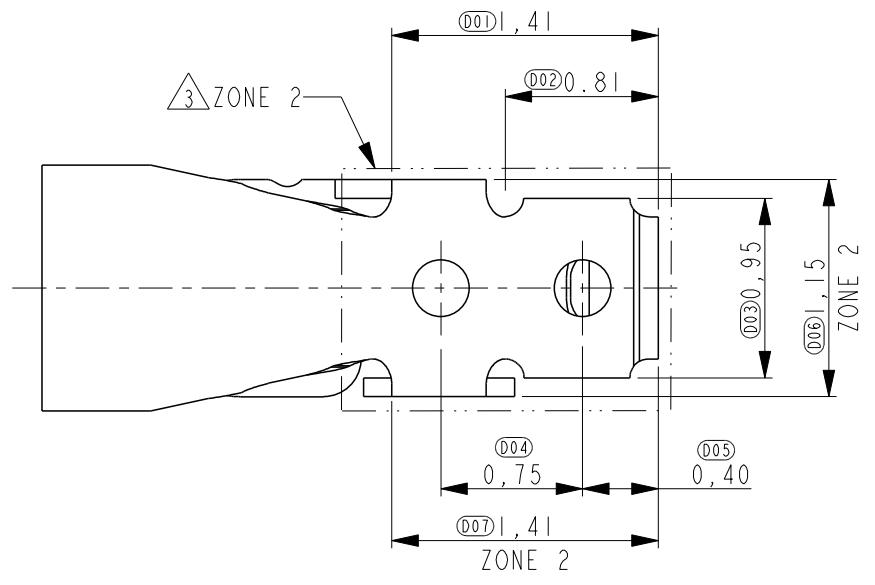


SCALE 15:1 REFERENCE VIEW FOR COMPONENT PLACEMENT



SCALE 15:1

RECOMMENDED PWB LAY-OUT (±0.05) DASHED CIRCLES ARE THE LOCATION OF THE SPRING FINGER BOTTOM HOLES



- 1 PART NUMBER: 1551575-5 AS SHOWN.
- 2 MATERIAL: STAINLESS STEEL.
- 3 PLATING: 1,3um MIN. NICKEL UNDERLAYER ALL OVER
ZONE 1: 0,30um MIN. GOLD
ZONE 2: 0.05-0.2um GOLD FLASH
- 4 NORMAL FORCE: 0.6 ± 0.2N AT NOMINAL HEIGHT 2.4MM
- 5 INDICATED SURFACE TO BE USED AS PICK AND PLACE SURFACE.

THIS DRAWING IS A CONTROLLED DOCUMENT.		DWN 22JUN2010 Tony Zhang		TE Connectivity	
		CHK 22JUN2010 Harada Yohei			
DIMENSIONS: mm		TOLERANCES UNLESS OTHERWISE SPECIFIED:		NAME SPRING FINGER H=3.0mm	
		0 PLC ±0.2		APVD 22JUN2010 Steven Yao	
		1 PLC ±0.1		PRODUCT SPEC 108-115008	
		2 PLC ±0.1		APPLICATION SPEC	
		3 PLC ±0.05		SIZE CAGE CODE DRAWING NO	
		4 PLC ±		A3 00779 C=1551575	
		ANGLES ±5°		RESTRICTED TO	
MATERIAL 2		FINISH 3		WEIGHT 0.0095	
				CUSTOMER DRAWING	
				SCALE 25:1	
				SHEET 1 OF 2	
				REV A	

4

3

2

1

THIS DRAWING IS UNPUBLISHED.

RELEASED FOR PUBLICATION

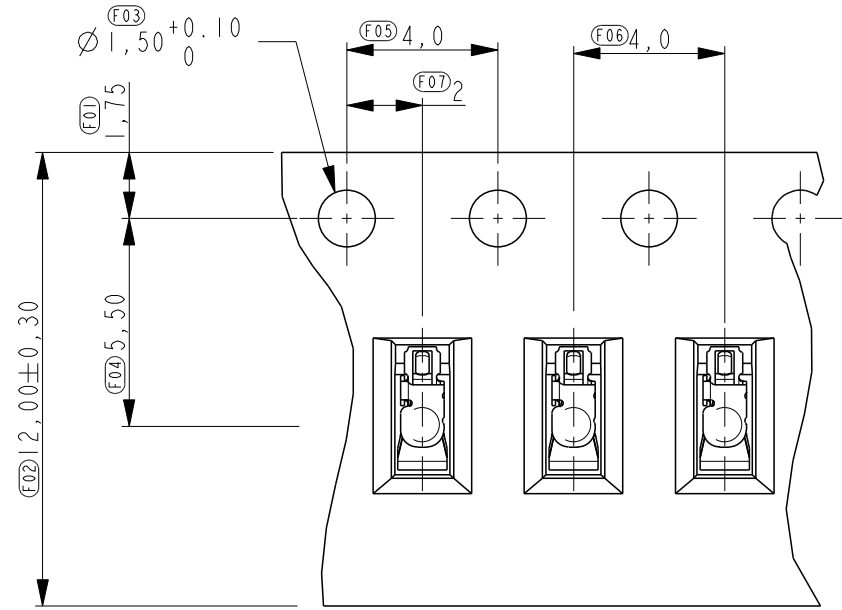
© COPYRIGHT - BY -

ALL RIGHTS RESERVED.

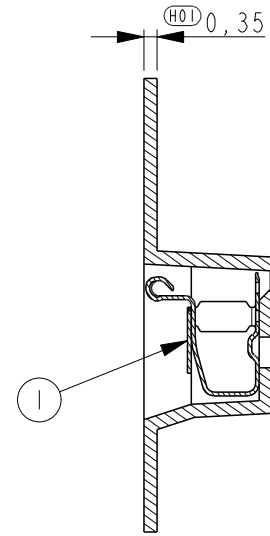
LOC ES DIST 00

REVISIONS

P	LTR	DESCRIPTION	DATE	DWN	APVD
-	-	SEE SHEET 1	-	-	-

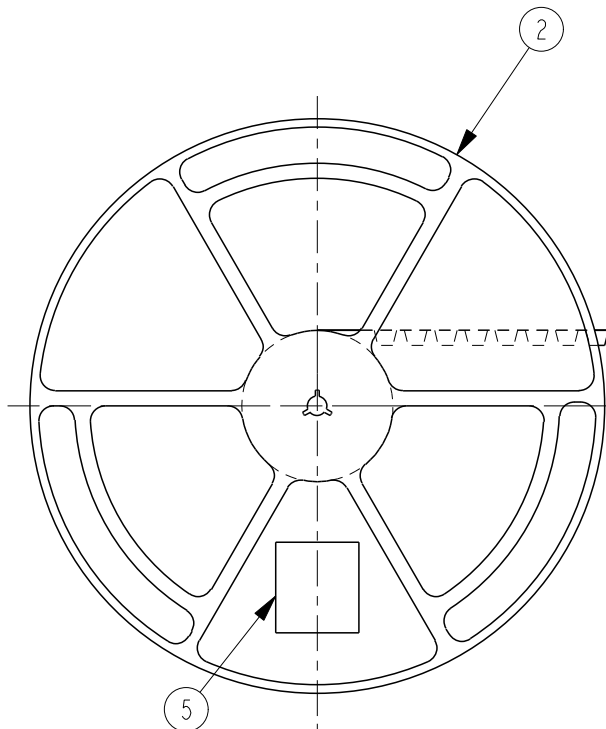
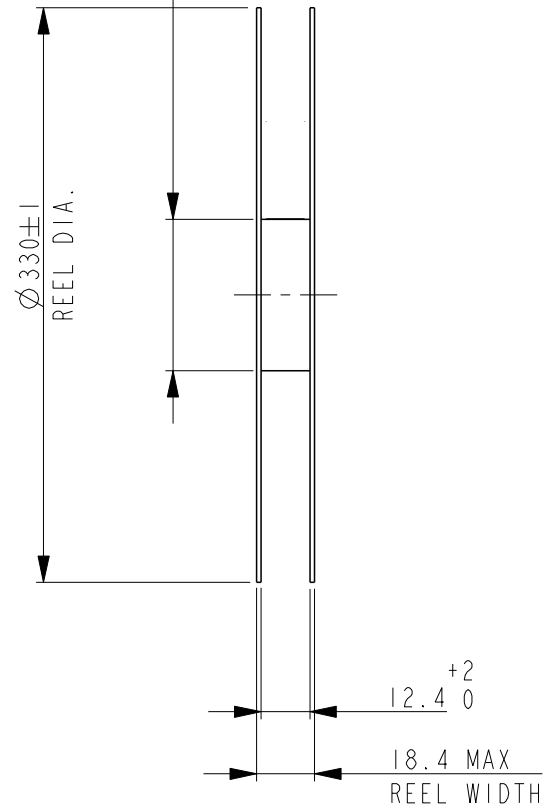


SCALE 5:1



SECTION C-C

FRANGE CORE DIA
Ø100±1



1000mm REF
WEEDING THE COVER TAPE.

165°~180°
PEELING ANGLE
0.1~1.3N(300mm/min)
PEELING STRENGTH

I	LABEL	(5)
I	COVER TAPE	(4)
I	EMBOSS	(3)
I	PLASTIC REEL	(2)
4000	SPRING FINGER	(1)
QTY	DESCRIPTION	ITEM

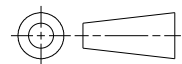
300 REF
WITHOUT CHARGE

WITH PRODUCT CHARGE
4000EA/IREEL

WITHOUT CHARGE
100~125HOLES

THIS DRAWING IS A CONTROLLED DOCUMENT.

DIMENSIONS:
mm



TOLERANCES UNLESS OTHERWISE SPECIFIED:

0 PLC	±0.2
1 PLC	±0.1
2 PLC	±0.1
3 PLC	±0.05
4 PLC	±
ANGLES	±5°

MATERIAL -

FINISH -

DWN

CHK

APVD

PRODUCT SPEC

APPLICATION SPEC

WEIGHT

CUSTOMER DRAWING



TE Connectivity

NAME

SPRING FINGER
H=3.0mm

SIZE

CAGE CODE

DRAWING NO

A3

00779

©=1551575

RESTRICTED TO

-

SCALE 25:1

SHEET 2 OF 2

REV A