

4

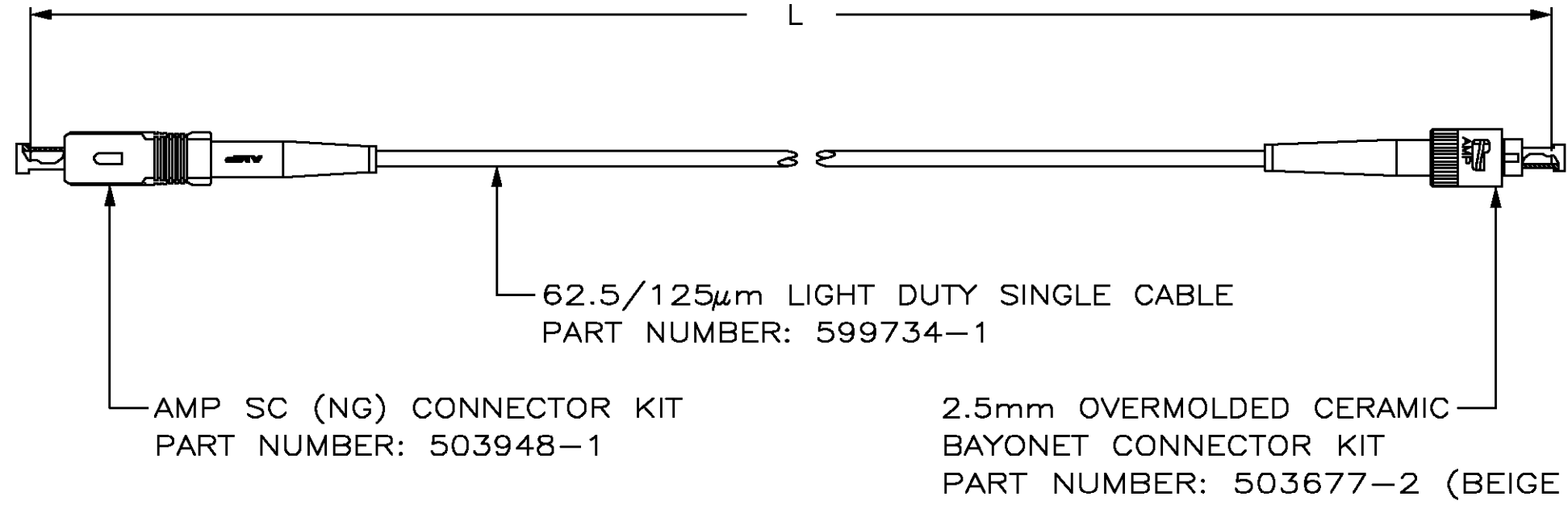
3

2

1

THIS DRAWING IS UNPUBLISHED. RELEASED FOR PUBLICATION .19
 © COPYRIGHT 19 BY AMP INCORPORATED. ALL RIGHTS RESERVED.

LOC	DIST	REVISIONS			
P	LTR	DESCRIPTION	DATE	DWN	APVD
CE	16	F	REVISE PER 0A00-0370-99	20APR99	CK NM



6.1±0.08 [240±3]	1-504972-2
100±1.0 [3937±39]	1-504972-1
70±0.70 [2756±28]	1-504972-0
60±0.60 [2362±24]	504972-9
50±0.50 [1969±20]	504972-8
20±0.3 [787±12]	504972-7
15±0.15 [591±6]	504972-6
10±0.15 [394±6]	504972-5
5±0.08 [197±3]	504972-4
3±0.05 [118±2]	504972-3
2±0.05 [79±2]	504972-2
1±0.05 [39±2]	504972-1
L	PART NUMBER

1. DIMENSIONS IN [] ARE IN INCHES.

THIS DRAWING IS A CONTROLLED DOCUMENT.		DWN S.URICH 20APR99	AMP Incorporated Harrisburg, PA 17105-3608											
DIMENSIONS: METERS ■ [INCHES]		CHK R.PAUL 23APR86												
TOLERANCES UNLESS OTHERWISE SPECIFIED:		APVD N.MILLER 24APR86												
<table border="1"> <tr><td>0 PLC</td><td>± -</td></tr> <tr><td>1 PLC</td><td>± -</td></tr> <tr><td>2 PLC</td><td>± -</td></tr> <tr><td>3 PLC</td><td>± -</td></tr> <tr><td>4 PLC</td><td>± -</td></tr> <tr><td>ANGLES</td><td>± -</td></tr> </table>		0 PLC		± -	1 PLC	± -	2 PLC	± -	3 PLC	± -	4 PLC	± -	ANGLES	± -
0 PLC	± -													
1 PLC	± -													
2 PLC	± -													
3 PLC	± -													
4 PLC	± -													
ANGLES	± -													
MATERIAL -	FINISH -	APPLICATION SPEC -	NAME CABLE ASSY, FIBER OPTIC, 62.5/125µm LDS,ds, AMP SC (NG) TO 2.5mm OVERMOLDED CERAMIC BAYONET, OPTIMATE											
		WEIGHT -	SIZE A3											
		CUSTOMER DRAWING	CAGE CODE 00779											
			DRAWING NO C=504972											
			RESTRICTED TO -											
			SCALE NTS											
			SHEET 1 OF 1											
			REV F											