

SPRING-LOADED CONNECTORS

SERIES 419, 430, 499 • .100" GRID TARGET CONNECTORS FOR SPRING-LOADED ASSEMBLIES • DOUBLE ROW STRIPS

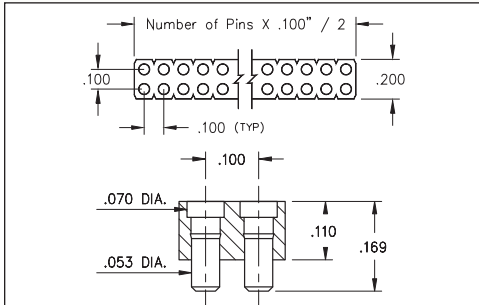


Fig. 1 and Fig. 2 Coplanarity .005". For pin counts >20 positions, consult Technical Support.

FIG. 1

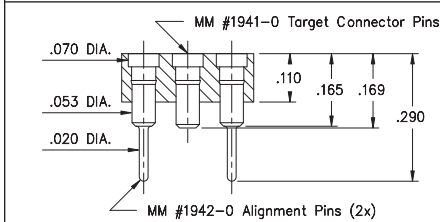


FIG. 2

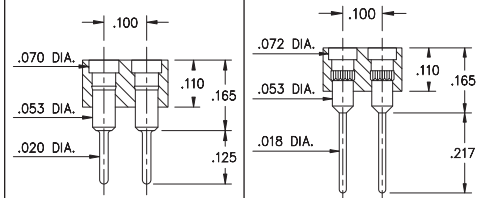


FIG. 3

FIG. 4

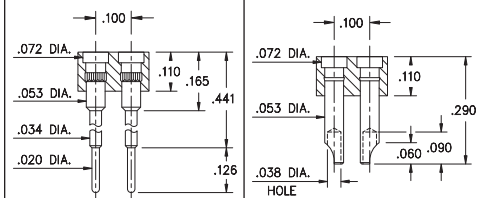


FIG. 5

FIG. 6

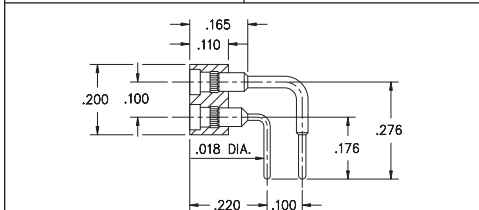
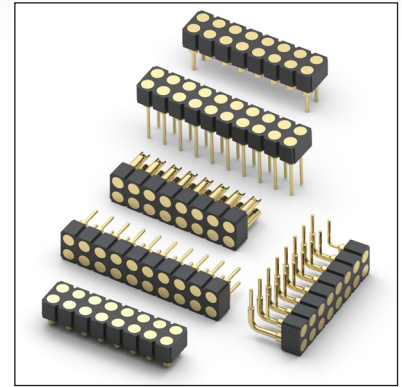


FIG. 7

- Series 419, 430 and 499 Spring Target Connectors, supplied in double row strips
- Spring Target Connectors present a large flat surface for making contact with our standard .042" dia. spring pin plungers. The target connectors provide an excellent gold-plated conductive path back to the board mounted spring pin connector
- Target connectors use MM #1938, #1940, #1941, #1942 and #3024 pins. See page 218 for details
- Insulators are high temperature thermoplastic



ORDERING INFORMATION

FIG. 1	Series 419...041 Surface Mount	419-10-2__-30-041000	Specify number of pins	04-64
	Series 419...042 Surface Mount w/ Alignments Pins	419-10-2__-30-042000	Specify number of pins	06-64
FIG. 3	Series 419...001 Standard Solder Tails	419-10-2__-00-001000	Specify number of pins	04-64
	Series 419...002 Long Solder Tails	419-10-2__-00-002000	Specify number of pins	04-64
FIG. 5	Series 419...005 Elevated with Solder Tails	419-10-2__-00-005000	Specify number of pins	04-64
	FIG. 6	Series 430...240 Solder Cups	430-10-2__-00-240000	Specify number of pins
FIG. 7		Series 499...008 Right Angle Solder Tails	499-10-2__-10-008000	Specify number of pins
	<div style="display: flex; justify-content: space-around; align-items: center;"> <div style="border: 1px solid black; padding: 5px; background-color: #90EE90;">RoHS-2 2011/65/EU</div> <div style="border: 1px solid black; border-radius: 50%; padding: 5px;">XX=Plating Code See Below</div> <div style="border: 1px solid black; border-radius: 50%; padding: 5px;">For Electrical, Mechanical & Enviromental Data, See page 264</div> </div>			
SPECIFY PLATING CODE XX=		10		
Pin Plating		10 μ" Au		