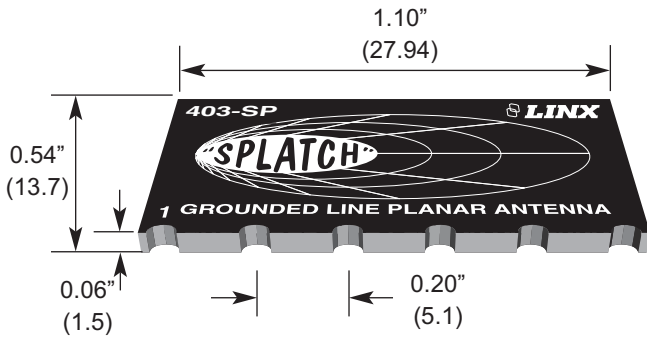
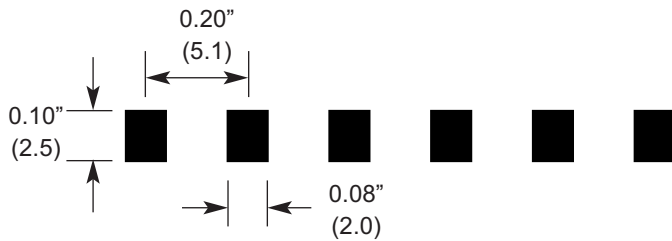


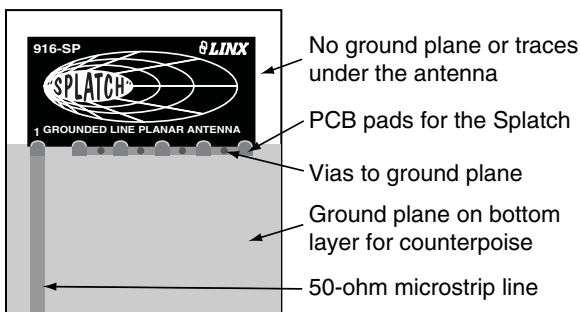
Product Dimensions



Recommended Footprint



Recommended Mounting



Description



The Splat uses a grounded-line technique to achieve outstanding performance from a tiny surface-mount element. This unique antenna is designed for hand- or reflow-mounting directly to a product's circuit board. Its low cost makes it ideal for volume applications. Unlike many compact antennas, the Splat exhibits good performance in proximity to objects and persons. While suitable for a wide range of RF applications, the 403 version was designed to cover the 402–405 MHz medical implant communication service (MICS) band.

Features

- Very low cost
- Ultra-compact package
- Direct PCB attachment
- Ideal for concealed / internal mounting
- Perfect for compact portable devices
- Suitable for hand- or reflow-assembly
- Resistant to proximity effects

Electrical Specifications

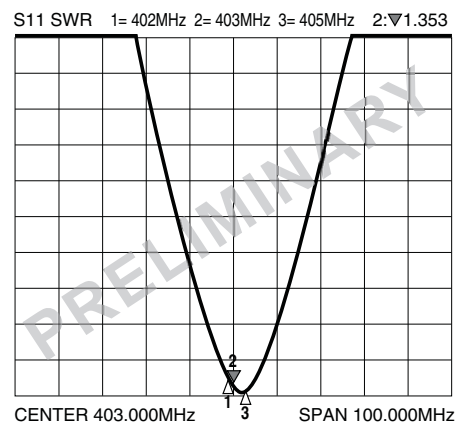
- Center Freq. 403MHz
- Bandwidth 5MHz
- Wavelength 1/4-wave
- VSWR ≤ 1.9 typ. at center
- Impedance 50 ohms
- Connection Surface-mount

Electrical specifications and plots measured on 1.50" x 3.30" reference ground plane

Ordering Information

- ANT-403-SP (supplied in tubes of 20 pieces)

VSWR Graph



Typical VSWR