



**THREE FLANGE DUAL PRIMARY 2.5VA PC BOARD POWER TRANSFORMER**



MODEL NUMBER  
**PL2.5-XX-130B**

REV. Status

REVISION -  
10/22/99 TS

REVISION A  
CHANGED F  
SEE PG. 2  
11/22/99 TS

REVISION B  
CORRECTION  
TO SCHEMATIC  
PAGE 2.  
12/13/00 TS

REVISION C  
ADDED RoHS &  
UPDATED LABEL.  
REMOVED CSA  
LR69223  
01/26/06 MP

REVISION D  
CHG TUV FILE #  
WAS 810/89  
(EN60950 & VDE  
0551). CLARIFIED  
PIN OUTS  
04/18/07 YS

REVISION E  
UPDATED SAFETY  
11/15/07 YS

REVISION F  
UPDATED SAFETY  
10/19/12 MP

REVISION G  
SAFETY NOTES  
ADDED  
03/20/13 MP

**A. Electrical Specifications (@ 25 °C)**

1. Maximum Power: 2.5VA
2. Primary Voltage and Frequency: 115/230VAC 50/60Hz
3. Secondary RMS rating: See tabulation in Table A
4. Voltage Regulation: 31% TYP @ full load to no load
5. Temperature Rise(normal op. cond.): 30°C TYP (45°C MAX)
6. A 10% Input Voltage change will proportionally affect transformer sec voltage. The max. allowed wdg temp under abnormal condition is 155°C
7. Insulation Resistance:  
100MΩ MIN @ 500VDC, Pri to Sec, Pri to Core, Sec to Core
8. Dielectric Withstand: 3750Vrms 1 minute @ Pri to Sec  
1500Vrms 1 minute @ Pri to Core, Sec to Core

**B. Marking: includes input and output ratings (per sheet 2)**

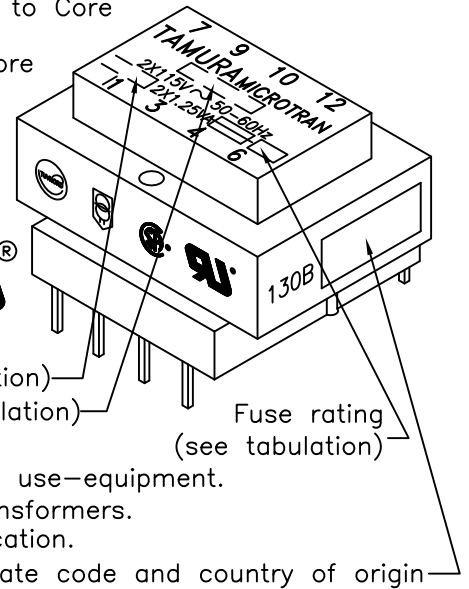
**C. Safety:**

Conforms to construction requirement of:  
UL5085-1, -2; CSA No. 66.1, 66.2  
(from Datecode 1244 and onwards).  
UL506, UL1411  
UL1446 (CLASS 130(B))  
EN61558-1, -2-6



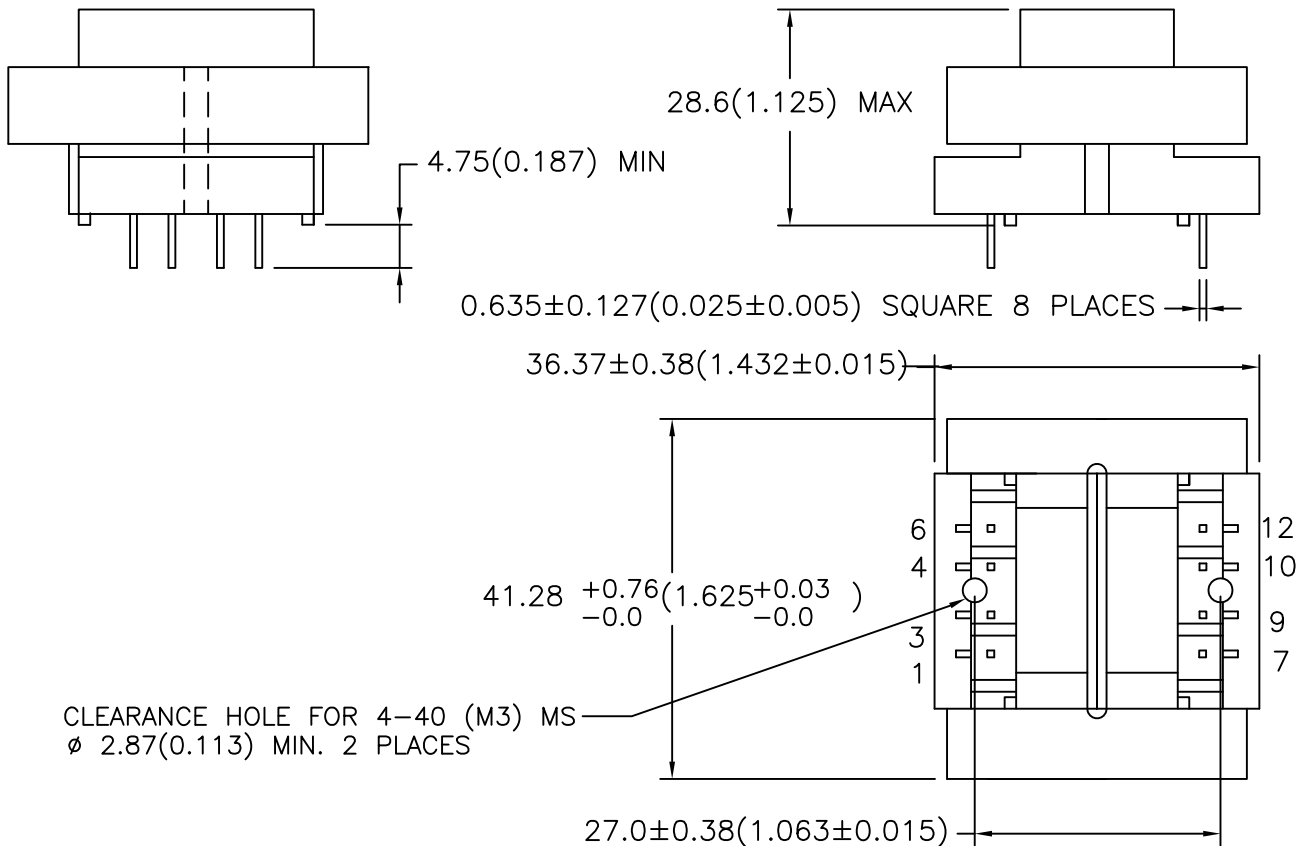
Safety certificate file reference:  
UL E138028, E79781, E92957  
CSA 175561  
TUV (P.S.) 4478013415698

Output (see tabulation)  
Part No. (see tabulation)  
Fuse rating (see tabulation)



Non short-circuit proof safety isolating transformer.  
Intended for mounting on PCBs and for building into end use-equipment.  
Not intended for series/parallel connection with other transformers.  
Mounting hardware may reduce spacing in end use application.

**D. Mechanical Specifications:**



TOLERANCES (mm)	
≤ 4	± 0.2
4 ≤ 20	± 0.3
20 ≤ 50	± 0.4

PREPARED BY:  
Mathi Pitchai

NOTE: BOARD WASHING IS NOT RECOMMENDED FOR THESE PARTS

ENGINEER:  
Mathi Pitchai

DWG CONTROL NO. REV  
P-A1-12226 G  
ACAD\MXFMR\A1122261.DWG

POWER TRANSFORMER

**PL2.5-XX-130B**

SAFETY ENGINEER  
B. Oconnel

CONTENTS OF THIS DRAWING ARE SUBJECT TO CHANGE WITHOUT PRIOR NOTICE

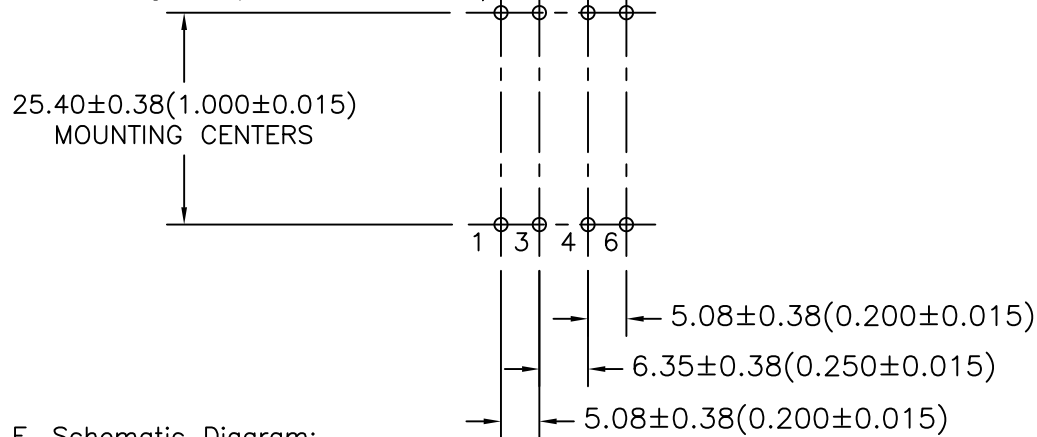
**TAMURA CORPORATION OF AMERICA**  
43352 BUSINESS PARK DRIVE, TEMECULA, CA. 92590-6624  
(951) 699-1270 FAX 9516769482

MODEL SPECIFICATION  
DIM: mm(In) SCL: 1/1 SH: 1 OF 2

APPROVED:  
Peter Brune

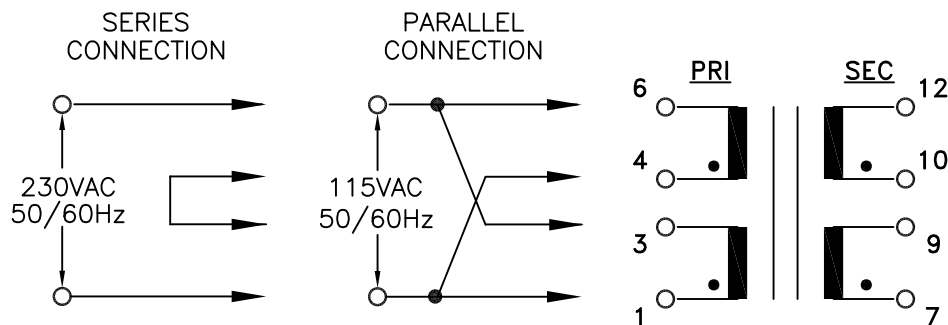
PROPRIETARY NOTICE: THIS DRAWING PRINT OR DOCUMENT AND SUBJECT MATTER DISCLOSED HEREIN ARE PROPRIETARY ITEMS TO WHICH TAMURA RETAINS THE EXCLUSIVE RIGHT OF DISSEMINATION, REPRODUCTION, MANUFACTURE AND SALE. THIS DRAWING, PRINT OR DOCUMENT IS SUBMITTED IN CONFIDENCE FOR CONSIDERATION BY THE RECIPIENT ALONE UNLESS PERMISSION FOR FURTHER DISCLOSURE IS EXPRESSLY GRANTED IN WRITING.

E. Mounting Footprint:

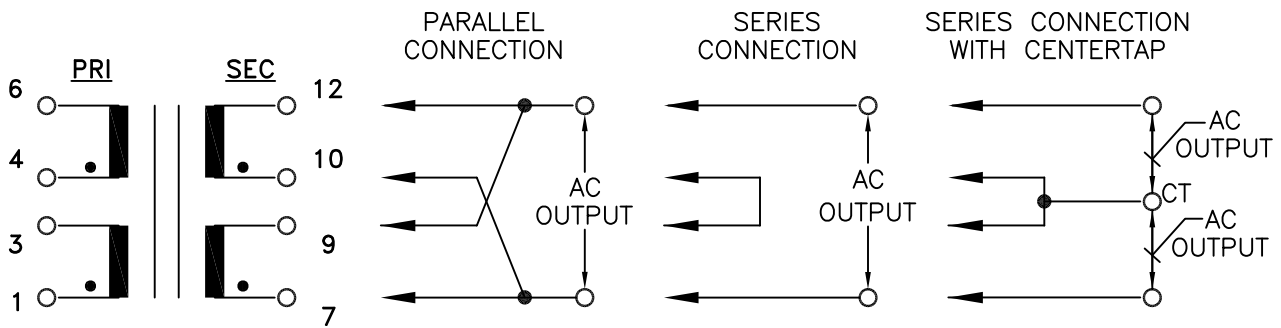


F. Schematic Diagram:

**PRIMARY INPUT CONNECTIONS**



**SECONDARY OUTPUT CONNECTIONS**



G. Table A:

T = Time lag

PART NO.	PARALLEL		SERIES		SERIES WITH CT		OUTPUT	SECONDARY FUSE REQ'D EA. WINDING
	AC VOLTS	RMS AMPS	AC VOLTS	RMS AMPS	AC VOLTS	RMS AMPS		
PL2.5-10-130B	5.0	0.50	10.0	0.25	5.0-CT-5.0	0.25	2X5.0V	T 0.25A
PL2.5-12-130B	6.3	0.40	12.6	0.20	6.3-CT-6.3	0.20	2X6.3V	T 0.20A
PL2.5-16-130B	8.0	0.30	16.0	0.15	8.0-CT-8.0	0.15	2X8.0V	T 0.16A
PL2.5-20-130B	10.0	0.24	20.0	0.12	10.0-CT-10.0	0.12	2X10.0V	T 0.125A
PL2.5-24-130B	12.0	0.20	24.0	0.10	12.0-CT-12.0	0.10	2X12.0V	T 0.10A
PL2.5-28-130B	14.0	0.18	28.0	0.09	14.0-CT-14.0	0.09	2X14.0V	T 0.10A
PL2.5-36-130B	18.0	0.14	36.0	0.07	18.0-CT-18.0	0.07	2X18.0V	T 0.08A

PREPARED BY:  
Mathi Pitchai

ENGINEER:  
Mathi Pitchai

SAFETY ENGINEER  
B. Oconnel

APPROVED:  
Peter Brune

DWG CONTROL NO.  
P-A1-12226  
ACAD\MXFMR\A1122262.DWG

REV  
G

POWER TRANSFORMER  
**TAMURA CORPORATION OF AMERICA**  
43352 BUSINESS PARK DRIVE, TEMECULA, CA. 92590-6624  
(951) 699-1270 FAX 9516769482

**PL2.5-XX-130B**

MODEL SPECIFICATION  
DIM: mm(In) SCL: 1/1 SH: 2 OF 2

PROPRIETARY NOTICE: THIS DRAWING PRINT OR DOCUMENT AND SUBJECT MATTER DISCLOSED HEREIN ARE PROPRIETARY ITEMS TO WHICH TAMURA RETAINS THE EXCLUSIVE RIGHT OF DISSEMINATION, REPRODUCTION, MANUFACTURE AND SALE. THIS DRAWING, PRINT OR DOCUMENT IS SUBMITTED IN CONFIDENCE FOR CONSIDERATION BY THE RECIPIENT ALONE UNLESS PERMISSION FOR FURTHER DISCLOSURE IS EXPRESSLY GRANTED IN WRITING.