

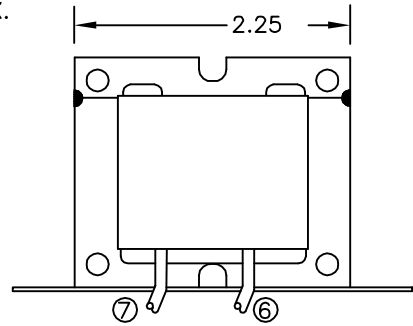
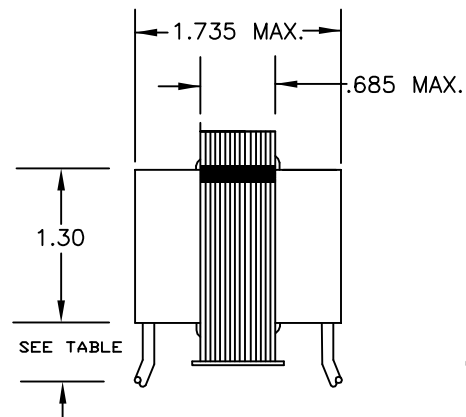
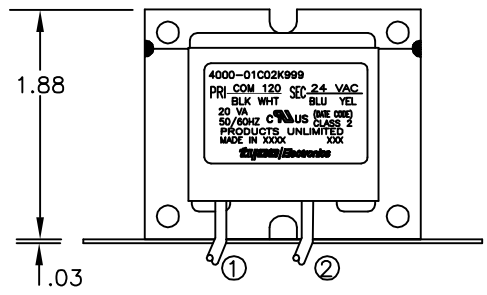
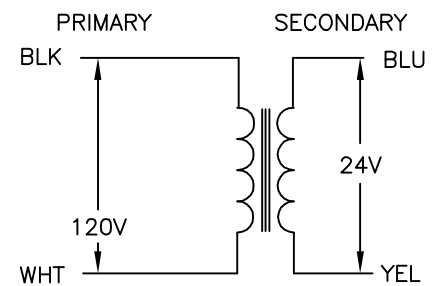
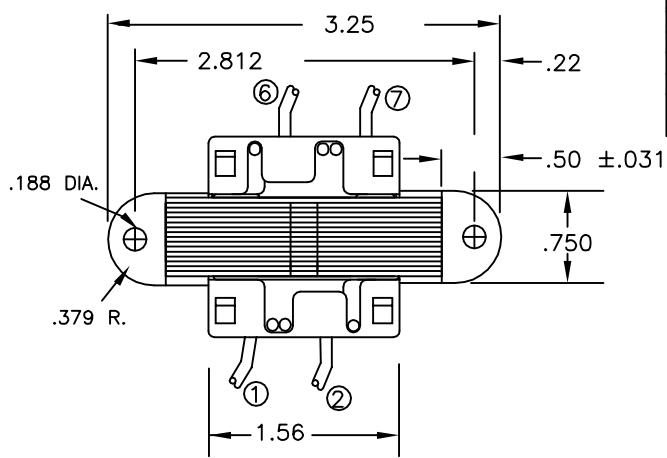
THIS DRAWING IS UNPUBLISHED. RELEASED FOR PUBLICATION
 © COPYRIGHT - BY TYCO ELECTRONICS CORPORATION. ALL RIGHTS RESERVED.

LOC	DIST	REVISIONS					
GZ	00	P	LTR	DESCRIPTION	DATE	DWN	APVD
		A		NEW FORMAT & EC0720-0054-04	02FEB04	MD	WS

ALL LEADS 18AWG-UNLESS OTHERWISE SPECIFIED					
PRIMARY					
LEAD NO.	1	2	3	4	5
VOLTAGE	COM	120			
COLOR	BLK	WHT			
LENGTH	12.0	12.0			
STRIP LENGTH	.50	.50			

- NOTES
1. DIMENSIONS FOR REFERENCE ONLY.
 2. ALL LEADS +1"/-0" TOL.
 3. STRIP TOL. ±1/32
 4. WINDING PROTECTION-INHERENTLY LIMITING

CERTIFICATION: UL & CUL FILE NO. E87824					
SECONDARY					
LEAD NO.	6	7	8	9	
VOLTAGE	24	VAC			
COLOR	BLU	YEL			
LENGTH	12.0	12.0			
STRIP LENGTH	.50	.50			



CUST. NO.	TYCO PART NUMBER
-	3-1611449-0

THIS DRAWING IS A CONTROLLED DOCUMENT.		DWN	M.DAVIS	02FEB04
		CHK	W.SORAH	02FEB04
		APVD	W.SORAH	02FEB04
		PRODUCT SPEC		
		APPLICATION SPEC		
		WEIGHT		
		CUSTOMER DRAWING		
DIMENSIONS:	TOLERANCES UNLESS OTHERWISE SPECIFIED:			
INCHES				
	0 PLC ± -			
	1 PLC ± -			
	2 PLC ± -			
	3 PLC ± -			
	4 PLC ± -			
	ANGLES ± 1'			
MATERIAL	FINISH			
-	-			

Products		Tyco Electronics Corporation	
Harrisburg, Pa 17105-3608		Harrisburg, Pa 17105-3608	
NAME			
TRANSFORMER OUTLINE			
-			
SIZE	CAGE CODE	DRAWING NO	RESTRICTED TO
A3	00779	C=4000-01C02K999	-
SCALE		SHEET	REV
NTS		1 OF 1	A