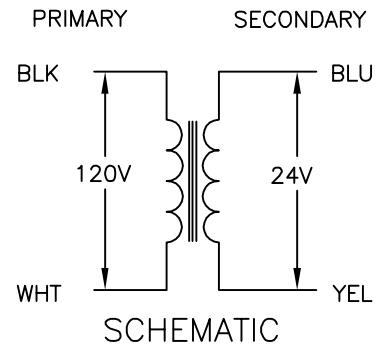
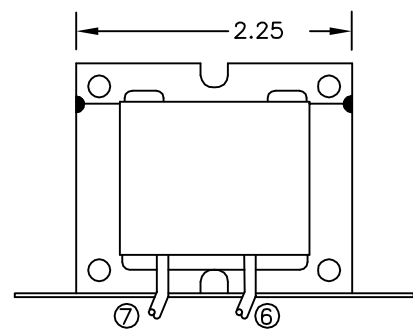
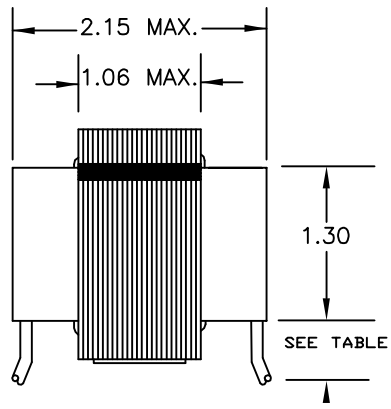
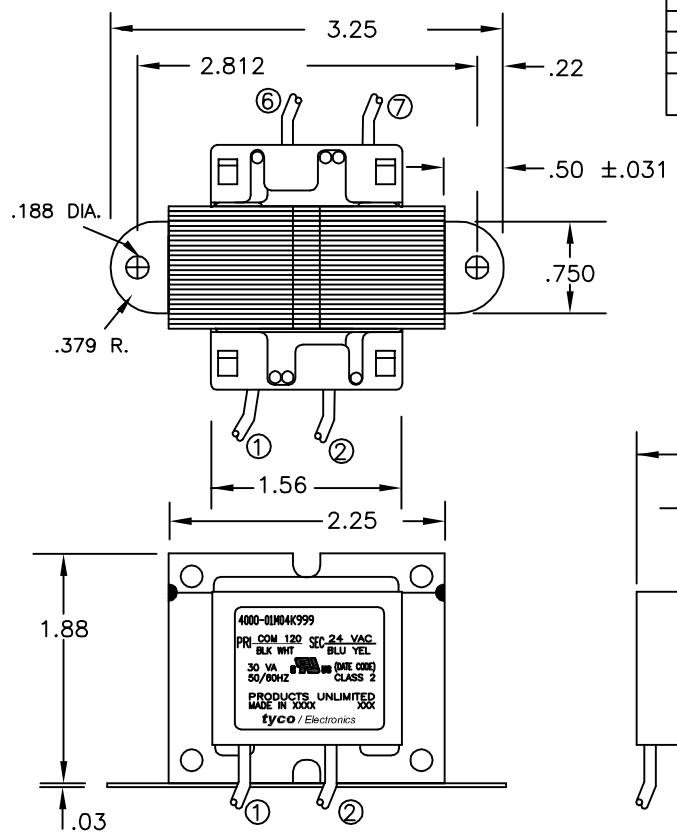


THIS DRAWING IS UNPUBLISHED. RELEASED FOR PUBLICATION  
 © COPYRIGHT - BY TYCO ELECTRONICS CORPORATION. ALL RIGHTS RESERVED.

LOC	DIST	REVISIONS					
GZ	00	P	LTR	DESCRIPTION	DATE	DWN	APVD
		A		NEWFORMAT & EC0720-0089-04	13FEB04	MD	KH

ALL LEADS 18AWG-UNLESS OTHERWISE SPECIFIED						NOTES 1. DIMENSIONS FOR REFERENCE ONLY. 2. ALL LEADS +1"/-0" TOL. 3. STRIP TOL. ±1/32 4. WINDING PROTECTION-INHERENTLY LIMITING				CERTIFICATION: UL & CUL FILE NO. E87824			
PRIMARY						SECONDARY							
LEAD NO.	1	2	3	4	5	LEAD NO.	6	7	8	9			
VOLTAGE	COM	120				VOLTAGE	24	VAC					
COLOR	BLK	WHT				COLOR	BLU	YEL					
LENGTH	12.0	12.0				LENGTH	12.0	12.0					
STRIP LENGTH	.50	.50				STRIP LENGTH	.50	.50					



4000-01M04K999  
 PRI COM 120 SEC 24 VAC  
 BLK WHT BLU YEL  
 30 VA (MIE CODE)  
 50/60HZ CLASS 2  
 PRODUCTS UNLIMITED  
 MADE IN USA  
 tyco / Electronics

CUST. NO. -		TYCO PART NUMBER 1-1611450-4			
CHK K.HOLSCHUH 13FEB04		Tyco Electronics Corporation Harrisburg, Pa 17105-3608			
APVD K.HOLSCHUH 13FEB04		NAME TRANSFORMER OUTLINE			
APPLICATION SPEC		-			
SIZE A3	CAGE CODE 00779	DRAWING NO. C=4000-01M04K999	RESTRICTED TO -		
CUSTOMER DRAWING		SCALE NTS	SHEET 1 OF 1	REV A	

DIMENSIONS: INCHES		TOLERANCES UNLESS OTHERWISE SPECIFIED:	
	0 PLC ± -	1 PLC ± -	2 PLC ± -
	3 PLC ± -	4 PLC ± -	ANGLES ± -
MATERIAL	FINISH		
-	-		