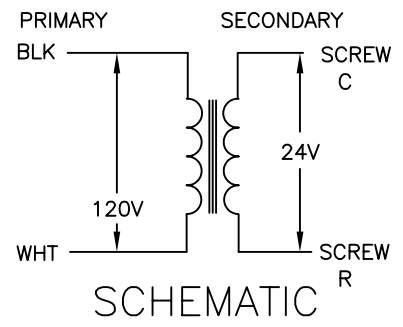
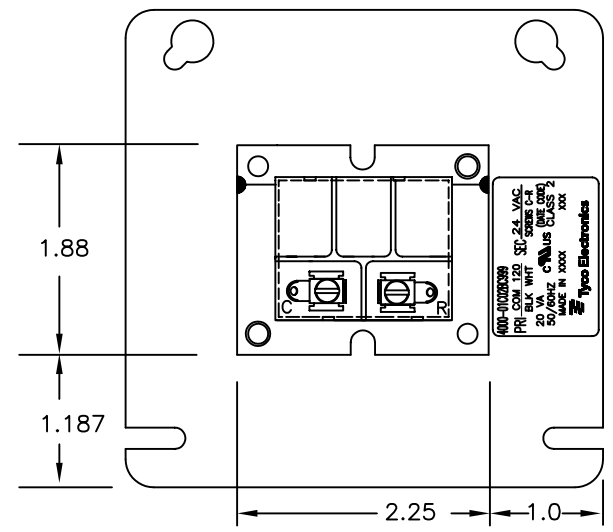
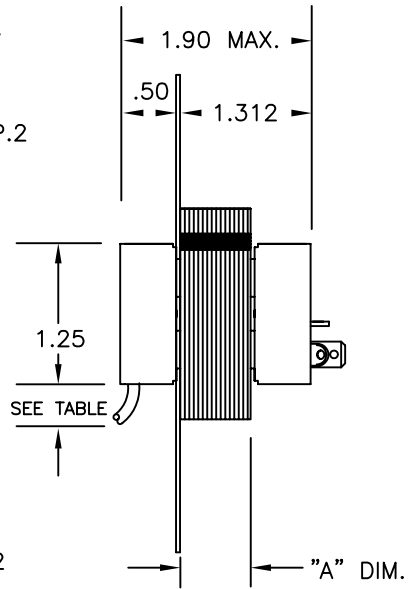
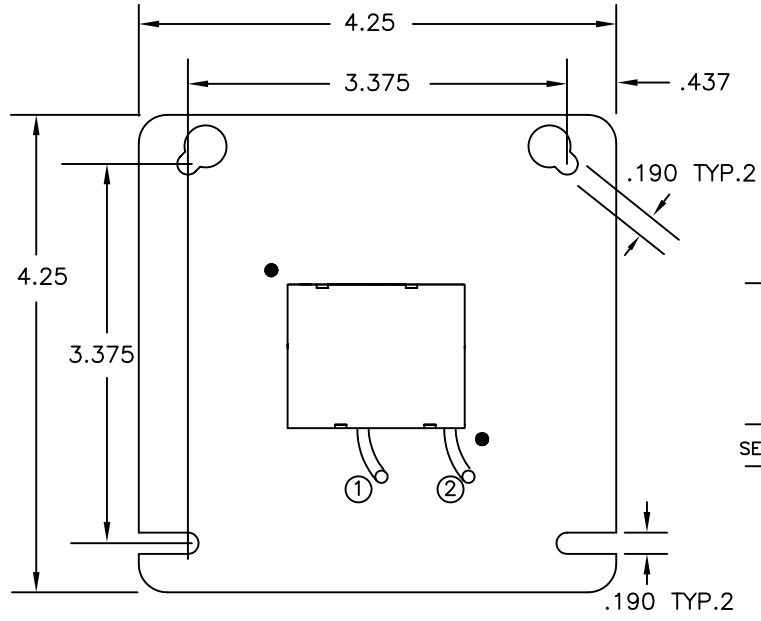


THIS DRAWING IS UNPUBLISHED. RELEASED FOR PUBLICATION
 © COPYRIGHT - BY TYCO ELECTRONICS CORPORATION. ALL RIGHTS RESERVED.

LOC		DIST		REVISIONS					
GZ		00		P	LTR	DESCRIPTION	DATE	DWN	APVD
				B		ECR-07-026802	09NOV07	KH	HT

ALL LEADS 18AWG-UNLESS OTHERWISE SPECIFIED				NOTES				CERTIFICATION:			
PRIMARY				1. DIMENSIONS FOR REFERENCE ONLY.				UL/CUL FILE NO. E87824			
				2. ALL LEADS +1"/-0" TOL.				SECONDARY			
				3. STRIP TOL ±1/32				TERM NO.			
				4. WINDING PROTECTION-INHERENTLY LIMITED				VOLTAGE			
LEAD NO.	1	2						6	7		
VOLTAGE	COM	120						24	VAC		
COLOR	BLK	WHT						TERMINAL	SCREW WITH QC.	TERM	
LENGTH	12.0	12.0						LETTER	C	R	
STRIP LENGTH	.50	.50									



TYCO ELECTRONICS PART NUMBER
 1-1611449-3

THIS DRAWING IS A CONTROLLED DOCUMENT.		DWN	K.H.	30JAN04	Tyco Electronics Corporation Harrisburg, PA 17105-3608
DIMENSIONS: INCHES		CHK	DH	30JAN04	
TOLERANCES UNLESS OTHERWISE SPECIFIED:		APVD	HT	30JAN04	
0 PLC ± - 1 PLC ± - 2 PLC ± .01 3 PLC ± .005 4 PLC ± - ANGLES ± -		PRODUCT SPEC		NAME	
MATERIAL		APPLICATION SPEC		TRANSFORMER OUTLINE P.U. STOCK	RESTRICTED TO
FINISH		WEIGHT		SIZE	CAGE CODE
				A3	00779
		CUSTOMER DRAWING		DRAWING NO	
				C=4000-01C02BC999	
		SCALE		SHEET	
		1:1		1 OF 1	
				REV	
				B	