

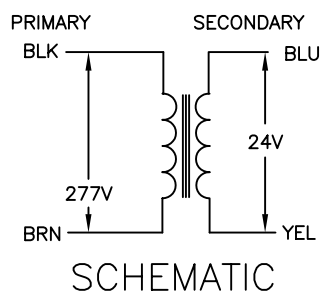
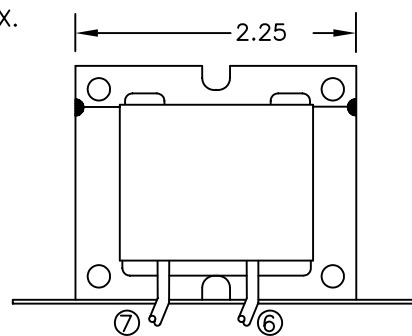
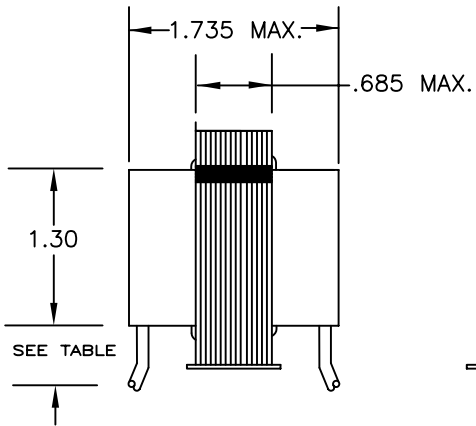
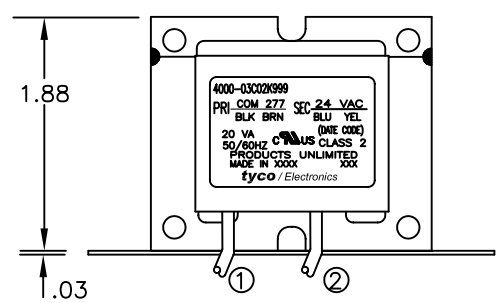
ALL LEADS 18AWG—UNLESS OTHERWISE SPECIFIED

PRIMARY					
LEAD NO.	1	2	3	4	5
VOLTAGE	COM	277			
COLOR	BLK	BRN			
LENGTH	12.0	12.0			
STRIP LENGTH	.50	.50			

NOTES
 1. DIMENSIONS FOR REFERENCE ONLY.
 2. WINDING PROTECTION—INHERENTLY LIMITING

CERTIFICATION:UL/CUL FILE NO E87824

SECONDARY				
LEAD NO.	6	7	8	9
VOLTAGE	24	VAC		
COLOR	BLU	YEL		
LENGTH	12.0	12.0		
STRIP LENGTH	.50	.50		



TYCO PART NUMBER
 6-1672104-1

THIS DRAWING IS A CONTROLLED DOCUMENT.		DWN	K.H.	13AUG03	 Tyco Electronics Corporation Harrisburg, PA 17105-3608				
DIMENSIONS: INCHES		CHK	DH	13AUG03					
TOLERANCES UNLESS OTHERWISE SPECIFIED:		APVD	HT	13AUG03					
0 PLC ± - 1 PLC ± - 2 PLC ± - 3 PLC ± - 4 PLC ± - ANGLES ± -		NAME		PRODUCT SPEC					
MATERIAL		FINISH		APPLICATION SPEC	TRANSFORMER OUTLINE P.U. STOCK				
		WEIGHT	-		SIZE	CAGE CODE	DRAWING NO	RESTRICTED TO	
		CUSTOMER DRAWING		SCALE	1:1	SHEET	1 OF 1	REV	0