

LOC	DIST	REVISIONS		
GZ	00	P	LTR	DESCRIPTION
		A		NEW FROMAT & EC0720-0054-04
			DATE	DWN
			02FEB04	MD
			APVD	WS

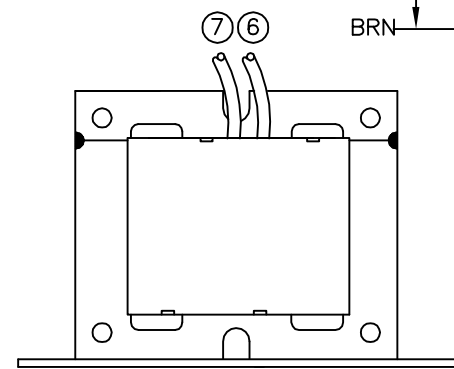
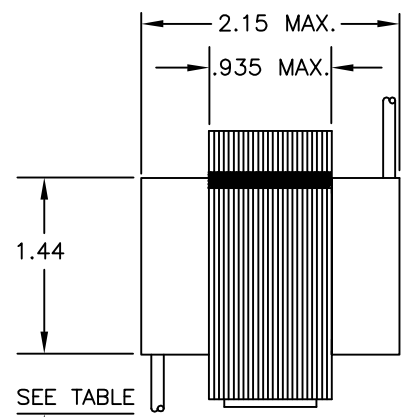
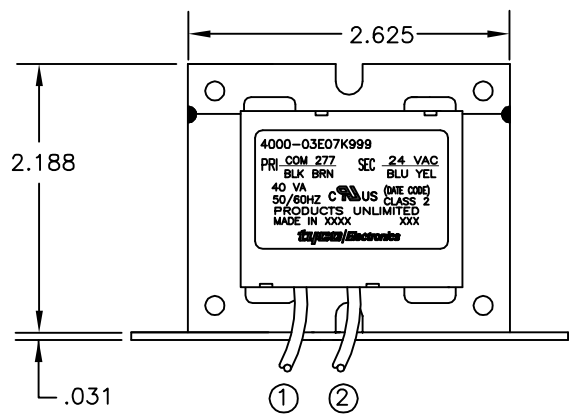
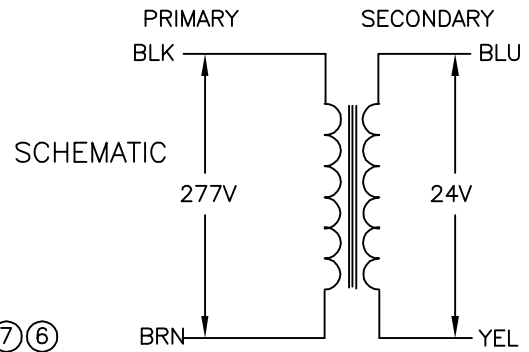
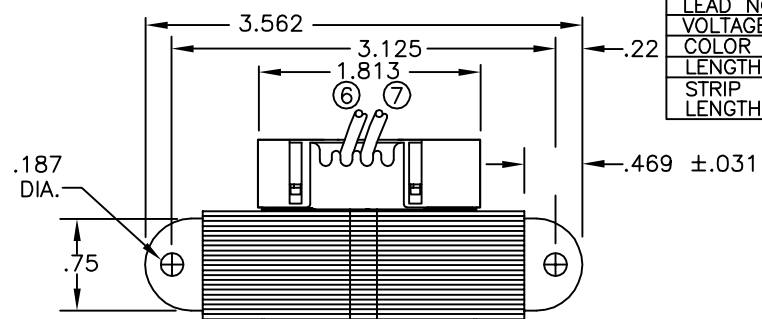
ALL LEADS 18AWG—UNLESS OTHERWISE SPECIFIED

PRIMARY					
LEAD NO.	1	2	3	4	5
VOLTAGE	COM	277			
COLOR	BLK	BRN			
LENGTH	12.0	12.0			
STRIP LENGTH	.50	.50			

NOTES
 1. DIMENSIONS FOR REFERENCE ONLY.
 2. ALL LEADS +1"/-0" TOL.
 3. STRIP TOL. ±1/32
 4. WINDING PROTECTION—INHERENTLY LIMITING

CERTIFICATION:
 UL & CUL FILE NO. E87824

SECONDARY				
LEAD NO.	6	7	8	9
VOLTAGE	24	VAC		
COLOR	BLU	YEL		
LENGTH	12.0	12.0		
STRIP LENGTH	.50	.50		



THIS DRAWING IS A CONTROLLED DOCUMENT.		DWN	M.DAVIS	02FEB04
DIMENSIONS:		CHK	W.SORAH	02FEB04
INCHES		APVD	W.SORAH	02FEB04
TOLERANCES UNLESS OTHERWISE SPECIFIED:		NAME		
0 PLC ± -		TRANSFORMER OUTLINE		
1 PLC ± -		-		
2 PLC ± -		SIZE		
3 PLC ± -		CAGE CODE		
4 PLC ± -		DRAWING NO		
ANGLES ± -		RESTRICTED TO		
MATERIAL		A3 00779 C=4000-03E07K999		
FINISH		SCALE		
-		NTS		
-		SHEET		
-		1 OF 1		
-		REV		
-		A		