

THIS DRAWING IS UNPUBLISHED. RELEASED FOR PUBLICATION
 © COPYRIGHT BY TYCO ELECTRONICS CORPORATION. ALL RIGHTS RESERVED.

LOC	DIST	REVISIONS		
GZ	00	P	LTR	DESCRIPTION
		B		EC0720-0095-03
			DATE	DWN
			17OCT03	MD
				APVD
				KH

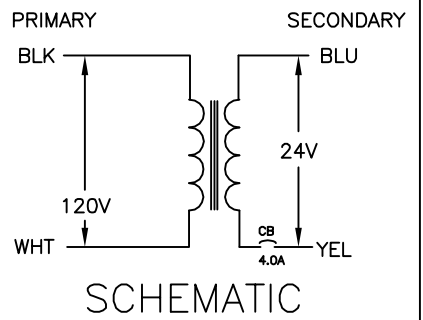
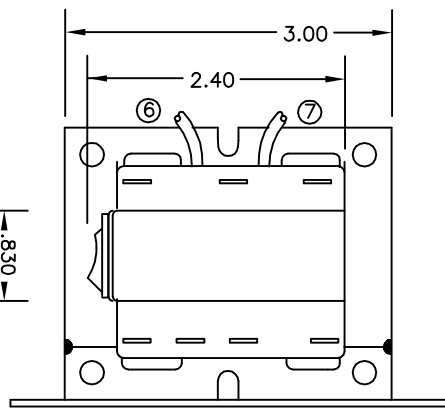
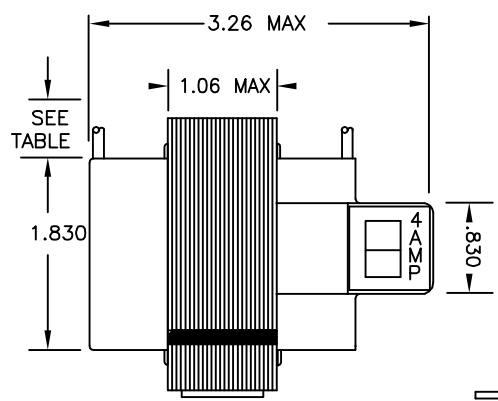
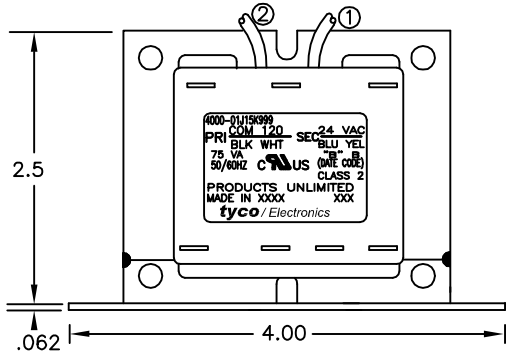
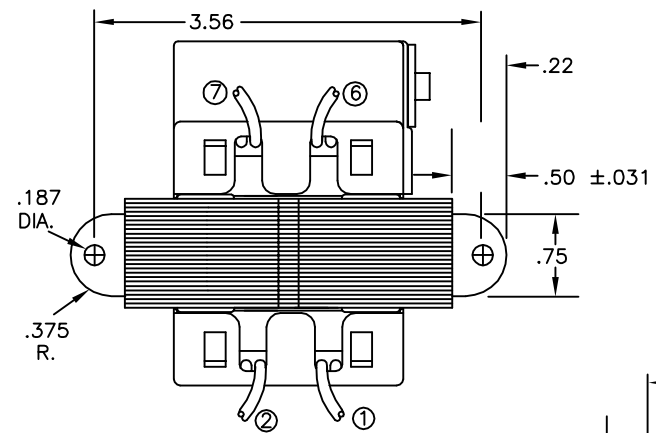
ALL LEADS 18AWG-UNLESS OTHERWISE SPECIFIED

PRIMARY					
LEAD NO.	1	2	3	4	5
VOLTAGE	COM	120			
COLOR	BLK	WHT			
LENGTH	12.0	12.0			
STRIP LENGTH	.50	.50			

NOTES
 1. DIMENSIONS FOR REFERENCE ONLY.
 2. ALL LEADS +1"/-0" TOL.
 3. STRIP TOL. ±1/32
 4. WINDING PROTECTION- INTERNALLY PROTECTED-4.0 AMP CIRCUIT BREAKER.

CERTIFICATION:
 UL & CUL FILE NO. E87824

SECONDARY				
LEAD NO.	6	7	8	9
VOLTAGE	24	VAC		
COLOR	BLU	YEL		
LENGTH	12.0	12.0		
STRIP LENGTH	.50	.50		



4000-01J15K999
 COM 120 SEC 24 VAC
 PRI BLK WHT SEC BLU YEL
 75 VA (WIRE CODE)
 50/60HZ CLASS 2
 PRODUCTS UNLIMITED
 MADE IN XXXX
 tyco Electronics

TYCO PART NUMBER
 2-1611468-1

THIS DRAWING IS A CONTROLLED DOCUMENT.		DWN K.H.	12FEB1997	Tyco Electronics Corporation Harrisburg, PA 17105-3608	
DIMENSIONS: INCHES	TOLERANCES UNLESS OTHERWISE SPECIFIED:	CHK -	APVD -	NAME TRANSFORMER OUTLINE	
	0 PLC ± -	PRODUCT SPEC -	APPLICATION SPEC -	SIZE A3	CAGE CODE 00779
	1 PLC ± -	WEIGHT -	CUSTOMER DRAWING	DRAWING NO C= 4000-01J15K999	RESTRICTED TO -
MATERIAL -	FINISH -	SCALE NONE		SHEET 1	OF 1
				REV B	