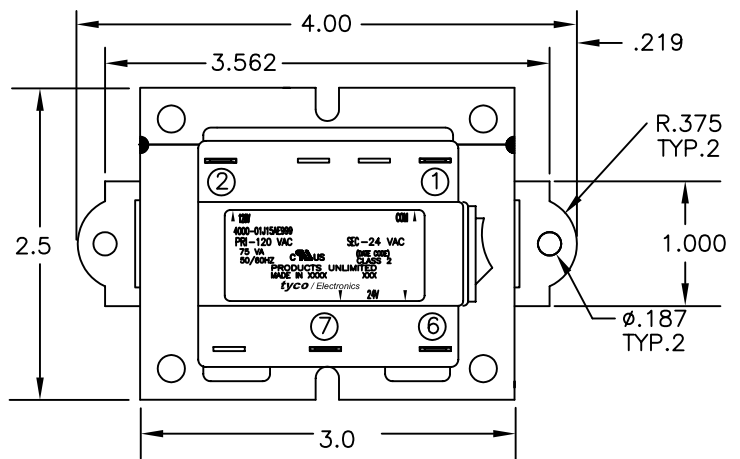


THIS DRAWING IS UNPUBLISHED. RELEASED FOR PUBLICATION
 © COPYRIGHT - BY TYCO ELECTRONICS CORPORATION. ALL RIGHTS RESERVED.

LOC		DIST		REVISIONS					
GZ		00		P	LTR	DESCRIPTION	DATE	DWN	APVD
				C		ECR-06-021562	12SEP06	KH	HT

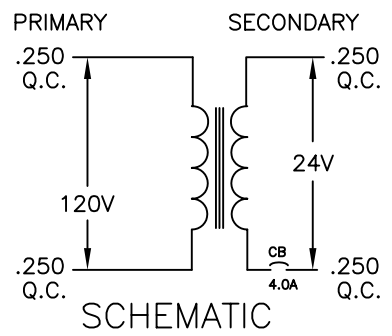
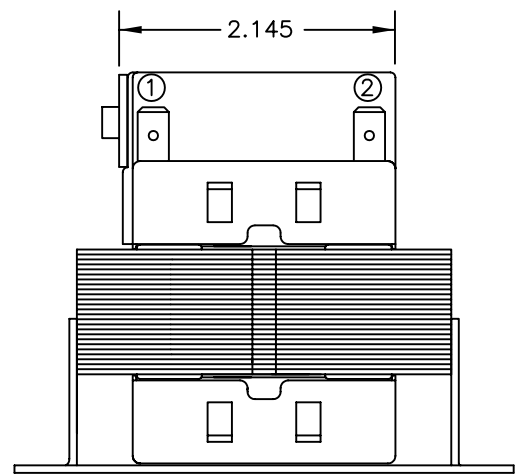
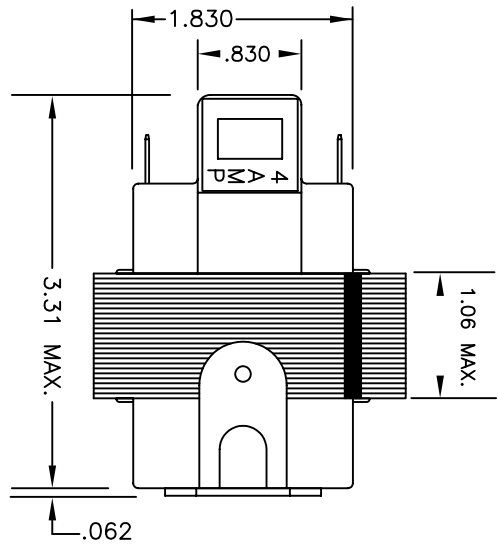
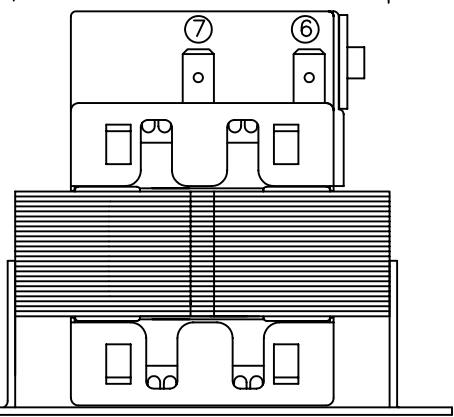


PRIMARY					SECONDARY				
TERM NO.	1	2	3	4	5	6	7	8	9
VOLTAGE	COM	120				24	VAC		
TERMINAL WIDTH	.250	.250				.250	.250		
TERMINAL THICKNESS	.032	.032				.032	.032		

NOTES:
 1. DIMENSIONS FOR REFERENCE ONLY.
 2. WINDING PROTECTION—4.0 AMP CIRCUIT BREAKER IN SECONDARY NON-NHERENTLY LIMITED

CERTIFICATION: UL/CUL FILE NO E87824

D
C
B
A



TYCO PART NUMBER
1611468-7

THIS DRAWING IS A CONTROLLED DOCUMENT.		DWN K.H.	21JAN03	<p>Tyco Electronics Corporation Harrisburg, PA 17105-3608</p>
DIMENSIONS: INCHES		CHK DH	21JAN03	
TOLERANCES UNLESS OTHERWISE SPECIFIED:		APVD HT	21JAN03	
0 PLC ± - 1 PLC ± - 2 PLC ± .01 3 PLC ± .005 4 PLC ± - ANGLES ± -		PRODUCT SPEC	-	
MATERIAL		APPLICATION SPEC	-	NAME
FINISH		WEIGHT	-	TRANSFORMER OUTLINE P.U. STOCK
		CUSTOMER DRAWING	SCALE 1:1	SIZE A3
			SHEET 1 OF 1	CAGE CODE 00779
			REV C	DRAWING NO C=4000-01J15AE999
				RESTRICTED TO