

# Low Voltage - P.C. Board Mount (183 Series)

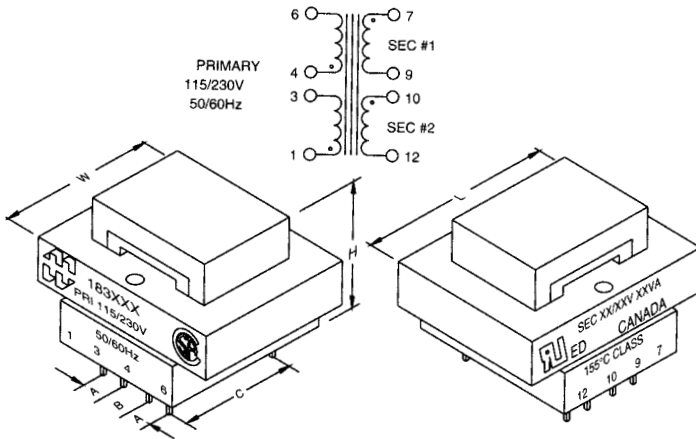
Power



## LOW VOLTAGE - P.C. BOARD MOUNT UNIVERSAL

- 14 output voltages to choose from (5 - 36 VAC R.M.S.)
- Six VA size models available from - 2.5 to 56VA
- Universal operation on 50/60 Hz current, 115 or 230V dual primary
- Low profile, split bobbin with top shroud design.
- Dual winding secondaries, non-concentrically wound
- Low primary to secondary coupling - no electrostatic shield required.
- High insulation - Hipot of 4,000V RMS.
- Class F insulation - 155 degrees C.
- Two hole mounting on 2.5, 5, 10 and 20VA sizes, four hole mounting on 30 and 56VA size (mounting screws not provided).
- P.C. board mount with industry standard pin spacing.
- CSA certified (# LR3902) and UL recognized (# E50394).

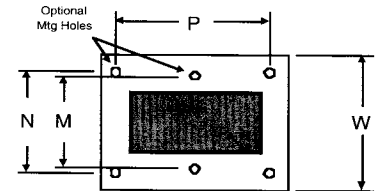
### 183 Series - Drawing & Schematic



Dimension Table

(VA) Size	Dimensions (Inches)									Pin Size (square)	Mtg. Screw	Lbs.
	L	W	H	A	B	C	M	N	P			
2.5	1 5/8	1 7/16	1 1/8	.20	.25	1.00	1 1/16	--	--	0.025"	#4	0.17
5	1 5/8	1 7/16	1 3/8	.20	.40	1.00	1 1/16	--	--	0.025"	#4	0.37
10	1 7/8	1 9/16	1 3/8	.20	.40	1.14	1 1/4	--	--	0.036"	#4	0.53
20	2 1/4	1 7/8	1 5/8	.40	.40	1.46	1 1/2	--	--	0.036"	#4	0.90
30	2 5/8	2 3/16	1 9/16	.55	.28	1.68	--	1 3/4	2 3/16	0.045"	#6	1.15
56	3	2 1/2	1 13/16	.60	.30	1.90	--	2	2 1/2	0.045"	#6	1.70

Part No. Dual Pri. 115/230V	Size VA	Secondary (RMS)	
		Series	Parallel
<b>183E10</b>	2.5	10V C.T. @ .25A	5V @ .5A
<b>183F10</b>	5	10V C.T. @ .5A	5V @ 1A
<b>183G10</b>	10	10V C.T. @ 1A	5V @ 2A
<b>183H10</b>	20	10V C.T. @ 2A	5V @ 4A
<b>183J10</b>	30	10V C.T. @ 3A	5V @ 6A
<b>183K10</b>	56	10V C.T. @ 5.6A	5V @ 11.2A
<b>183E12</b>	2.5	12.6V C.T. @ .2A	6.3V @ .4A
<b>183F12</b>	5	12.6V C.T. @ .4A	6.3V @ .8A
<b>183G12</b>	10	12.6V C.T. @ .8A	6.3V @ 1.6A
<b>183H12</b>	20	12.6V C.T. @ 1.6A	6.3V @ 3.2A
<b>183J12</b>	30	12.6V C.T. @ 2.4A	6.3V @ 4.8A
<b>183K12</b>	56	12.6V C.T. @ 4.4A	6.3V @ 8.8A
<b>183E16</b>	2.5	16V C.T. @ .15A	8V @ .3A
<b>183F16</b>	5	16V C.T. @ .31A	8V @ .62A
<b>183G16</b>	10	16V C.T. @ .625A	8V @ 1.25A
<b>183H16</b>	20	16V C.T. @ 1.25A	8V @ 2.5A
<b>183J16</b>	30	16V C.T. @ 1.9A	8V @ 3.8A
<b>183K16</b>	56	16V C.T. @ 3.5A	8V @ 7A
<b>183E20</b>	2.5	20V C.T. @ .12A	10V @ .24A
<b>183F20</b>	5	20V C.T. @ .25A	10V @ .5A
<b>183G20</b>	10	20V C.T. @ .5A	10V @ 1A
<b>183H20</b>	20	20V C.T. @ 1A	10V @ 2A
<b>183J20</b>	30	20V C.T. @ 1.5A	10V @ 3A
<b>183K20</b>	56	20V C.T. @ 2.8A	10V @ 5.6A
<b>183E24</b>	2.5	24V C.T. @ .1A	12V @ .2A
<b>183F24</b>	5	24V C.T. @ .21A	12V @ .42A
<b>183G24</b>	10	24V C.T. @ .42A	12V @ .84A
<b>183H24</b>	20	24V C.T. @ .83A	12V @ 1.66A
<b>183J24</b>	30	24V C.T. @ 1.25A	12V @ 2.5A
<b>183K24</b>	56	24V C.T. @ 2.33A	12V @ 4.66A
<b>183E28</b>	2.5	28V C.T. @ .09A	14V @ .18A
<b>183F28</b>	5	28V C.T. @ .18A	14V @ .36A
<b>183G28</b>	10	28V C.T. @ .36A	14V @ .72A
<b>183H28</b>	20	28V C.T. @ .72A	14V @ 1.44A
<b>183J28</b>	30	28V C.T. @ 1.06A	14V @ 2.12A
<b>183K28</b>	56	28V C.T. @ 2A	14V @ 4A
<b>183E36</b>	2.5	36V C.T. @ .07A	18V @ .14A
<b>183F36</b>	5	36V C.T. @ .14A	18V @ .28A
<b>183G36</b>	10	36V C.T. @ .28A	18V @ .56A
<b>183H36</b>	20	36V C.T. @ .56A	18V @ 1.12A
<b>183J36</b>	30	36V C.T. @ .82A	18V @ 1.64A
<b>183K36</b>	56	36V C.T. @ 1.56A	18V @ 3.12A



Mounting Hole Drawing



**CANADA**  
Guelph, Ontario (519) 822-2960  
St. Laurent, Quebec (514) 343-9010  
**USA**  
Cheektowaga, NY (716) 630-7030

[www.hammondmfg.com](http://www.hammondmfg.com)



**EUROPE**  
Basingstoke, UK 01256 812812

**AUSTRALIA**  
Queenstown, Australia 61-8-8240-2244