



**"Classic"
Plate
Enclosed Power Transformers**

[Home](#)
[Products](#)
[Distributors](#)
[Technical](#)
[Contact Us](#)
[Other Options](#)

Path: [Home](#) > [Transformer Index](#) > [Power](#) > "Classic" H.V. - Enclosed - Chassis Mount



Key Features:

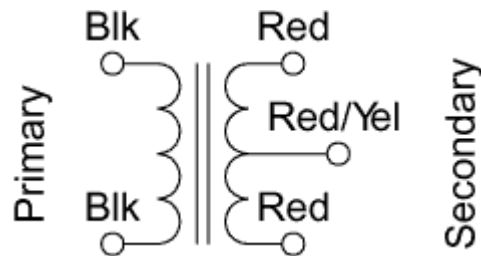
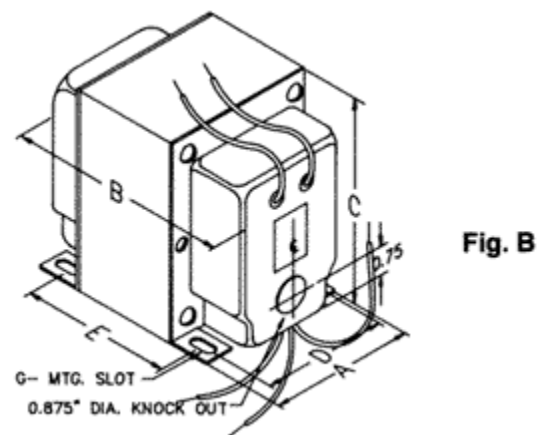
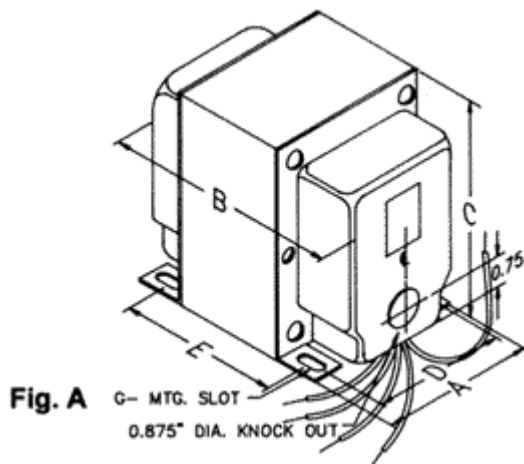
- Two versions available:
 - Primary 115 VAC, 50/60 Hz. or
 - Primary 117/234 VAC, 50/60 Hz.
- At 2,000 VAC and above, secondary leads are through rubber bushings (figure B).
- Units can be run full wave bridge or full wave C.T.
- Current ratings are CCS (Continuous Commercial Service), for ICAS ratings (Intermittent Commercial or Amateur Service) multiply current by 1.50.
- Enclosed, 4 hole chassis mount.
- Minimum 6" long leads.
- Class A insulation (105 degrees C).
- Hi-Pot test at a minimum of twice secondary voltage
- Conservative designs - CSA certified (# LR3902).

Part Number (115 VAC Primary)	Part Number (117/234 VAC Primary)	V.A.	A.C. High Voltage Secondary (CCS) R.M.S.	Dwg. Type	Dimensions (Inches)					Wt. Lb.
					A	B	C	D	E	
710	710A	110	750V C.T. @ 147ma.	A	3.75	4.13	4.5	3	2.25	7.2
712	712A	130	850V C.T. @ 215ma.	A	3.75	4.63	4.5	3	2.75	8.8
714	714A	180	1,020V C.T. @ 170ma.	A	3.13	3.75	3.75	2.5	2.38	5.5
715	715A	200	1,020V C.T. @ 300ma.	A	3.75	4.63	4.5	3	2.75	9
717	717A	510	1,020V C.T. @ 500ma.	A	5	5.25	6.5	4.56	3.25	17.7
718	718A	235	1,250V C.T. @ 200ma.	A	3.75	4.38	4.5	3	2.5	8
720	720A	370	1,250V C.T. @ 300ma.	A	3.75	5.38	4.5	3	3.5	12
722	722A	625	1,250V C.T. @ 500ma.	A	5	5.25	6.5	4.56	3.25	17.7

724	724A	345	1,500V C.T. @ 226ma.	A	3.75	5.25	4.5	3	3.38	12
726	726A	312	1,790V C.T. @ 175ma.	A	3.75	5.25	4.5	3	3.38	12
728	728A	210	2,000V C.T. @ 175ma.	B	3.75	5.25	4.5	3	3.38	12
732	732A	500	2,500V C.T. @ 200ma.	B	5	5.25	6.5	4.56	3.25	17.7
733	733A	750	2,500V C.T. @ 300ma.	B	5	6	6.5	4.56	4	24
735	735A	735	3,000V C.T. @ 250ma.	B	5	6	6.5	4.56	4	24
737	737A	1,200	3,000V C.T. @ 400ma.	B	5	7	6.5	4.56	5	28.5
739	739A	1,400	3,500V C.T. @ 400ma.	B	5	7.63	6.5	4.56	5.5	34.7

Notes:

- Current rating specified is CCS (Continuous Commercial Service)
- For ICAS ratings (Intermittent Commercial or Amateur Service) multiply current by a factor of 1.50.
- See our PDF [Design Guide](#) for rectifier use suggestions.

Mechanical & Schematic Data:**115 VAC Primary Version****Downloads**