



# SERIES TL1105 SWITCHES

## TACT SWITCHES - 6mm x 6mm

TACT SWITCHES

NAVIGATION SWITCHES

PUSHBUTTON SWITCHES

TOGGLE SWITCHES

ROCKER SWITCHES

SLIDE SWITCHES

SNAP-ACTION SWITCHES

DIP SWITCHES

KEYLOCK SWITCHES

ROTARY SWITCHES

DETECTOR SWITCHES

CAP. OPTIONS



### SPECIFICATIONS

|                        |   |
|------------------------|---|
| Contact Rating:        | 50mA @ 12 VDC (50mA @ 50VDC-gold)   |
| Life Expectancy:       | 100,000 cycles  |
| Contact Resistance:    | 100mΩ max., typical @ 2-4 VDC<br>100mA for both silver and gold plated contacts |
| Insulation Resistance: | 100MΩ min.  |
| Dielectric Strength:   | 250 VAC   |
| Actuation Force:       | 100 ± 50 gf, 160 ± 50 gf, 250 ± 50 gf   |
| Operating Temperature: | -20°C to 70°C   |
| Travel:                | 0.25 Typ  |

### FEATURES & BENEFITS

- ▶ Reliable dome contact technology
- ▶ Strong tactile/audible feedback
- ▶ Multiple operating force options

### APPLICATIONS/MARKETS

- ▶ Telecommunications
- ▶ Consumer Electronics
- ▶ Audio/visual
- ▶ Medical
- ▶ Testing/instrumentation
- ▶ Computer/servers/peripherals

### HOW TO ORDER



| SERIES                                     | MODEL NO. | ACTUATOR ("L" Dimension)  | OPERATING FORCE      | CONTACT MTL/TERMINATION | CAP (Where Avail.)                                    | CAP COLOR |
|--|-----------|---|----------------------|-------------------------|---|-----------|
| TL<br>TLE = Earth Ground<br>LL = Long Life | 1105      | (None) = 4.3mm<br>A = 5.0mm<br>B = 9.5mm<br>C = 8.0mm<br>D = 13.0mm<br>E = 7.3mm<br>F = 7.0mm<br>G = 9.7mm<br>H = 12.5mm<br>K = 13.5mm<br>(Not available for LL Series)<br>L = 17.0mm<br>P = 8.5mm<br>Y = 16.3mm<br>T = 2.4mm <input type="checkbox"/><br>SP = 2.8mm <input type="checkbox"/> | F100<br>F160<br>F250 | Q = Silver<br>R = Gold  | See Cap Options<br>Caps available for SP option only. |           |

- Square Snap-on Actuator Head  
"L" Dimension is 7.5mm

**Note: Contact E-Switch for additional Operating Force Options.**

|                      |                     |   |                      |                        |   |  |
|----------------------|---------------------|---|----------------------|------------------------|---|--|
| TL<br>LL = Long Life | 1105<br>(Rt. Angle) | V = 3.85mm<br>W = 3.15mm<br>X = 5.85mm<br>R = 6.15mm<br>M = 6.85mm<br>S = 8.35mm<br>N = 11.85mm<br>Q = 15.85mm<br>J = 2.4mm <input type="checkbox"/><br>JA = 2.8mm <input type="checkbox"/> | F100<br>F160<br>F250 | Q = Silver<br>R = Gold | See Cap Options<br>Caps available for JA option only. |  |
|----------------------|---------------------|---|----------------------|------------------------|---|--|

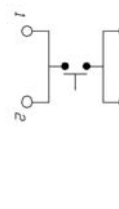
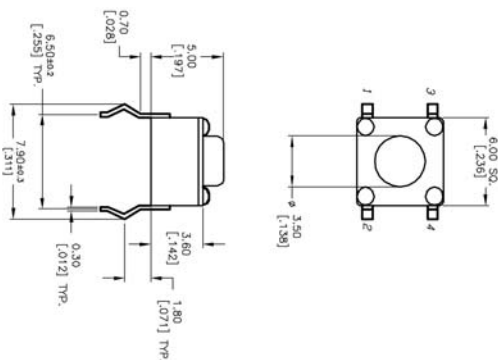
▶ ▶ ▶ Example Ordering Number  
TL-1105-SP-F160-Q-1R RED

- Square Snap-on Actuator Head  
"L" Dimension is 6.35mm

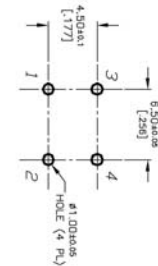
Specifications subject to change without notice.



### TL 1105/LL 1105



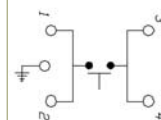
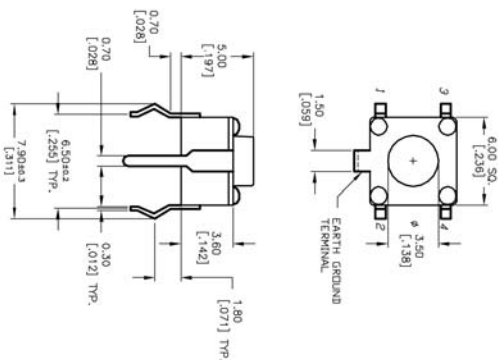
SCHEMATIC



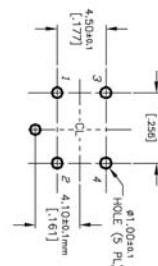
P.C. MOUNTING

### TLE 1105

TLE (EARTH TERMINAL)



SCHEMATIC

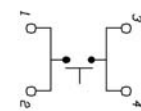
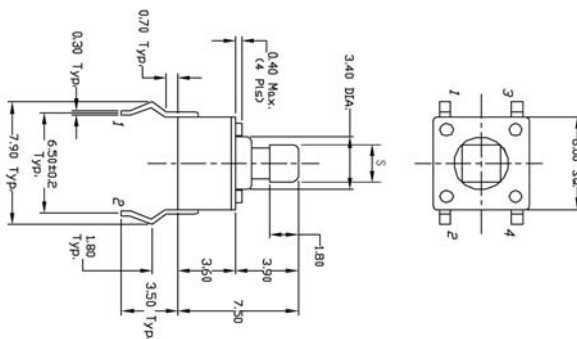


P.C. MOUNTING

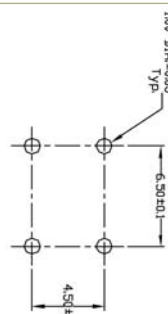
### TL 1105 T



| Model No. | 'S' Dim. |
|-----------|----------|
| TL1105T   | 2.4 mm   |
| TL1105SP  | 2.8 mm   |



SCHEMATIC



P.C. MOUNTING

TACT SWITCHES

NAVIGATION SWITCHES

PUSHBUTTON SWITCHES

TOGGLE SWITCHES

ROCKER SWITCHES

SLIDE SWITCHES

SNAP-ACTION SWITCHES

DIP SWITCHES

KEYLOCK SWITCHES

ROTARY SWITCHES

DETECTOR SWITCHES

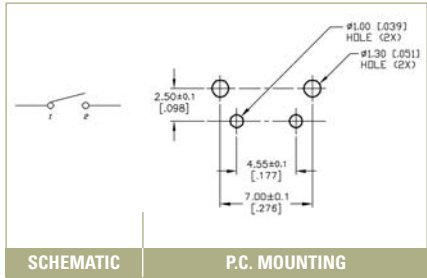
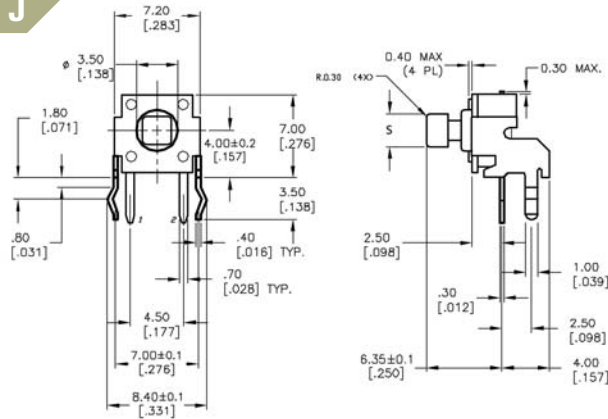
CAP OPTIONS

# SERIES TL1105 SWITCHES

TACT SWITCHES - 6mm x 6mm

TACT SWITCHES

## TL 1105 J/LL 1105 J



SCHEMATIC

P.C. MOUNTING

| Model No. | 'S' Dim. |
|-----------|----------|
| TL1105J   | □ 2.4 mm |
| TL1105JA  | □ 2.8 mm |

NAVIGATION SWITCHES

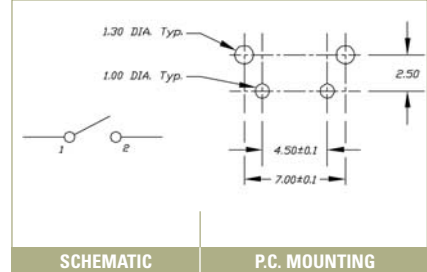
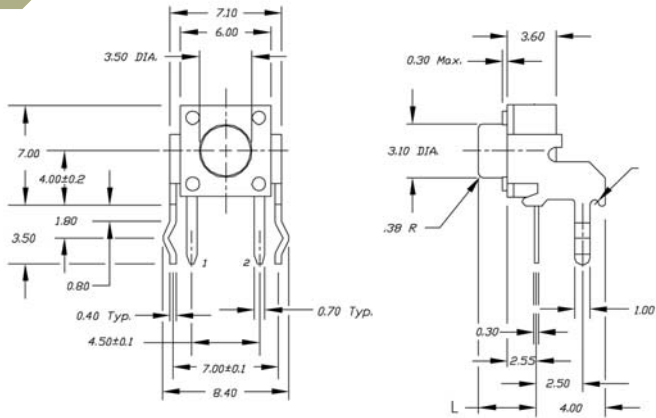
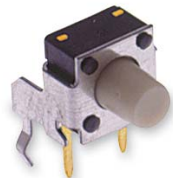
PUSHBUTTON SWITCHES

TOGGLE SWITCHES

ROCKER SWITCHES

## TL 1105/LL 1105

RIGHT ANGLE



SCHEMATIC

P.C. MOUNTING

SLIDE SWITCHES

SNAP-ACTION SWITCHES

DIP SWITCHES

KEYLOCK SWITCHES

ROTARY SWITCHES

DETECTOR SWITCHES

CAP OPTIONS