

# TL6100 SERIES TACT SWITCH

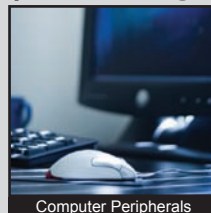
ANTI-VANDAL SWITCHES  
 DETECTOR SWITCHES  
 DIP SWITCHES  
 KEYLOCK SWITCHES  
 NAVIGATION SWITCHES  
 PUSHBUTTON SWITCHES  
 ROCKER SWITCHES  
 ROTARY SWITCHES  
 SLIDE SWITCHES  
 SNAP ACTION SWITCHES  
**TACTILE SWITCHES**  
 TOGGLE SWITCHES  
 CAP OPTIONS



## APPLICATIONS / MARKETS



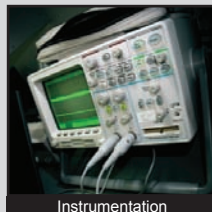
Audio / Visual



Computer Peripherals



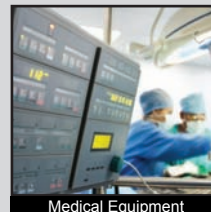
Consumer Electronics



Instrumentation



Telecommunication



Medical Equipment

**RoHS**

## SPECIFICATIONS

**Electrical Rating:** 50mA @ 12VDC  
**Life Expectancy:** per chart  
**Contact Resistance:** 100mΩ Max. Initial  
**Insulation Resistance:** 100 MΩ Min. at 100VAC  
**Dielectric Strength:** 250VAC for 1 min.  
**Operating Temperature:** -40°C to 85°C  
**Storage Temperature:** -40°C to 85°C  
**Operating Force:** 130 gf, 160 gf, 300 gf, 500 gf  
**Travel:** 0.50mm  
**Contact Arrangement:** SPST

## FEATURES & BENEFITS

- Tube packaging
- Multiple operating forces
- Gold or silver contact option
- Multiple actuator lengths
- Process sealed

## PART NUMBER CONFIGURATOR

Series	Actuator Options	Operating Force	Contact Plating	Termination
<input type="text" value="TL"/> <input type="text" value="6"/> <input type="text" value="1"/> <input type="text" value="0"/> <input type="text" value="0"/>	<input type="text" value="A"/>	<input type="text" value="F"/> <input type="text" value="1"/> <input type="text" value="3"/> <input type="text" value="0"/>	<input type="text" value="Q"/>	<input type="text" value="P"/>
TL6100	A - 4.70mm B - 5.20mm C - 6.90mm D - 10.0mm	F130 - 130 gf F160 - 160 gf F300 - 300 gf F500 - 500 gf	Q - Silver R - Gold	P - PCB Pins

Actuation Force	Life Cycles
130 gf	1,000,000
160 gf	1,000,000
300 gf	500,000
500 gf	200,000

*Specifications subject to change without notice*



**E-SWITCH®**

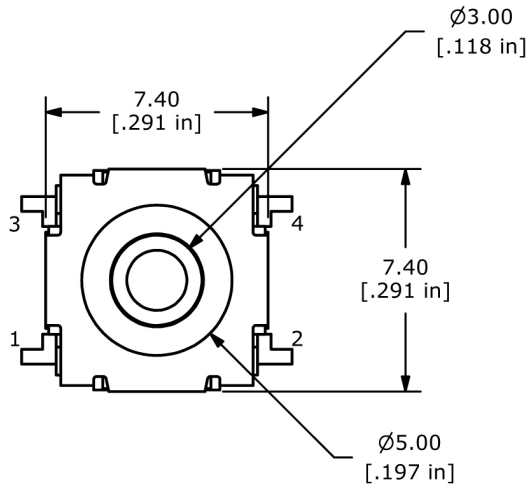
www.e-switch.com

800.867.2717

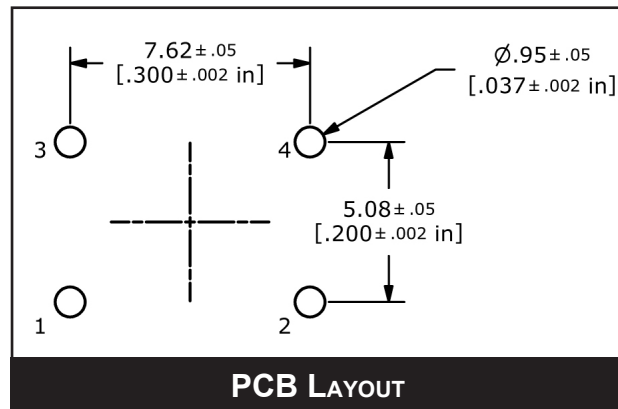
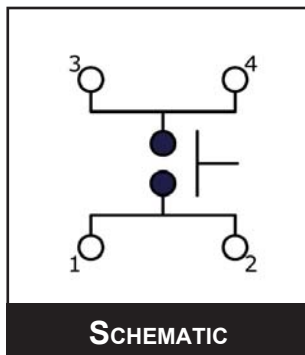
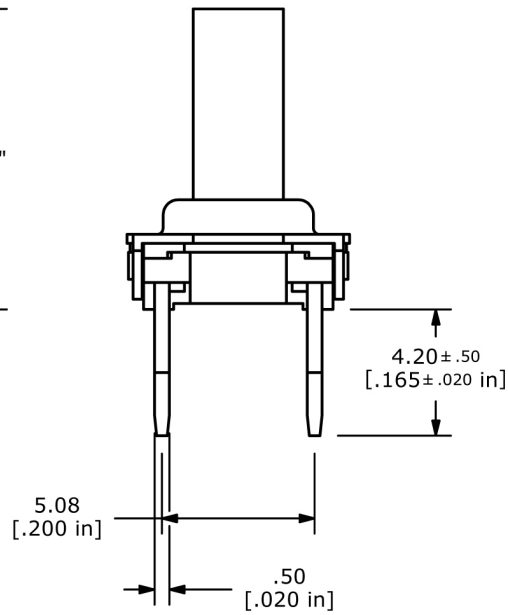
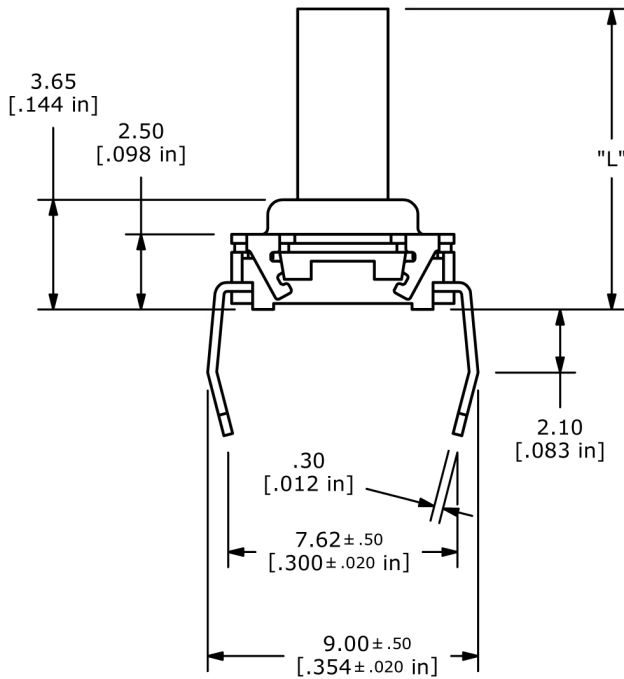
2

# TL6100 SERIES TACT SWITCH

## BODY DIMENSIONS



Actuator	"L" Dimension
A	4.70
B	5.20
C	6.90
D	10.00



ANTI-VANDAL SWITCHES  
 DETECTOR SWITCHES  
 DIP SWITCHES  
 KEYLOCK SWITCHES  
 NAVIGATION SWITCHES  
 PUSHBUTTON SWITCHES  
 ROCKER SWITCHES  
 ROTARY SWITCHES  
 SLIDE SWITCHES  
 SNAP ACTION SWITCHES  
 TACTILE SWITCHES  
 TOGGLE SWITCHES  
 CAP OPTIONS

