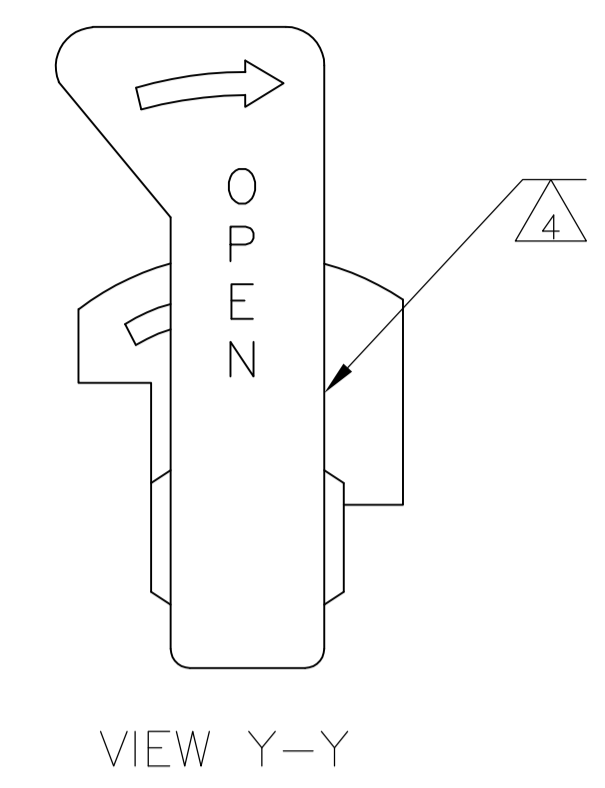
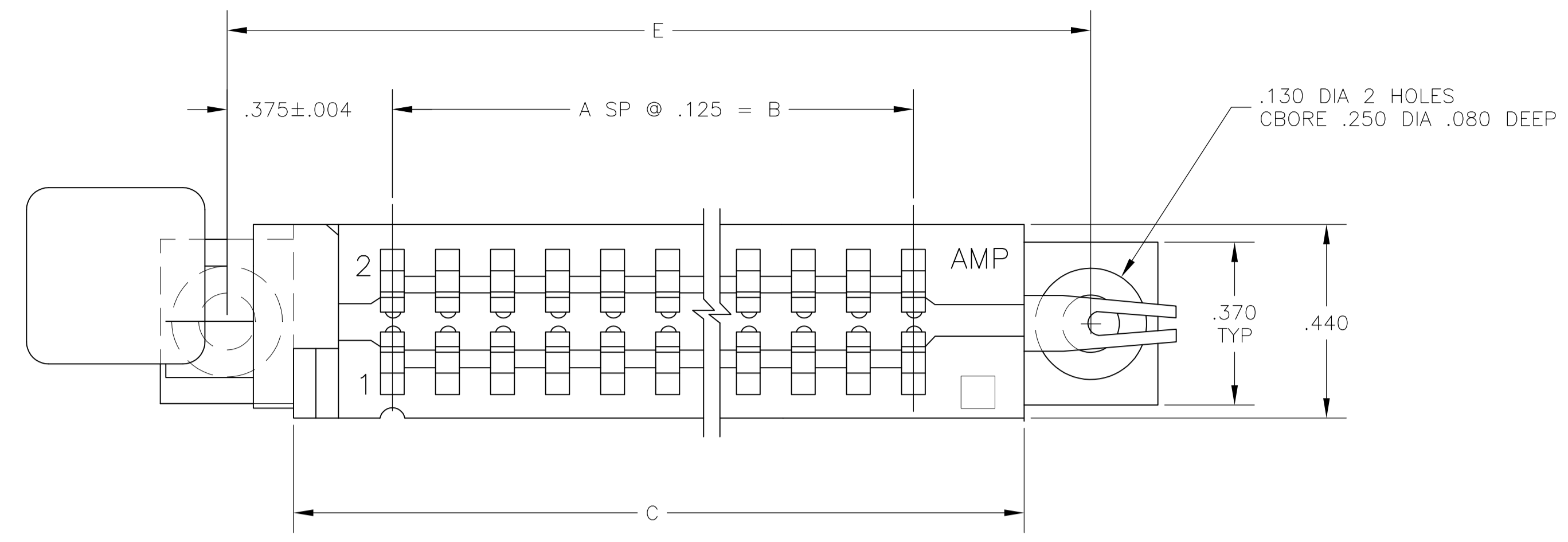
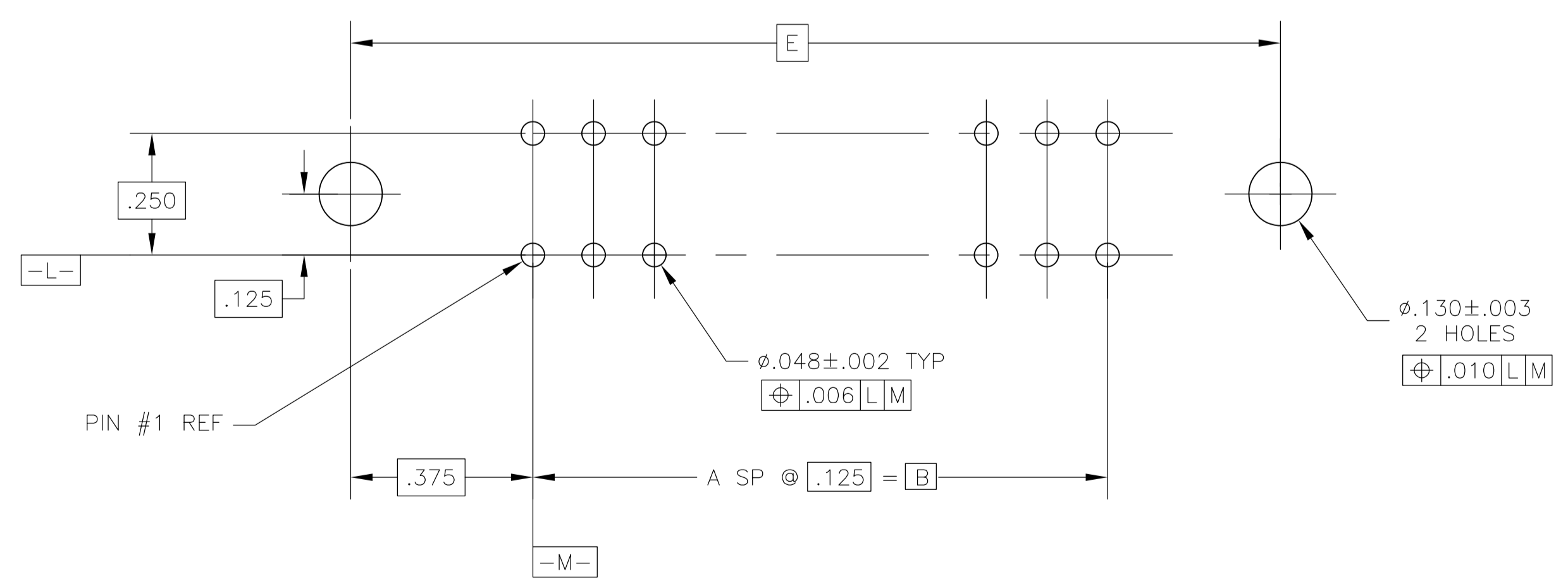
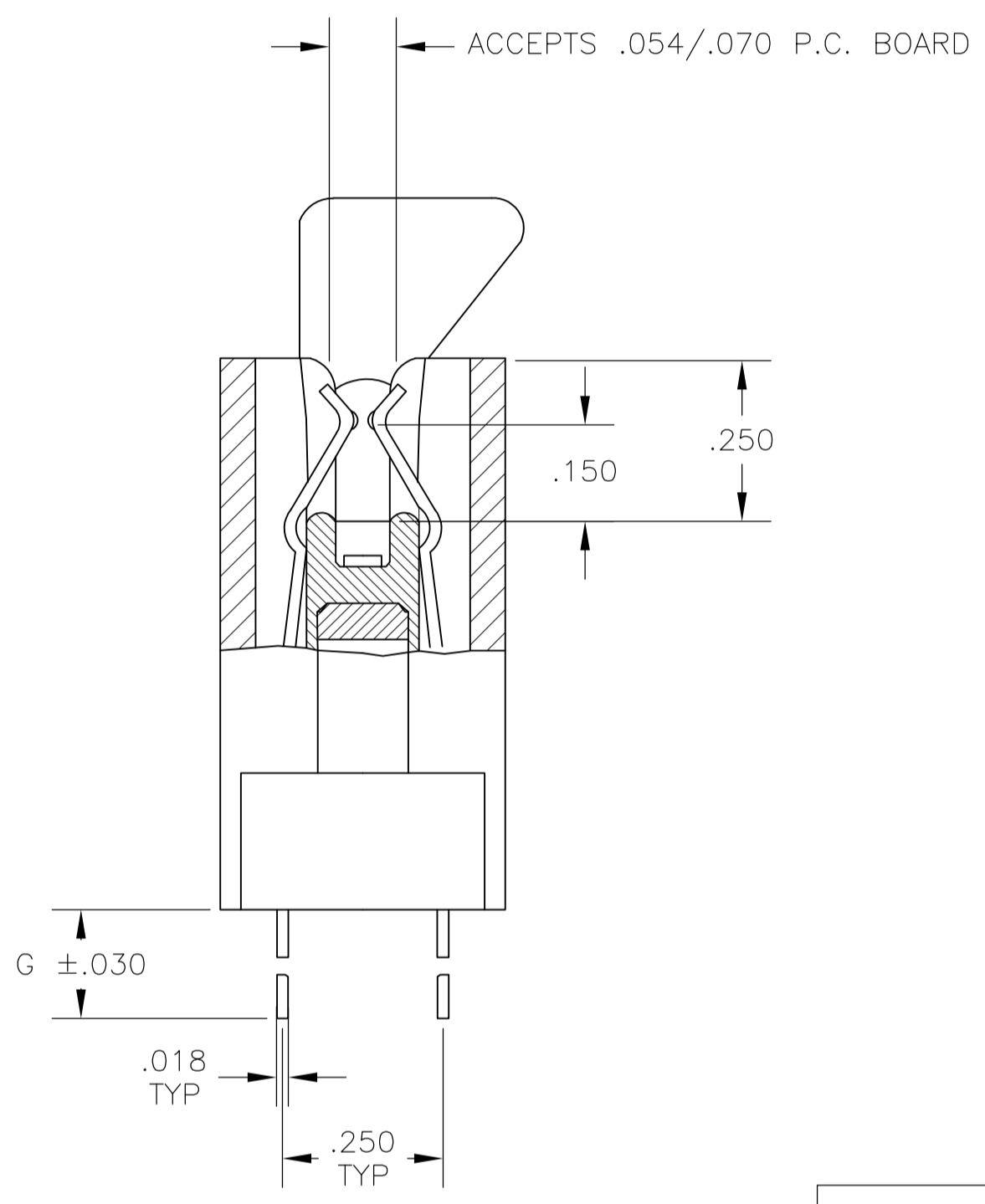
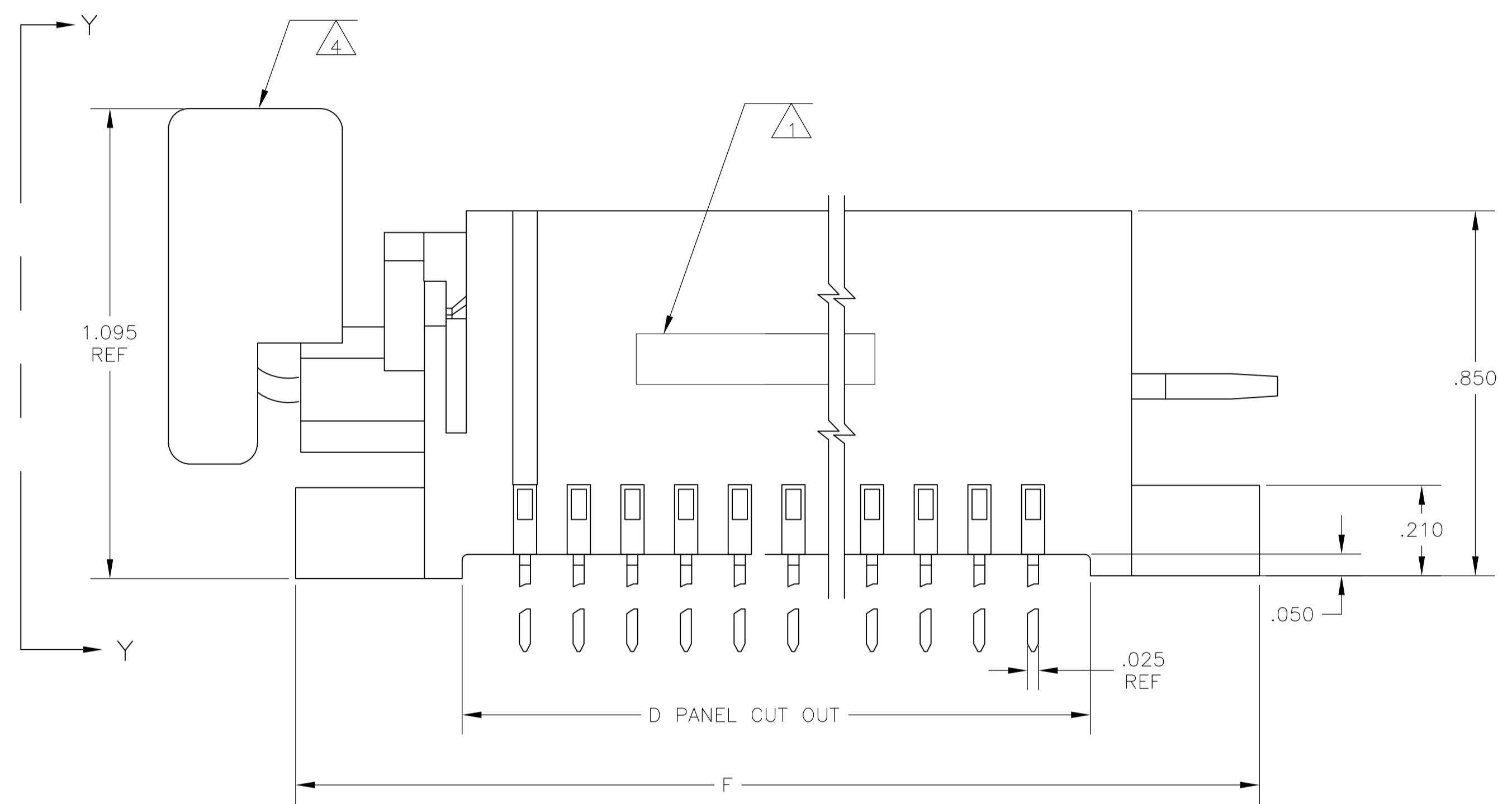


LOC		DIST		REVISIONS			
AD	00	REV	PER	DESCRIPTION	DATE	BY	APPV
R	EC	063C	0190	05	12MAR05	BSV	MM
R1	REV	PER	ECO-09-02	1510	12AUG09	KK	AEG



- 1 PART NUMBER AND DATE CODE STAMPED IN THIS AREA ON EITHER SIDE.
- 2 CONTACT: COPPER ALLOY
HOUSING: GLASS FILLED POLYESTER 94 V0
COLOR-BLACK
CAM ROD: STAINLESS STEEL
BOARD LOCK: GLASS FILLED POLYESTER 94 V0
COLOR-YELLOW
- 3 CONTACT: .000050 MIN NICKEL ALL OVER
.000030 GOLD SELECTIVE PLATED IN CONTACT AREA TIN PLATED POST
- 4 CAM ROD AND BOARD LOCK SHIPPED WITH EACH CONNECTOR. ROTATE IN DIRECTION OF ARROW TO OPEN.
- 5 ASSEMBLY DOES NOT INCLUDE CAM ROD & BOARD LOCK
- 6 CONTACT: .000050 MIN NICKEL ALL OVER
.000030 GOLD SELECTIVE PLATED IN CONTACT AREA MATTE TIN PLATED POST
- 7 OBSOLETE PARTS: OBSOLETE CIS STREAMLINING PER D.RENAUD/D.SINISI



7/6	OBSOLETE	.160	5.925	5.625	5.125	5.325	4.875	39	40/80	6-531024-4
7/6	OBSOLETE	.125	4.425	4.125	3.625	3.825	3.375	27	28/56	5-531024-3
6	OBSOLETE	.125	3.675	3.375	2.875	3.075	2.625	21	22/44	5-531024-2
5	OBSOLETE	.160	4.675	4.375	3.875	4.075	3.625	29	30/60	1-531024-7
	OBSOLETE	.160	6.300	6.000	5.500	5.700	5.250	42	43/86	1-531024-5
7/3	OBSOLETE	.160	5.925	5.625	5.125	5.325	4.875	39	40/80	1-531024-4
	OBSOLETE	.160	4.625	4.375	3.075	4.075	3.625	29	30/60	1-531024-2
	OBSOLETE	.125	7.175	6.875	6.375	6.575	6.125	49	50/100	531024-8
7/3	OBSOLETE	.125	4.425	4.125	3.625	3.825	3.375	27	28/56	531024-3
	OBSOLETE	.125	3.675	3.375	2.875	3.075	2.625	21	22/44	531024-2
	OBSOLETE	.125	3.175	2.075	3.375	2.575	2.125	17	18/36	531024-1
		G	F	E	D	C	B	A	POSITION	PART NO

RECOMMENDED P.C. BOARD LAYOUT

THIS DRAWING IS A CONTROLLED DOCUMENT.

DIMENSIONS: INCHES	TOLERANCES UNLESS OTHERWISE SPECIFIED:	DIN L WAREHAM MAY88	CKK D GORNEC MAY88	Tyco Electronics Corporation Harrisburg, Pa 17105-3608
0 PLC ± -	1 PLC ± -	2 PLC ± -	3 PLC ± .010	4 PLC ± -
ANGLES ± -		APPROVED: D GORNEC MAY88		
MATERIAL		FINISH		NAME: ROTARY ZIF ASSEMBLY .125 x .250, SOLDER POST OPEN BOTH ENDS
2		3/6		SIZE: A1
CUSTOMER DRAWING		SCALE: 4:1		SHEET 1 OF 1 REV R1