

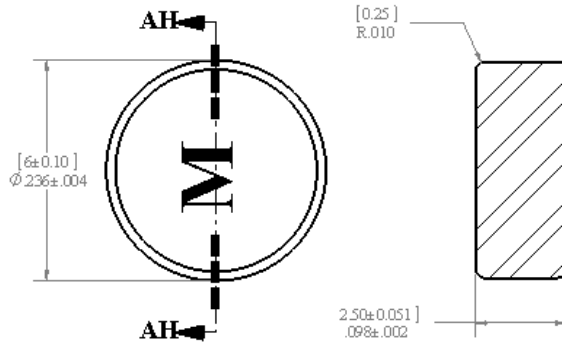


D6.0x2.5-N35

ordering number: 2910041-1

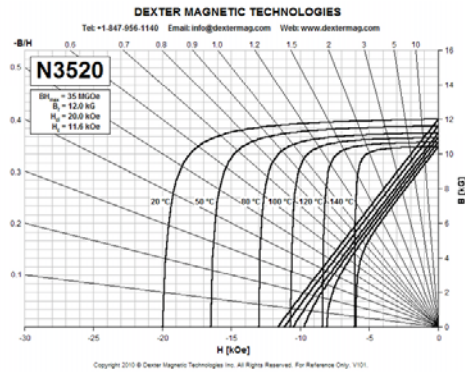
Physical Data

Diameter: 6.0 +/- .1mm
 Thickness: 2.5 +/- .05mm
 Density: 7.6 gm/cc
 Mass: ~.53gram
 Temperature coeff. of max. Linear expansion: 5.0 to 8.0 x 10⁻⁶ °C⁻¹



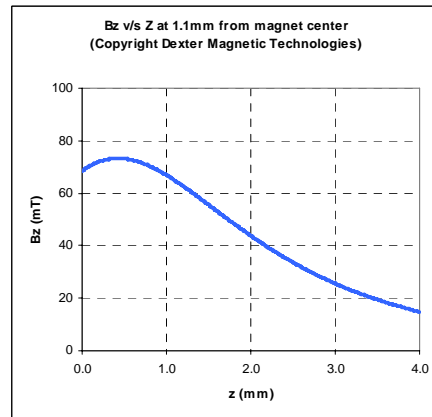
Magnetic Characteristics

Material: NdFeB
 Energy grade: 35 MGOe
 Temperature coeff. of magnetic field strength: -0.15% °C⁻¹
 Max. Operating temp: 120°C
 Coating: Nickel plating



Magnetic Performance Data

Magnetic flux density plot for
 Use with AMS On-axis sensors:
 (max Bz on line at 1.1mm from center of magnet)



For additional data and options, visit our web site www.dextermag.com
 Contact us at: Tel. 1+(800) 317-2537 email. info@dextermag.com

