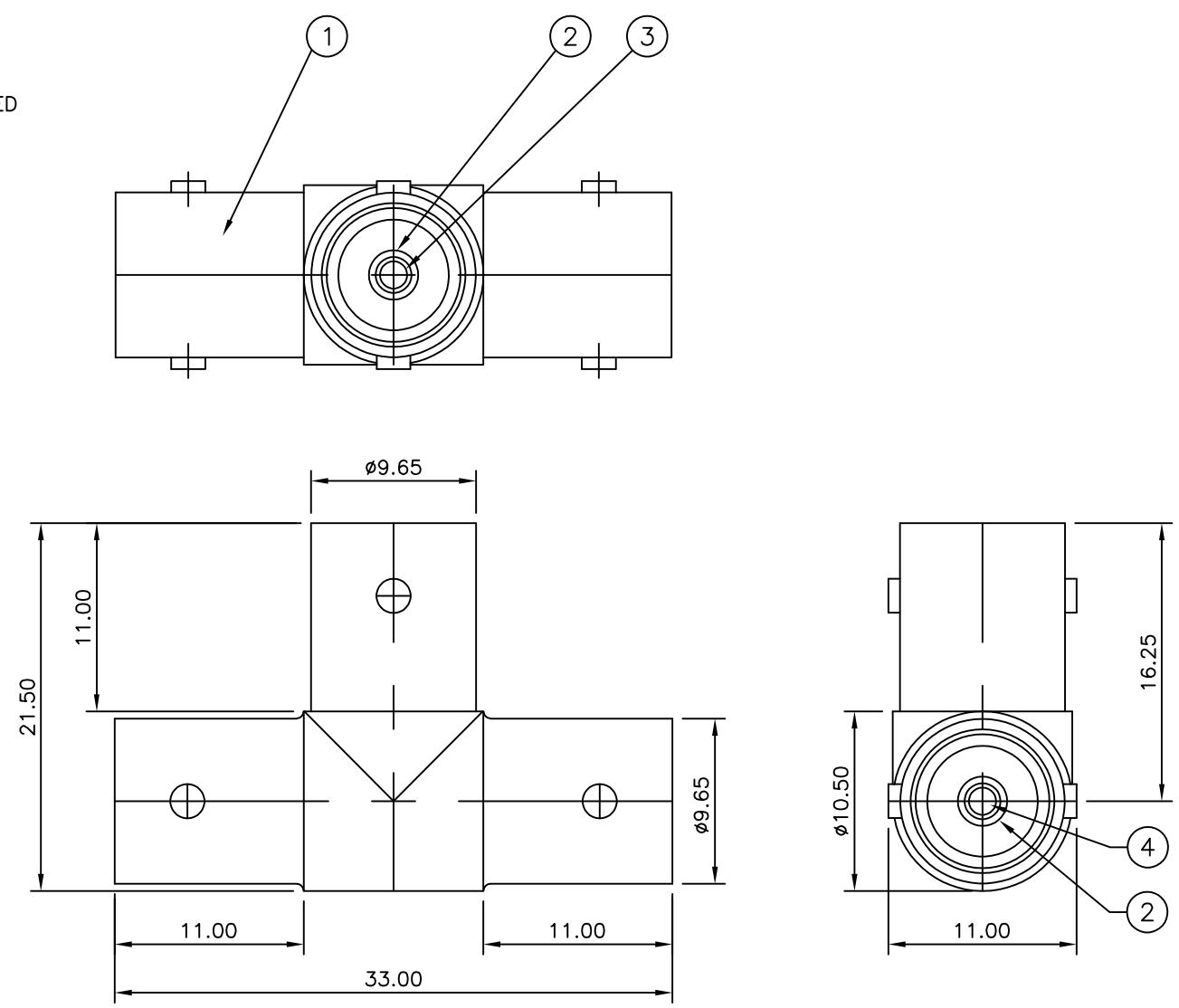


THIS DRAWING IS UNPUBLISHED. RELEASED FOR PUBLICATION MAR , 2006.
 © COPYRIGHT 2006 By - ALL RIGHTS RESERVED.

LOC	DIST	REVISIONS					
		P	LTR	DESCRIPTION	DATE	DWN	APVD
E	B		B	ECO-09-003420	19MAR09	RITA	BOB
			C	ECO-12-010787	11JUN12	TITAN	MARTIN

- NOTES**
- 100 TRAY PACK IN ACCORDANCE WITH AMP SPEC 107-3275
 - SINGLE PACK IN ACCORDANCE WITH AMP SPEC 107-3275
 - Au PLATING
 - Ni PLATING
 - FOR TECHNICAL DATA REFER TO YOUR LOCAL TYCO ELECTRONICS SALES OFFICE
 - ALL DIMENSIONS ARE NOMINAL FOR REFERENCE ONLY UNLESS OTHERWISE STATED



QTY	UNIT	MATERIAL	DESCRIPTION	ITEM
1	1	PHOS BRONZE	CONTACT 2	4
1	1	PHOS BRONZE	CONTACT 1	3
3	3	POLYMETHYLPENTENE	INSULATOR	2
1	1	ZINC ALLOY	BODY	1
5--1	5--0	MATERIAL	DESCRIPTION	ITEM

Obsolete

QUANTITY PER ASSY PARTS LIST

THIS DRAWING IS A CONTROLLED DOCUMENT.		DWN RITA ZUO 19MAR09		TE Connectivity BNC T - ADAPTOR JACK - JACK - JACK	
DIMENSIONS: mm		CHK ANSON MA 19MAR09			
TOLERANCES UNLESS OTHERWISE SPECIFIED:		APVD BOB ZHAO 19MAR09			
0 PLC ± - 1 PLC ± - 2 PLC ± - 3 PLC ± - 4 PLC ± - ANGLES ± -		NAME			
MATERIAL SEE TABLE		FINISH -		RESTRICTED TO -	
		PRODUCT SPEC 108-112000		SIZE A3	
		APPLICATION SPEC -		CAGE CODE 00779	
		WEIGHT -		DRAWING NO C-1634535	
		CUSTOMER DRAWING		SCALE NTS	
				SHEET 1 OF 1	
				REV C	