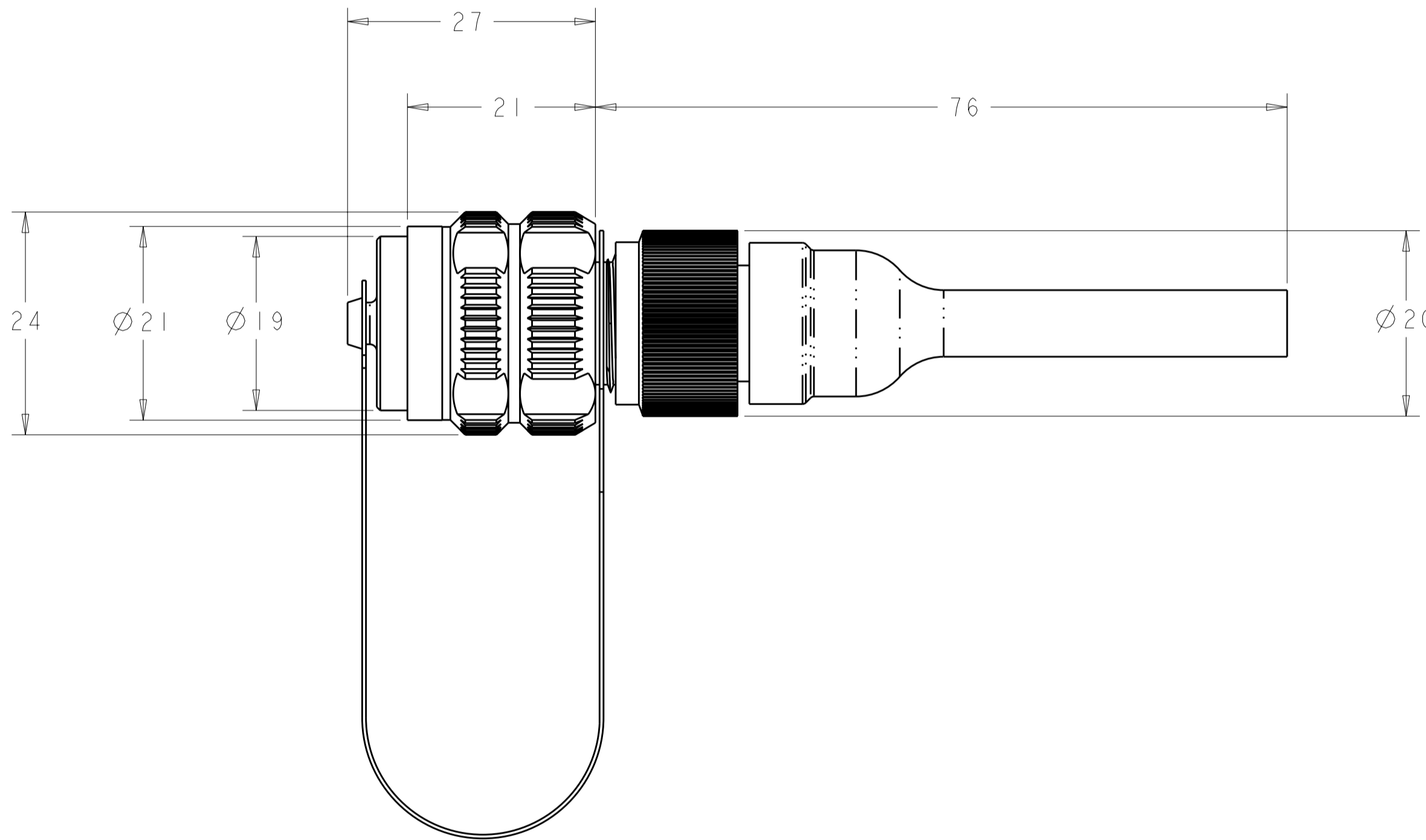
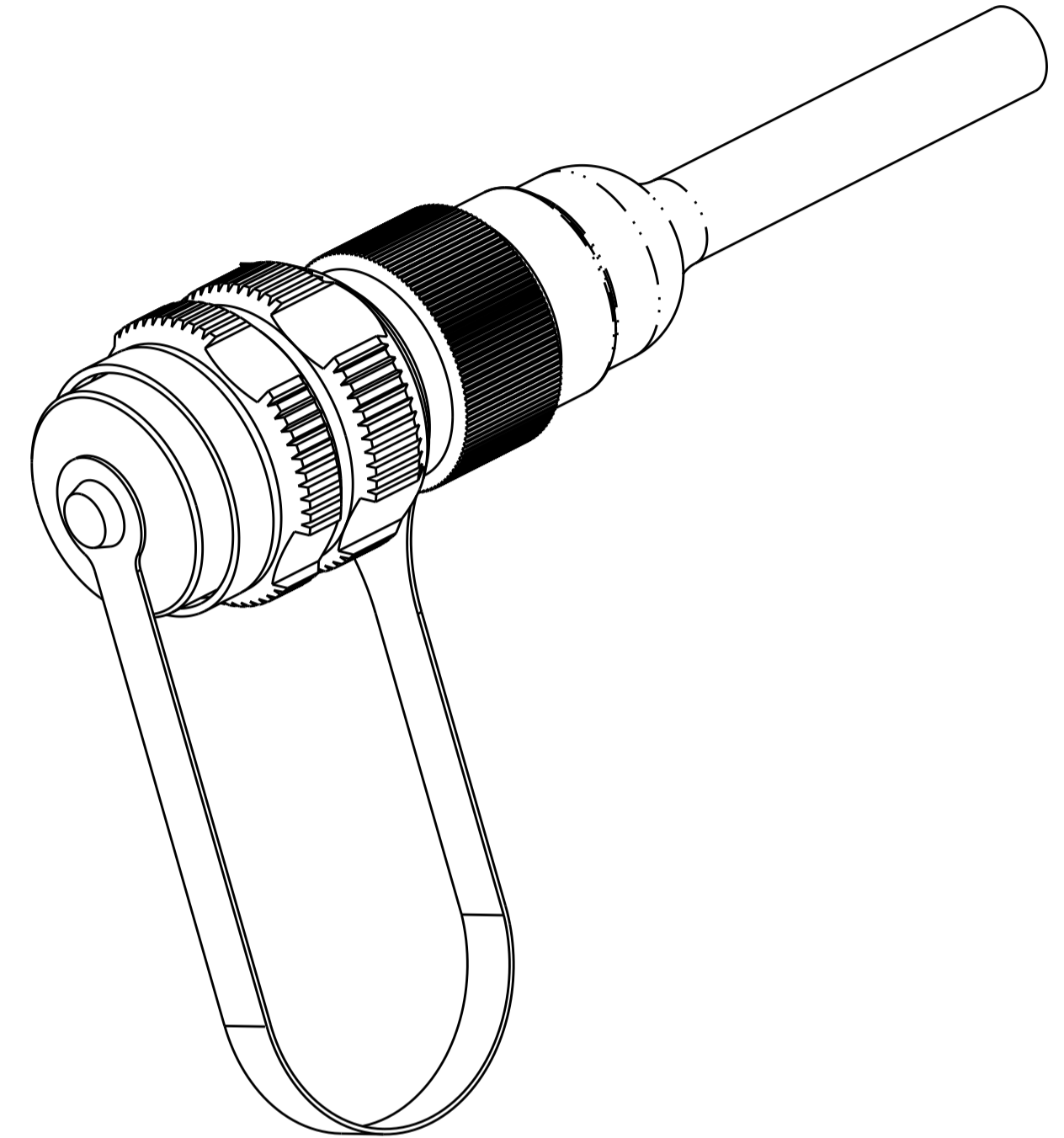


THIS DRAWING IS UNPUBLISHED. RELEASED FOR PUBLICATION 20  
 © COPYRIGHT 20 BY TYCO ELECTRONICS CORPORATION. ALL RIGHTS RESERVED.

LOC	DIST	REVISIONS					
		P	LTR	DESCRIPTION	DATE	DWN	APVD
CE	16		D	ECR-07-001864	06MAR07	KG	DW
			E	ECR-07-025776	16NOV07	KG	DW
			F	ECR-09-018342	01SEP2009	KG	DW
			FI	ECR-10-002629	09FEB2010	KG	DW

- ASSEMBLY SHOWN FOR REFERENCE ONLY. SHIPPED LOOSEPIECE AS SHOWN ON PAGE 2.
- ALL ASSEMBLY DIMENSIONS ARE FOR REFERENCE ONLY.
- THIS PRODUCT HAS NOT COMPLETED VALIDATION TESTING.
- USE WITH 1.8mm DIAMETER INDIVIDUALLY JACKETED AVIONICS CABLE, FOUR CABLES MAXIMUM.
- COMPLETE THE CONNECTOR ASSEMBLY BY ADDING EACH OF THE FOLLOWING:
  - TYCO ELECTRONICS MINI EXPANDED BEAM INSERT ASSEMBLY;
  - MINI EXPANDED BEAM FERRULE KIT, ONE PER FIBER.



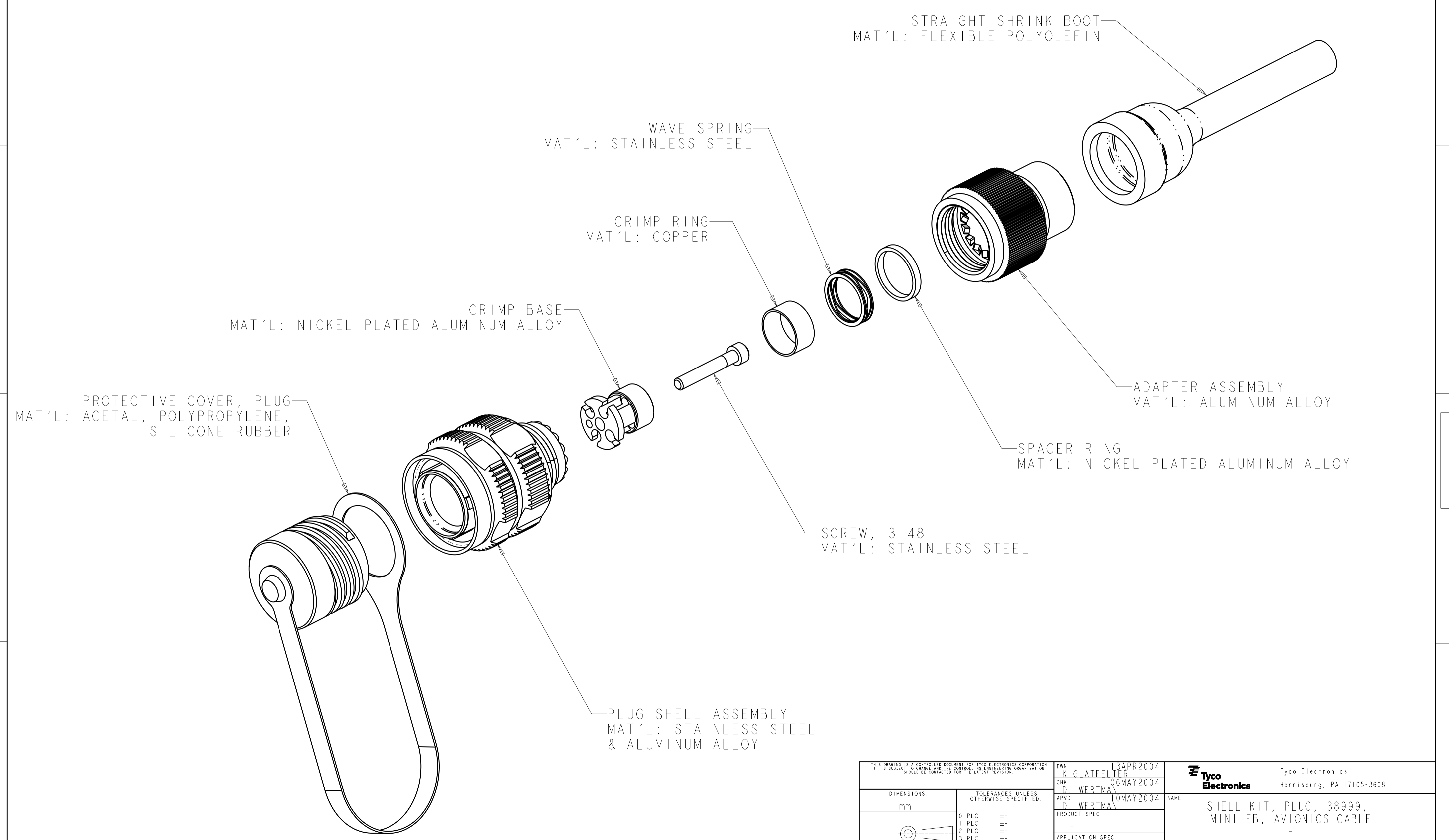
E-KEY, OLIVE DRAB	1-1754518-2
D-KEY, OLIVE DRAB	1-1754518-1
C-KEY, OLIVE DRAB	1-1754518-0
B-KEY, OLIVE DRAB	1754518-9
A-KEY, OLIVE DRAB	1754518-8
N-KEY, OLIVE DRAB	1754518-7
<b>SUPERSEDED BY:</b> 6754518-6	E KEY, NI PLATE 1754518-6
<b>SUPERSEDED BY:</b> 6754518-5	D KEY, NI PLATE 1754518-5
<b>SUPERSEDED BY:</b> 6754518-4	C KEY, NI PLATE 1754518-4
<b>SUPERSEDED BY:</b> 6754518-3	B KEY, NI PLATE 1754518-3
<b>SUPERSEDED BY:</b> 6754518-2	A KEY, NI PLATE 1754518-2
<b>SUPERSEDED BY:</b> 6754518-1	N KEY, NI PLATE 1754518-1
DESCRIPTION	PART NUMBER

DIMENSIONS:		TOLERANCES UNLESS OTHERWISE SPECIFIED:		DWN		Tyco Electronics	
mm		0 PLC ±	1 PLC ±	K. GLATFELTER	13APR2004	Tyco Electronics Harrisburg, PA 17105-3608	
		2 PLC ±	3 PLC ±	D. WERTMAN	06MAY2004	NAME SHELL KIT, PLUG, 38999, MINI EB, AVIONICS CABLE	
		4 PLC ±	ANGLES ±	D. WERTMAN	10MAY2004	SIZE	CAGE CODE
MATERIAL	FINISH	AS LISTED		PRODUCT SPEC		A2	00779
				APPLICATION SPEC		DRAWING NO	1754518
				WEIGHT		RESTRICTED TO	
				CUSTOMER DRAWING		SCALE	2:1
						SHEET	1 OF 2
						REV	FI

THIS DRAWING IS UNPUBLISHED. RELEASED FOR PUBLICATION 20  
 © COPYRIGHT 20 BY TYCO ELECTRONICS CORPORATION. ALL RIGHTS RESERVED.

LOC		DIST		REVISIONS			
P	LTR	DESCRIPTION	DATE	DWN	APVD		
-	-	SEE SHEET 1	-	-	-		

1. SHIPPED LOOSE PIECE AS SHOWN.



<small>THIS DRAWING IS A CONTROLLED DOCUMENT FOR TYCO ELECTRONICS CORPORATION          IT IS SUBJECT TO CHANGE AND THE CONTROLLING ENGINEERING ORGANIZATION          SHOULD BE CONTACTED FOR THE LATEST REVISION.</small>		DWN K. GLATFELTER CHK D. WERTMAN APVD D. WERTMAN	13APR2004 06MAY2004 10MAY2004	Tyco Electronics Harrisburg, PA 17105-3608
DIMENSIONS: mm  	TOLERANCES UNLESS OTHERWISE SPECIFIED: 0 PLC ± 1 PLC ± 2 PLC ± 3 PLC ± 4 PLC ± ANGLES ± FINISH	PRODUCT SPEC - APPLICATION SPEC - WEIGHT -	NAME SHELL KIT, PLUG, 38999, MINI EB, AVIONICS CABLE SIZE A2 CAGE CODE 00779 DRAWING NO C-1754518 RESTRICTED TO -	SCALE 2:1 SHEET 2 OF 2 REV F1
MATERIAL AS LISTED		CUSTOMER DRAWING		