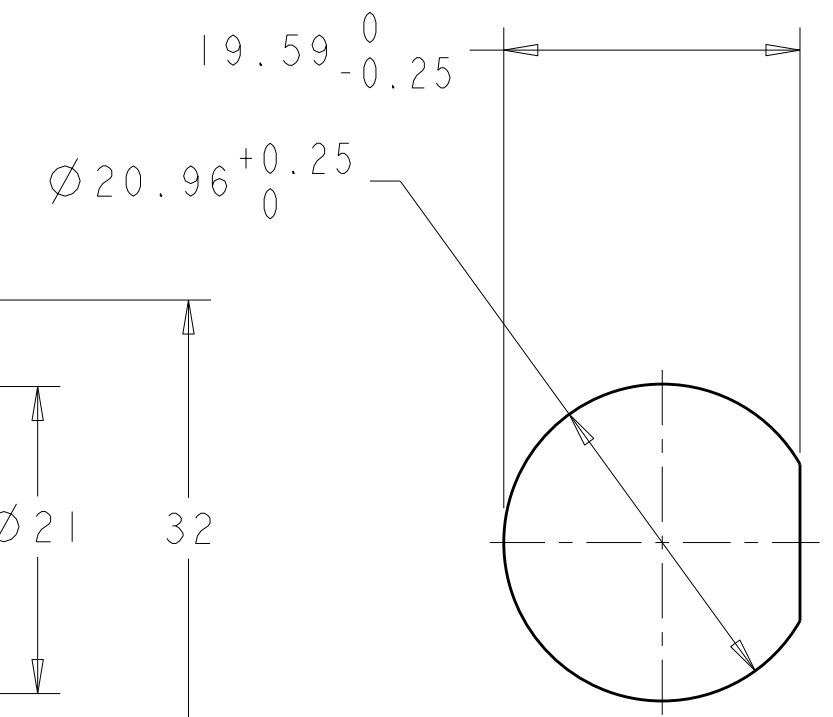
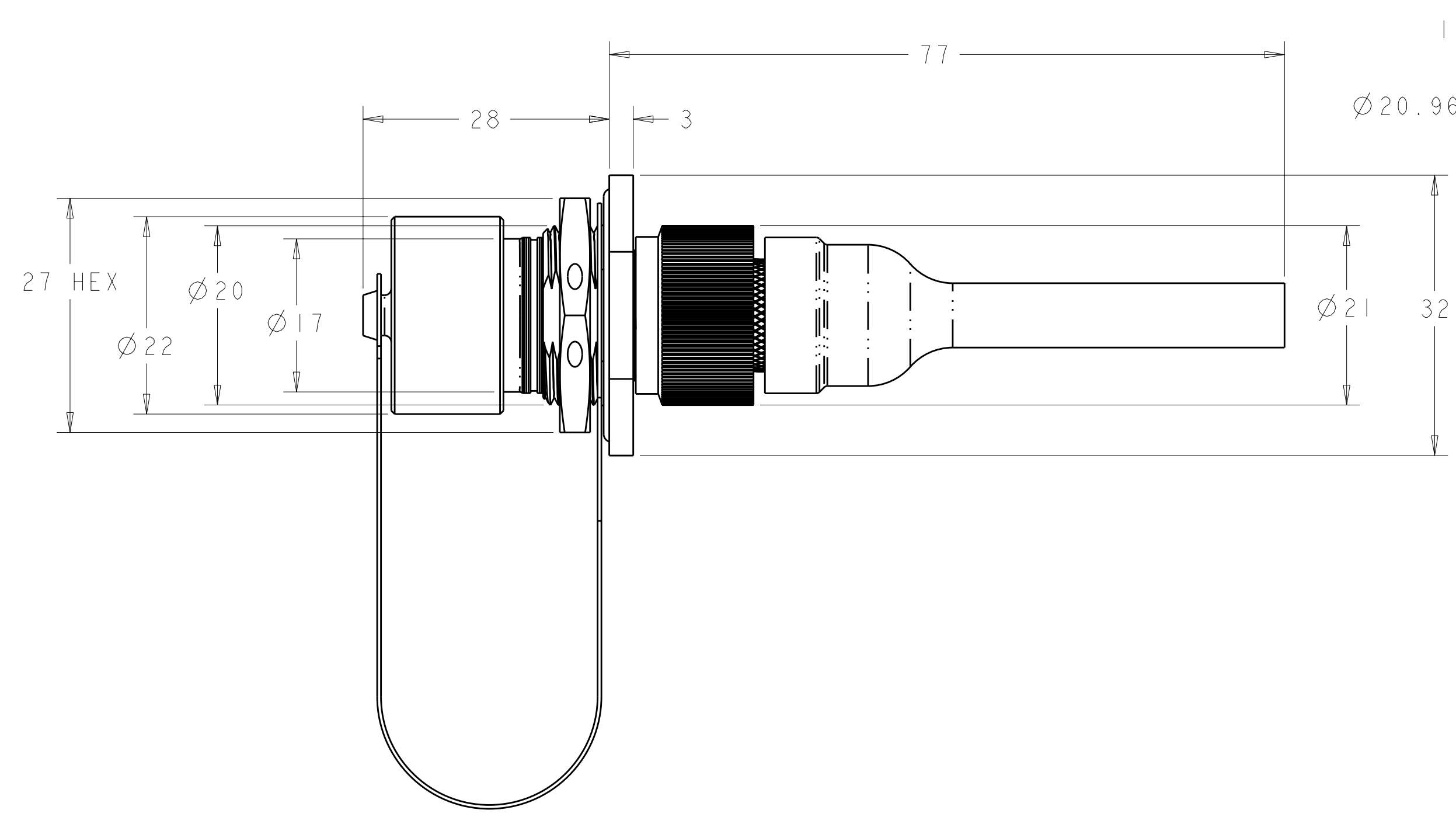
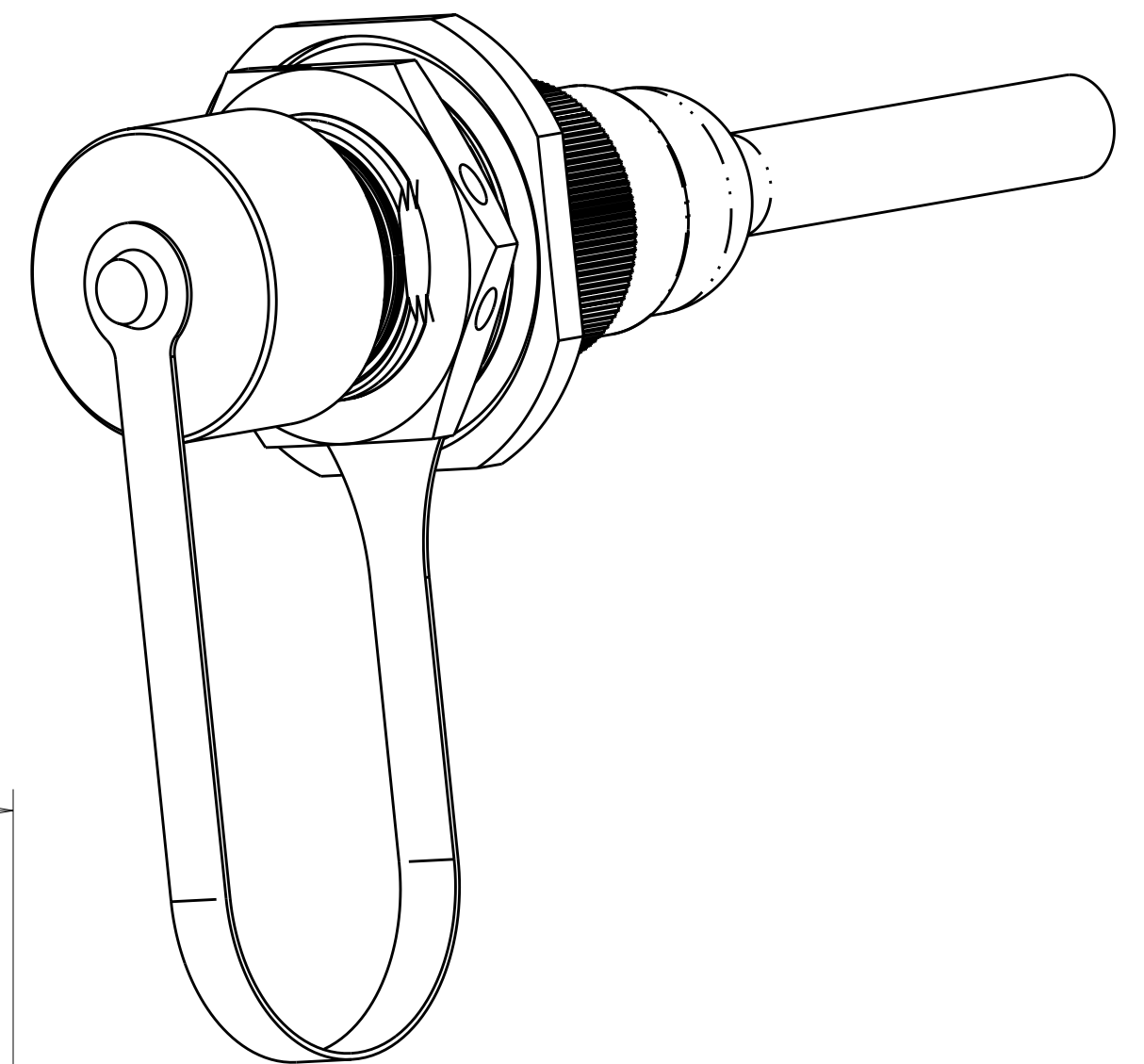


THIS DRAWING IS UNPUBLISHED. RELEASED FOR PUBLICATION 20
 © COPYRIGHT 20 BY TYCO ELECTRONICS CORPORATION. ALL RIGHTS RESERVED.

LOC	DIST	REVISIONS			
P	LTR	DESCRIPTION	DATE	DWN	APVD
CE	16				
	D	ECR-07-001864	06MAR07	KG	DW
	E	ECR-07-025776	16NOV07	KG	DW
	F	ECR-09-018342	01SEP2009	KG	DW
	FI	ECR-10-002629	09FEB2010	KG	DW

- ASSEMBLY SHOWN FOR REFERENCE ONLY. SHIPPED LOOSE PIECE AS SHOWN ON PAGE 2.
- ALL ASSEMBLY DIMENSIONS ARE FOR REFERENCE ONLY.
- THIS PRODUCT HAS NOT COMPLETED VALIDATION TESTING.
- USE WITH 1.8mm DIAMETER INDIVIDUALLY JACKETED AVIONICS CABLE, FOUR CABLES MAXIMUM.
- PER MIL-DTL-38999K, FIGURE 11, TYPE E.
- COMPLETE THE CONNECTOR ASSEMBLY BY ADDING EACH OF THE FOLLOWING:
 - TYCO ELECTRONICS MINI EXPANDED BEAM INSERT ASSEMBLY;
 - MINI EXPANDED BEAM FERRULE, ONE PER FIBER.



RECOMMENDED PANEL CUT-OUT

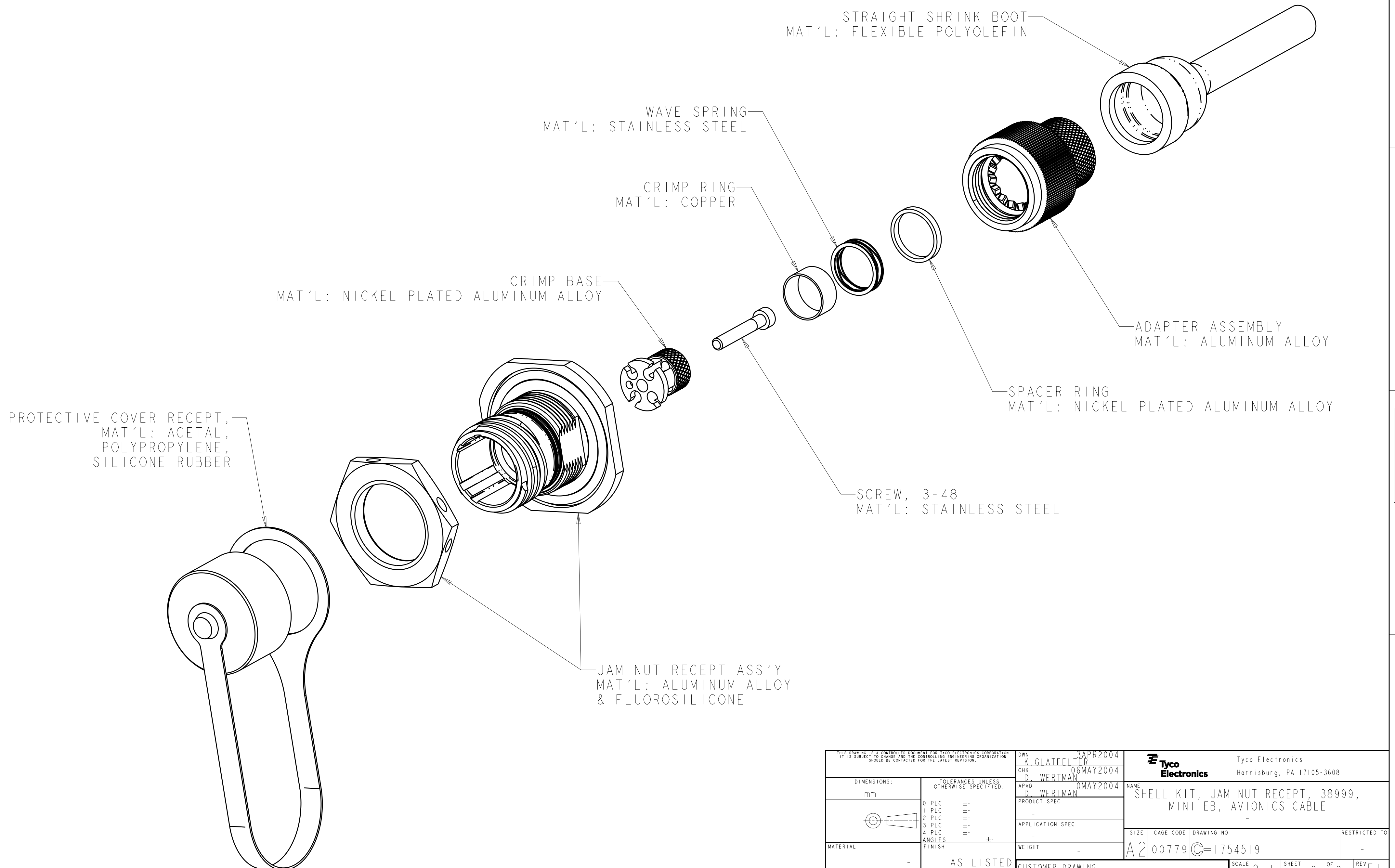
	E-KEY, OLIVE DRAB	1-1754519-2
	D-KEY, OLIVE DRAB	1-1754519-1
	C-KEY, OLIVE DRAB	1-1754519-0
	B-KEY, OLIVE DRAB	1754519-9
	A-KEY, OLIVE DRAB	1754519-8
	N-KEY, OLIVE DRAB	1754519-7
SUPERSEDED BY: 6754519-6	E-KEY, Ni-PLATE	1754519-6
SUPERSEDED BY: 6754519-5	D-KEY, Ni-PLATE	1754519-5
SUPERSEDED BY: 6754519-4	C-KEY, Ni-PLATE	1754519-4
SUPERSEDED BY: 6754519-3	B-KEY, Ni-PLATE	1754519-3
SUPERSEDED BY: 6754519-2	A-KEY, Ni-PLATE	1754519-2
SUPERSEDED BY: 6754519-1	N-KEY, Ni-PLATE	1754519-1
	DESCRIPTION	PART NUMBER

<small>THIS DRAWING IS A CONTROLLED DOCUMENT FOR TYCO ELECTRONICS CORPORATION. IT IS SUBJECT TO CHANGE AND THE CONTROLLING ENGINEERING ORGANIZATION SHOULD BE CONTACTED FOR THE LATEST REVISION.</small>		DWN K. GLATFELTER 13APR2004 CHK D. WERTMAN 06MAY2004 APVD D. WERTMAN 10MAY2004	Tyco Electronics Harrisburg, PA 17105-3608
DIMENSIONS: mm 	TOLERANCES UNLESS OTHERWISE SPECIFIED: 0 PLC ± 1 PLC ± 2 PLC ± 3 PLC ± 4 PLC ± ANGLES ± FINISH	PRODUCT SPEC - APPLICATION SPEC - WEIGHT -	NAME SHELL KIT, JAM NUT RECEPT, 38999, MINI EB, AVIONICS CABLE SIZE A2 CAGE CODE 00779 DRAWING NO 1754519 RESTRICTED TO -
MATERIAL	AS LISTED	CUSTOMER DRAWING	SCALE 2:1 SHEET 1 OF 2 REV FI

THIS DRAWING IS UNPUBLISHED. RELEASED FOR PUBLICATION 20
 © COPYRIGHT 20 BY TYCO ELECTRONICS CORPORATION. ALL RIGHTS RESERVED.

LOC		DIST		REVISIONS			
P	LTR	DESCRIPTION	DATE	DWN	APVD		
		SEE SHEET 1					

1. SHIPPED LOOSE PIECE AS SHOWN.



THIS DRAWING IS A CONTROLLED DOCUMENT FOR TYCO ELECTRONICS CORPORATION IT IS SUBJECT TO CHANGE AND THE CONTROLLING ENGINEERING ORGANIZATION SHOULD BE CONTACTED FOR THE LATEST REVISION.		DWN K. GLATFELTER 13APR2004	Tyco Electronics Harrisburg, PA 17105-3608	
DIMENSIONS: mm		CHK D. WERTMAN 06MAY2004	NAME SHELL KIT, JAM NUT RECEPT, 38999, MINI EB, AVIONICS CABLE	
TOLERANCES UNLESS OTHERWISE SPECIFIED:		APVD D. WERTMAN 10MAY2004	RESTRICTED TO	
0 PLC ± 1 PLC ± 2 PLC ± 3 PLC ± 4 PLC ± ANGLES ± FINISH		PRODUCT SPEC - APPLICATION SPEC -	SIZE A2	CAGE CODE 00779
MATERIAL - AS LISTED		WEIGHT -	DRAWING NO. C-1754519	SCALE 2:1
		CUSTOMER DRAWING	SHEET 2	OF 2
			REV F1	