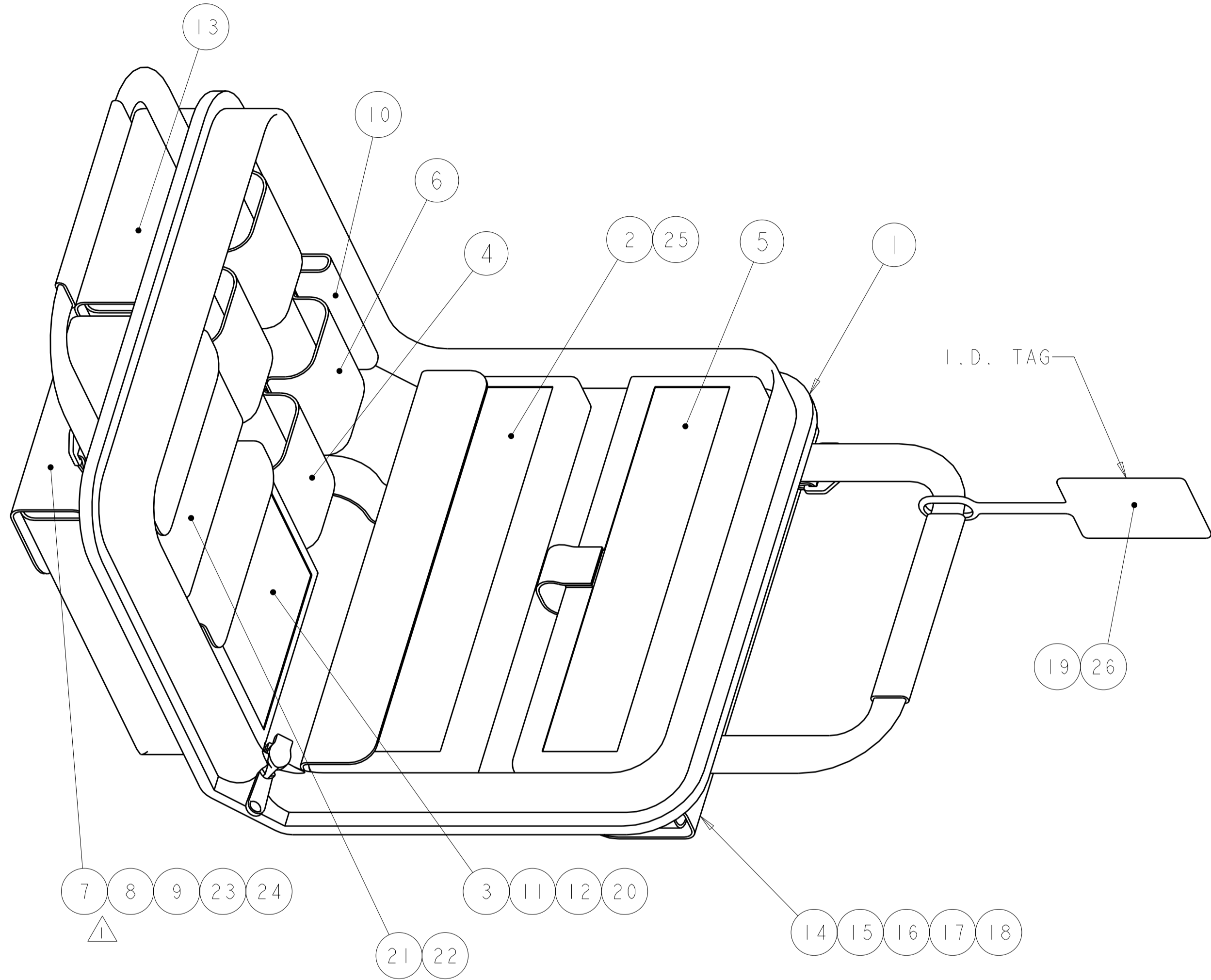


THIS DRAWING IS UNPUBLISHED. RELEASED FOR PUBLICATION 20  
 © COPYRIGHT 20 BY TYCO ELECTRONICS CORPORATION. ALL RIGHTS RESERVED.

LOC	DIST	REVISIONS					
CE	00	P	LTR	DESCRIPTION	DATE	DWN	APVD
		5		ENGINEERING CHANGES	16DEC2008	BB	DK
		6		ENGINEERING CHANGES	30MAR2009	KG	SB



DESIGN APPROVED THIS PRINT IS  
**PRELIMINARY**  
 TO FIRST PIECE APPROVAL  
 CONTACT PRODUCT ENGINEERING  
 BEFORE USING THIS PRINT

4	3	DESCRIPTION	PART NUMBER	ITEM
1	-	CASE LABEL, PRO BEAM MINI	1918254-2	26
1	1	TABLETOP ASSEMBLY FIXTURE	1918503-3	25
1	-	INSERT INSTALLATION TOOL	1918255-1	24
2	-	PLUG/SEALED BULKHEAD CURING FIXT.	1918023-1	23
10	10	CLEANING SWAB	1278817-1	22
1	1	POLISHING BUSHING	504862-1	21
1	1	FERRULE INSERTION TOOL	1693820-1	20
-	1	CASE LABEL, PRO BEAM JR	1918254-1	19
1	1	POLISHING PLATE	501197-1	18
1	1	1mm RUBBER POLISHING PAD	501858-1	17
20	20	FINAL POLISHING FILM	502748-2	16
10	10	0.3um POLISHING FILM	228433-5	15
10	10	5um POLISHING FILM	228433-8	14
5	5	EPOXY APPLICATOR KIT	501473-3	13
-	1	HOUSING KEY	1515831-1	12
-	1	EXPANDED BEAM INSERT ASS'Y FIXT.	1515844-1	11
1	1	CLEAVE TOOL	504064-1	10
4	4	LOW PROFILE BULKHEAD CURING FIXT.	1754122-1	9
-	2	STD. BULKHEAD CURING FIXTURE	1693800-1	8
-	2	PLUG CURING FIXTURE	1693797-1	7
1	1	FIBER STRIPPING TOOL (125um)	504024-1	6
1	1	HANDTOOL WITH DIESET	91382-1	5
1	1	KEVLAR SHEARS	1278637-1	4
1	1	CABLE JACKET STRIP TOOL	501198-1	3
1	1	200X MICROSCOPE	1754767-1	2
1	1	SOFT CARRY BAG	1278540-1	1
-2	-1	DESCRIPTION	PART NUMBER	ITEM

- 1 SHOULDER STRAP INCLUDED (NOT SHOWN).
- 2. THE FOLLOWING TOOLS ARE NECESSARY FOR PRODUCT TERMINATION BUT ARE NOT INCLUDED IN THE KIT: 15mm, 16mm, 17mm, AND 20mm U-WRENCH, A 2.0mm AND 2.5mm BALL END HEX DRIVER, AND EPOXY 504035-1.
- 3 INSTRUCTION SHEETS 408-8834, 408-8840, 408-8857, 408-10018, 408-10222, 408-10249, 408-10250, 408-10251, AND 408-10252 EXPLAIN THE PRO BEAM JR. TERMINATION TECHNIQUES.
- 4 INSTRUCTION SHEETS 408-10065, 408-10069, 408-10076, AND 408-10067 EXPLAIN THE PRO BEAM MINI TERMINATION TECHNIQUES.
- 5. INSTUCTION SHEETS ARE AVAILABLE FOR DOWNLOAD AT [www.tycoelectronics.com/documents](http://www.tycoelectronics.com/documents), THEN INPUT THE 408-NUMBER FOR THE LATEST REVISION.

THIS DRAWING IS A CONTROLLED DOCUMENT FOR TYCO ELECTRONICS CORPORATION. IT IS SUBJECT TO CHANGE AND THE CONTROLLING ENGINEERING ORGANIZATION SHOULD BE CONTACTED FOR THE LATEST REVISION.

DWN B. BRIGGS 30JAN2006  
 CHK D. KIRSCH 30JAN2006  
 APVD S. BUCHTER 30JAN2006

Tyco Electronics  
 Harrisburg, PA 17105-3608

**PRELIMINARY**

PRODUCT SPEC -  
 APPLICATION SPEC -  
 MATERIAL -  
 FINISH -

SIZE A2 CAGE CODE 00779 DRAWING NO. 1828650 RESTRICTED TO -  
 WEIGHT -  
 CUSTOMER DRAWING SCALE 1:2 SHEET 1 OF 1 REV 6