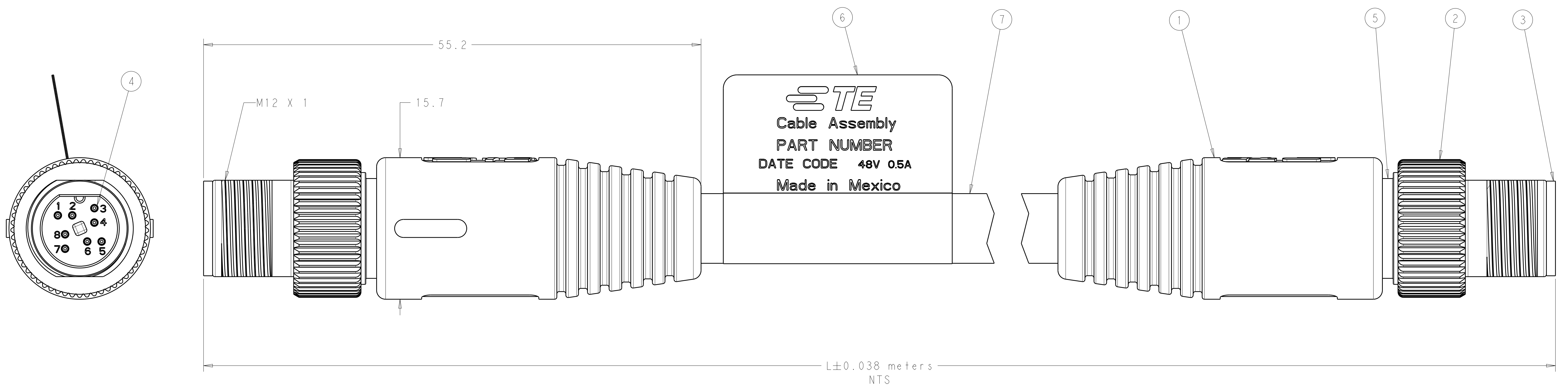


LOC	DIST	REV	DATE	BY	CHKD	APVD
-	-	1	-	WGL	-	-
-	-	2	26APR2012	RS	CG	-



WIRE TERMINATION CHART								
NO OF POSITIONS	PIN NUMBER							
	1	2	3	4	5	6	7	8
WIRE COLOR								
8	WHITE-ORANGE	ORANGE	WHITE-GREEN	GREEN	WHITE-BROWN	BROWN	WHITE-BLUE	BLUE
WIRE PAIRS	TWISTED PAIR #1		TWISTED PAIR #2		TWISTED PAIR #3		TWISTED PAIR #4	

ITEM	DESCRIPTION	MATERIAL	FINISH/COLOR	QUANTITY
1	BOOT	TBD	TBD	2
2	COUPLING RING	ZINC ALUMINUM ALLOY	NICKEL OVER COPPER	2
3	PIN HOUSING	LCP	BLACK	2
4	CONTACT	COPPER ALLOY	GOLD OVER NICKEL	16
5	SHEATH BODY	ZINC	NICKEL OVER COPPER	2
6	LABEL	POLYESTER	WHITE	1
7	CABLE	COPPER/TPU	BLACK	AR

10.0m	2154686-7
7.0m	2154686-6
5.0m	2154686-5
4.0m	2154686-4
3.0m	2154686-3
2.0m	2154686-2
1.0m	2154686-1
"L" METERS	PART NUMBER

- MUST COMPLY WITH DIRECTIVE 2002/95/EC (ROHS)
- THIS PRODUCT HAS NOT COMPLETED VALIDATION TESTING AS PER TE 102-8.
- LABEL INFORMATION TO INCLUDE TE PART NO., DATE CODE, RATING.
- CABLE ASSEMBLIES TO BE PACKAGED IN POLYBAGS.

THIS PRINT IS
PRELIMINARY
 THE INFORMATION CONTAINED IN THIS DOCUMENT IS CONFIDENTIAL AND PROPRIETARY TO TYCO ELECTRONICS
 DO NOT REPRODUCE OR DISTRIBUTE DESIGN IS SUBJECT TO CHANGE WITHOUT NOTICE

THIS DRAWING IS A CONTROLLED DOCUMENT.		DWN: W. G. LENKER 28 JUN 2011 CHK: C. GINGRICH 28 JUN 2011 APVD: -	NAME: STE Connect (V11) PRODUCT SPEC: - APPLICATION SPEC: - WEIGHT: - CUSTOMER DRAWING
DIMENSIONS: mm TOLERANCES UNLESS OTHERWISE SPECIFIED: 0 PLC ± 1 PLC ±0.5 2 PLC ± 3 PLC ± 4 PLC ± ANGLES ±	SIZE: A100779 CAGE CODE: C=2154686 SCALE: 1:1 SHEET: 1 OF 1 REV: 2	PRELIMINARY DOUBLE ENDED, UNSHIELDED CAT 6A, PIN CONNECTOR CABLE ASSEMBLY, 10 GIGABIT, M12	