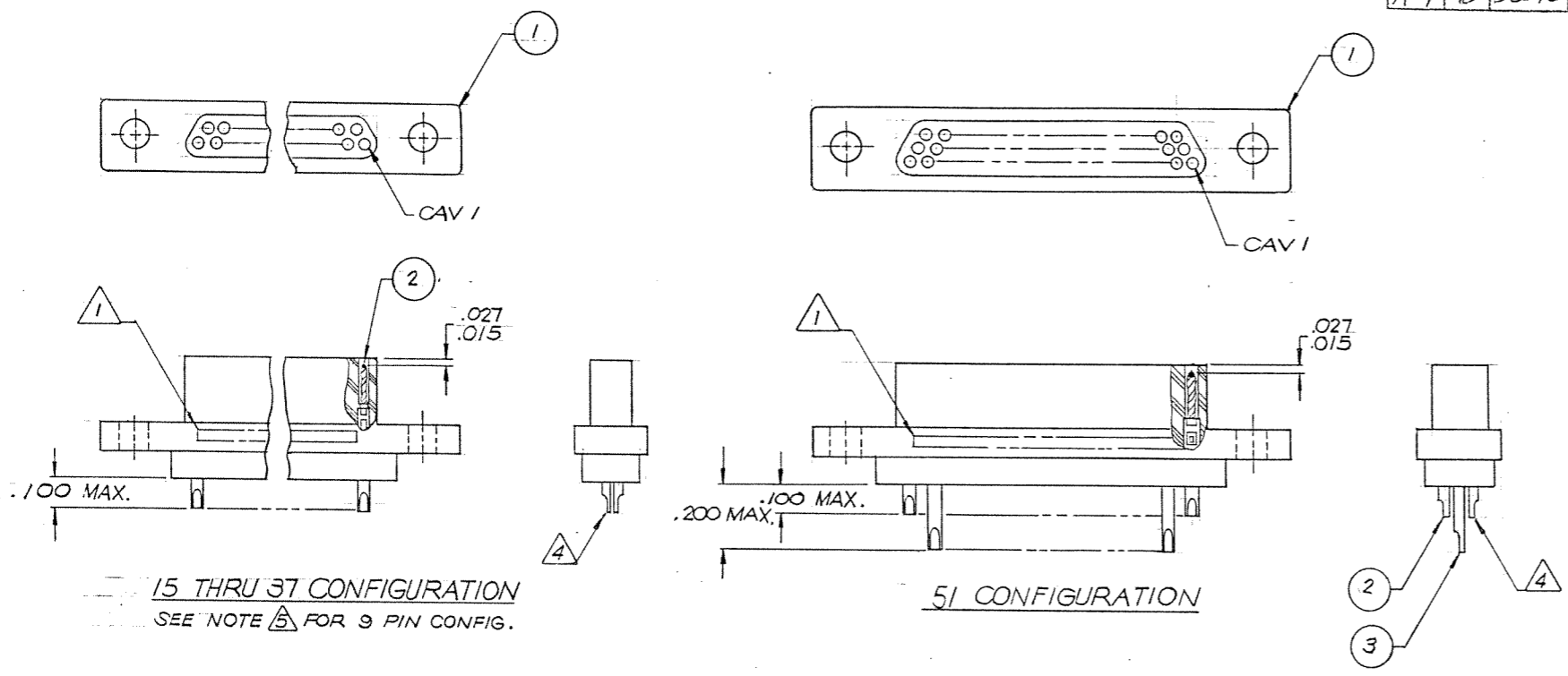


REVISIONS					
ZONE	LTR	ECN	DESCRIPTION	DATE	APPROVED
	A	29602	NEW RELEASE	8/13/85	<i>[Signature]</i>
A-1	B	35070	TITLE WAS: MCD93	8/27/84	<i>[Signature]</i>




15 THRU 3T CONFIGURATION  
SEE NOTE 5 FOR 9 PIN CONFIG.

51 CONFIGURATION

NOTES: UNLESS OTHERWISE SPECIFIED

- 1. MARK "MALCO" OR MALCO LOGO, PART NUMBER AND DATE CODE WITH .047 MIN. HIGH CHARACTERS IN APPROX. LOCATION SHOWN.
- 2. EPOXY AS SHOWN USING HYSOL #4215 AND #3561.
- 3. CRIMP SOLDER POTS INTO CONTACTS PER MEP 302-05.
- 4. THE CHAMFERED SIDE OF THE SOLDER POTS TO BE PARALLEL TO THE SIDES OF INSULATOR WITHIN 10°.
- 5. FOR 9 PIN CONFIGURATION, SEE 095-0603-2010.

Tyco Dwg 4-1532143-3  
Micro P/N 095-0000-0455

QTY REQD	CODE IDENT	PART OR IDENTIFYING NO.	NOMENCLATURE OR DESCRIPTION										
PARTS LIST													
UNLESS OTHERWISE SPECIFIED DIMENSIONS ARE IN INCHES TOLERANCES ARE:		CONTRACT NO.	 <b>MALCO</b> A MICRODOT COMPANY, INC. 220 PASADENA AVE., SO. PASADENA, CALIF. 91030										
FRACTIONS	DECIMALS	ANGLES		<table border="1"> <tr> <th>APPROVALS</th> <th>DATE</th> </tr> <tr> <td>DRAWN <i>C. TIONGCO</i></td> <td>8-1-85</td> </tr> <tr> <td>CHECKED <i>[Signature]</i></td> <td>8-6-85</td> </tr> <tr> <td>PR. ENG <i>[Signature]</i></td> <td>8-8-85</td> </tr> <tr> <td>APPD.</td> <td></td> </tr> </table>	APPROVALS	DATE	DRAWN <i>C. TIONGCO</i>	8-1-85	CHECKED <i>[Signature]</i>	8-6-85	PR. ENG <i>[Signature]</i>	8-8-85	APPD.
APPROVALS	DATE												
DRAWN <i>C. TIONGCO</i>	8-1-85												
CHECKED <i>[Signature]</i>	8-6-85												
PR. ENG <i>[Signature]</i>	8-8-85												
APPD.													
MATERIAL		<table border="1"> <tr> <td>PROD. CODE</td> <td>824</td> </tr> <tr> <td>CODE</td> <td>M</td> </tr> </table>	PROD. CODE	824	CODE	M							
PROD. CODE	824												
CODE	M												
FINISH		<table border="1"> <tr> <td>SIZE</td> <td>CODE IDENT NO.</td> <td>DRAWING NO.</td> </tr> <tr> <td>C</td> <td>98278</td> <td>095-0000-0455</td> </tr> </table>	SIZE	CODE IDENT NO.	DRAWING NO.	C	98278	095-0000-0455					
SIZE	CODE IDENT NO.	DRAWING NO.											
C	98278	095-0000-0455											
NEXT ASSY		<small>These drawings and specifications are the property of Microdot Inc., are issued in strict confidence and shall not be divulged, be reproduced or copied, or used as the basis for the manufacture or sale of any article without written permission of Microdot Inc.</small>											
USED ON		SCALE ~											
APPLICATION		SHEET / OF /											
DO NOT SCALE DRAWING													