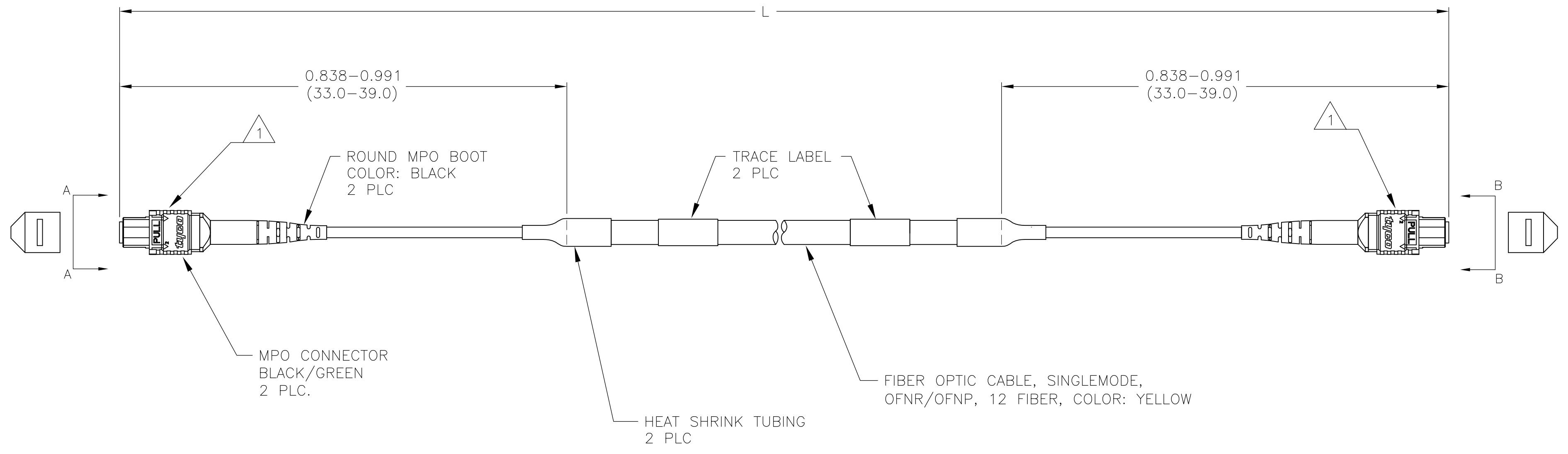
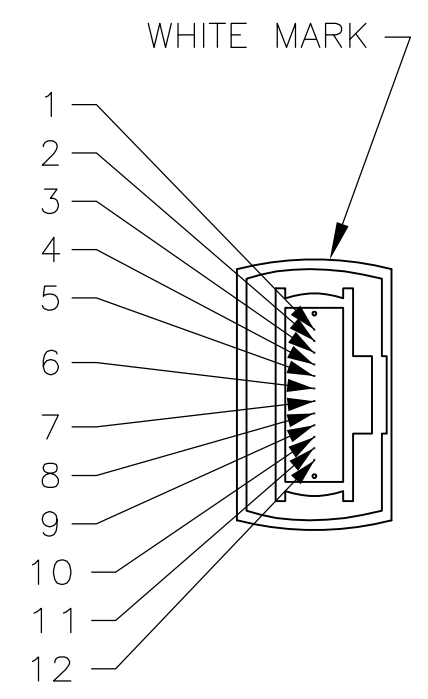


THIS DRAWING IS UNPUBLISHED. RELEASED FOR PUBLICATION
 © COPYRIGHT - By - ALL RIGHTS RESERVED.

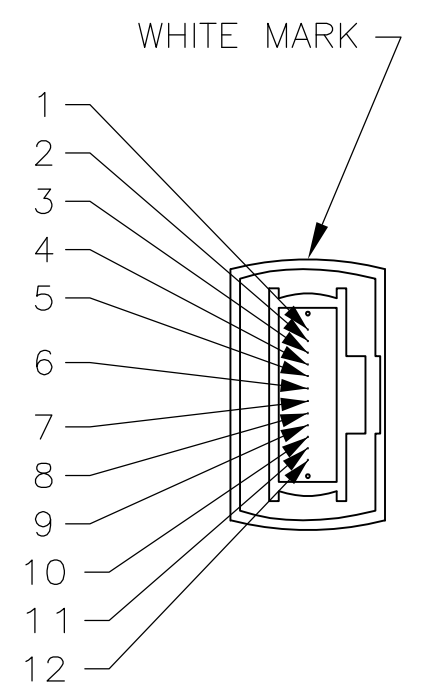
LOC		DIST		REVISIONS			
P	LTR	DESCRIPTION		DATE	DWN	APVD	
HP	00	B		REVISE PER ECO-12-006077	28MAR12	JS JS	



PAIRS FLIPPED FIBER PATH



FIBER #	COLOR
1	BLUE
2	ORANGE
3	GREEN
4	BROWN
5	SLATE
6	WHITE
7	RED
8	BLACK
9	YELLOW
10	VIOLET
11	ROSE
12	AQUA



FIBER #	COLOR
1	ORANGE
2	BLUE
3	BROWN
4	GREEN
5	WHITE
6	SLATE
7	BLACK
8	RED
9	VIOLET
10	YELLOW
11	AQUA
12	ROSE

VIEW A-A
NOT TO SCALE

VIEW B-B
NOT TO SCALE

THIS DRAWING IS A CONTROLLED DOCUMENT.		DWN	JOE DAVIS	07JUN2008		TE Connectivity		
DIMENSIONS: mm		CHK	JOE DAVIS	07JUN2008		NAME		
TOLERANCES UNLESS OTHERWISE SPECIFIED:		APVD	JOE DAVIS	07JUN2008		CABLE ASSEMBLY, FIBER OPTIC, SINGLEMODE, 12 FIBER, OFNR/OFNP, PAIRS FLIPPED, MPO TO MPO		
0 PLC ± - 1 PLC ± - 2 PLC ± - 3 PLC ± - 4 PLC ± - ANGLES ± - FINISH -		PRODUCT SPEC	-	APPLICATION SPEC		-	WEIGHT	-
MATERIAL		CUSTOMER DRAWING		SCALE	NTS	SHEET	1 of 4	
				SIZE	A2	CAGE CODE	00779	
				DRAWING NO	C=6435070		RESTRICTED TO	
				REV	B			

THIS DRAWING IS UNPUBLISHED. RELEASED FOR PUBLICATION
 © COPYRIGHT - By - ALL RIGHTS RESERVED.

LOC	DIST	REVISIONS					
HP	00	P	LTR	DESCRIPTION	DATE	DWN	APVD
		-		SEE SHEET 1	-	-	-

PART NUMBER	L (METERS)	L (FEET)	MPO (NO PINS)@1310nm BLACK/GREEN		MPO (NO PINS)@1550nm BLACK/GREEN	
			IL (dB)	RL (dB)	IL (dB)	RL (dB)
6435070-1	3.048-3.353	10.00-11.00	0.70	45	0.70	45
6435070-2	6.096-6.706	20.00-22.00	0.70	45	0.70	45
6435070-3	9.144-9.754	30.00-32.00	0.70	45	0.70	45
6435070-4	12.192-12.802	40.00-42.00	0.70	45	0.70	45
6435070-5	15.240-15.850	50.00-52.00	0.71	45	0.70	45
6435070-6	18.288-18.898	60.00-62.00	0.71	45	0.71	45
6435070-7	21.336-21.946	70.00-72.00	0.71	45	0.71	45
6435070-8	24.384-24.994	80.00-82.00	0.71	45	0.71	45
6435070-9	27.432-28.042	90.00-92.00	0.71	45	0.71	45
1-6435070-0	30.480-31.394	100.00-103.00	0.71	45	0.71	45
1-6435070-1	33.528-34.442	110.00-113.00	0.71	45	0.71	45
1-6435070-2	36.576-37.490	120.00-123.00	0.71	45	0.71	45
1-6435070-3	39.624-40.538	130.00-133.00	0.72	45	0.71	45
1-6435070-4	42.672-43.586	140.00-143.00	0.72	45	0.71	45
1-6435070-5	45.720-46.634	150.00-153.00	0.72	45	0.71	45
1-6435070-6	48.768-49.682	160.00-163.00	0.72	45	0.71	45
1-6435070-7	51.816-52.730	170.00-173.00	0.72	45	0.72	45
1-6435070-8	54.864-55.778	180.00-183.00	0.72	45	0.72	45
1-6435070-9	57.912-58.826	190.00-193.00	0.72	45	0.72	45
2-6435070-0	60.960-62.179	200.00-204.00	0.72	45	0.72	45
2-6435070-1	64.008-65.227	210.00-214.00	0.73	45	0.72	45
2-6435070-2	67.056-68.275	220.00-224.00	0.73	45	0.72	45
2-6435070-3	70.104-71.323	230.00-234.00	0.73	45	0.72	45
2-6435070-4	73.152-74.371	240.00-244.00	0.73	45	0.72	45
2-6435070-5	76.200-77.419	250.00-254.00	0.73	45	0.72	45
2-6435070-6	79.248-80.467	260.00-264.00	0.73	45	0.72	45
2-6435070-7	82.296-83.515	270.00-274.00	0.73	45	0.72	45
2-6435070-8	85.344-86.563	280.00-284.00	0.73	45	0.73	45
2-6435070-9	88.392-89.611	290.00-294.00	0.74	45	0.73	45
3-6435070-0	91.440-93.269	300.00-306.00	0.74	45	0.73	45
3-6435070-1	94.488-96.378	310.00-316.20	0.74	45	0.73	45
3-6435070-2	97.536-99.487	320.00-326.40	0.74	45	0.73	45
3-6435070-3	100.584-102.596	330.00-336.60	0.74	45	0.73	45
3-6435070-4	103.632-105.705	340.00-346.80	0.74	45	0.73	45
3-6435070-5	106.680-108.814	350.00-357.00	0.74	45	0.73	45
3-6435070-6	109.728-111.923	360.00-367.20	0.74	45	0.73	45
3-6435070-7	112.776-115.032	370.00-377.40	0.75	45	0.73	45
3-6435070-8	115.824-118.140	380.00-387.60	0.75	45	0.73	45
3-6435070-9	118.872-121.249	390.00-397.80	0.75	45	0.74	45
4-6435070-0	121.920-124.358	400.00-408.00	0.75	45	0.74	45
4-6435070-1	124.968-127.467	410.00-418.20	0.75	45	0.74	45
4-6435070-2	128.016-130.576	420.00-428.40	0.75	45	0.74	45
4-6435070-3	131.064-133.685	430.00-438.60	0.75	45	0.74	45
4-6435070-4	134.112-136.794	440.00-448.80	0.75	45	0.74	45
4-6435070-5	137.160-139.903	450.00-459.00	0.75	45	0.74	45
4-6435070-6	140.208-143.012	460.00-469.20	0.76	45	0.74	45
4-6435070-7	143.256-146.121	470.00-479.40	0.76	45	0.74	45
4-6435070-8	146.304-149.230	480.00-489.60	0.76	45	0.74	45
4-6435070-9	149.352-152.339	490.00-499.80	0.76	45	0.74	45
5-6435070-0	152.400-155.448	500.00-510.00	0.76	45	0.75	45


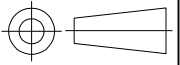
- 1. WHITE MARK ON CONNECTOR BODY INDICATES FIBER ONE SIDE.
- 2. PULLING SOCK IS INSTALLED OVER END ON OUTSIDE OF REEL ONLY. SEE SHEET 4 FOR DETAIL.
- 3. PROTECTIVE MPO HOUSING IS INSTALLED OVER ALL MPO CONNECTORS (DO NOT PULL ON PROTECTIVE COVER) SEE SHEET 4 FOR DETAIL.
- 4. CABLE ASSEMBLIES TESTED AT 1310nm AND 1550nm.
- 5. A COPY OF TEST DATA WILL BE PLACED INSIDE OR WITH THE UNIT PACKAGE.
- 6. PRODUCT AND PROCESSING MUST MEET REQUIREMENTS OF TE STANDARD TEC-138-702.
- 7. MAXIMUM CONNECTOR INSERTION LOSS IS 0.70dB PLUS CABLE LOSS OF 0.4dB/km WHEN TESTED AT 1310nm AND 0.3dB/km WHEN TESTED AT 1550nm.
- 8. MINIMUM CONNECTOR RETURN LOSS IS 45dB WHEN TESTED AT 1310nm OR 1550nm.

THIS DRAWING IS A CONTROLLED DOCUMENT.		DWN JOE DAVIS 07JUN2008		
		CHK JOE DAVIS 07JUN2008		
DIMENSIONS: mm		APVD JOE DAVIS 07JUN2008	NAME CABLE ASSEMBLY, FIBER OPTIC, SINGLEMODE, 12 FIBER, OFNR/OFNP, PAIRS FLIPPED, MPO TO MPO	
TOLERANCES UNLESS OTHERWISE SPECIFIED:		PRODUCT SPEC	SIZE A2	
0 PLC ± -		APPLICATION SPEC	CAGE CODE 00779	DRAWING NO 6435070
1 PLC ± -			RESTRICTED TO	
2 PLC ± -				
3 PLC ± -				
4 PLC ± -				
ANGLES ± -				
FINISH		WEIGHT	SCALE NTS	
			SHEET 2 of 4	
			REV B	
		CUSTOMER DRAWING		

THIS DRAWING IS UNPUBLISHED. RELEASED FOR PUBLICATION
 © COPYRIGHT - By - ALL RIGHTS RESERVED.

LOC	DIST	REVISIONS					
HP	00	P	LTR	DESCRIPTION	DATE	DWN	APVD
		-		SEE SHEET 1	-	-	-

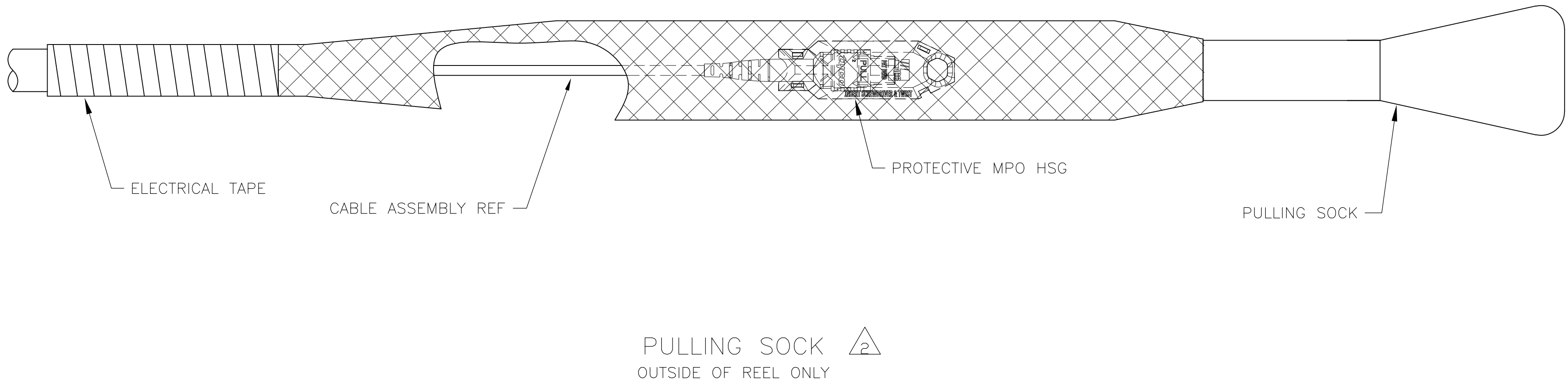
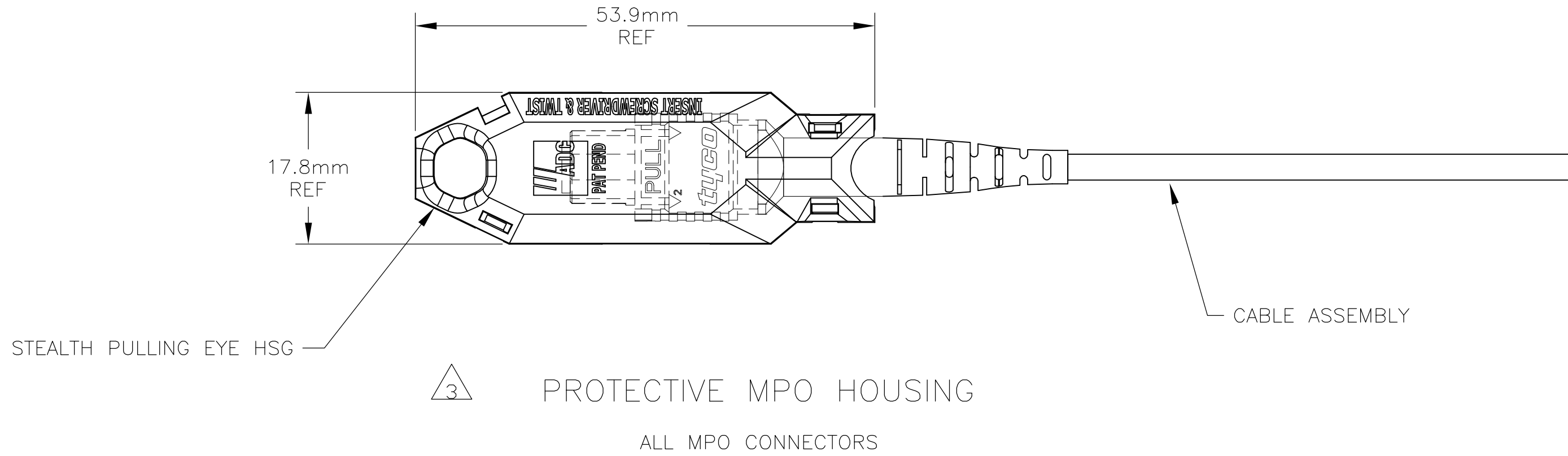
PART NUMBER	L (METERS)	L (FEET)	MPO (NO PINS)@1310nm BLACK/GREEN		MPO (NO PINS)@1550nm BLACK/GREEN	
			IL (dB)	RL (dB)	IL (dB)	RL (dB)
5-6435070-1	160.020-163.220	525.00-535.50	0.76	45	0.75	45
5-6435070-2	167.640-170.993	550.00-561.00	0.77	45	0.75	45
5-6435070-3	175.260-178.765	575.00-586.50	0.77	45	0.75	45
5-6435070-4	182.880-186.538	600.00-612.00	0.77	45	0.75	45
5-6435070-5	190.500-194.310	625.00-637.50	0.78	45	0.76	45
5-6435070-6	198.120-202.082	650.00-663.00	0.78	45	0.76	45
5-6435070-7	205.740-209.855	675.00-688.50	0.78	45	0.76	45
5-6435070-8	213.360-217.627	700.00-714.00	0.79	45	0.76	45
5-6435070-9	220.980-225.400	725.00-739.50	0.79	45	0.77	45
6-6435070-0	228.600-233.172	750.00-765.00	0.79	45	0.77	45
6-6435070-1	236.220-240.944	775.00-790.50	0.79	45	0.77	45
6-6435070-2	243.840-248.717	800.00-816.00	0.80	45	0.77	45
6-6435070-3	251.460-256.489	825.00-841.50	0.80	45	0.78	45
6-6435070-4	259.080-264.262	850.00-867.00	0.80	45	0.78	45
6-6435070-5	266.700-272.034	875.00-892.50	0.81	45	0.78	45
6-6435070-6	274.320-279.806	900.00-918.00	0.81	45	0.78	45
6-6435070-7	281.940-287.579	925.00-943.50	0.81	45	0.78	45
6-6435070-8	289.560-295.351	950.00-969.00	0.82	45	0.79	45
6-6435070-9	297.180-303.124	975.00-994.50	0.82	45	0.79	45
7-6435070-0	304.800-310.896	1000.00-1020.00	0.82	45	0.79	45
8-6435070-1	4.572-4.877	15.00-16.00	0.70	45	0.70	45
8-6435070-2	16.764-17.374	55.00-57.00	0.71	45	0.71	45
8-6435070-3	19.812-20.422	65.00-67.00	0.71	45	0.71	45
8-6435070-4	13.106-13.716	43.00-45.00	0.71	45	0.70	45
8-6435070-5	32.003-32.917	105.00-108.00	0.71	45	0.71	45
8-6435070-6	457.200-466.344	1500.00-1530.00	0.88	45	0.84	45

THIS DRAWING IS A CONTROLLED DOCUMENT.		DWN	JOE DAVIS	07JUN2008	 TE Connectivity
DIMENSIONS:		CHK	JOE DAVIS	07JUN2008	
mm		APVD	JOE DAVIS	07JUN2008	
		PRODUCT SPEC			
TOLERANCES UNLESS OTHERWISE SPECIFIED:		APPLICATION SPEC			
0 PLC ± -		WEIGHT		-	
1 PLC ± -		SCALE		A2 00779	
2 PLC ± -		SHEET		3 of 4	
3 PLC ± -		REV		B	
4 PLC ± -		CUSTOMER DRAWING			
ANGLES ± -		RESTRICTED TO		-	
FINISH		DRAWING NO		C=6435070	
-		SIZE		A2	
		CAGE CODE		00779	

6435070

THIS DRAWING IS UNPUBLISHED. RELEASED FOR PUBLICATION
 © COPYRIGHT - By - ALL RIGHTS RESERVED.

LOC	DIST	REVISIONS					
HP	00	P	LTR	DESCRIPTION	DATE	DWN	APVD
		-		SEE SHEET 1	-	-	-



THIS DRAWING IS A CONTROLLED DOCUMENT.		DWN	JOE DAVIS	07JUN2008		TE Connectivity		
DIMENSIONS: mm		CHK	JOE DAVIS	07JUN2008		NAME		
TOLERANCES UNLESS OTHERWISE SPECIFIED:		APVD	JOE DAVIS	07JUN2008		CABLE ASSEMBLY, FIBER OPTIC, SINGLEMODE, 12 FIBER, OFNR/OFNP, PAIRS FLIPPED, MPO TO MPO		
0 PLC ± - 1 PLC ± - 2 PLC ± - 3 PLC ± - 4 PLC ± - ANGLES ± -		PRODUCT SPEC				SIZE	CAGE CODE	DRAWING NO
MATERIAL		FINISH			WEIGHT	A2 00779 C-6435070		
		CUSTOMER DRAWING		SCALE	NTS	SHEET	4 OF 4	
				REV	B			