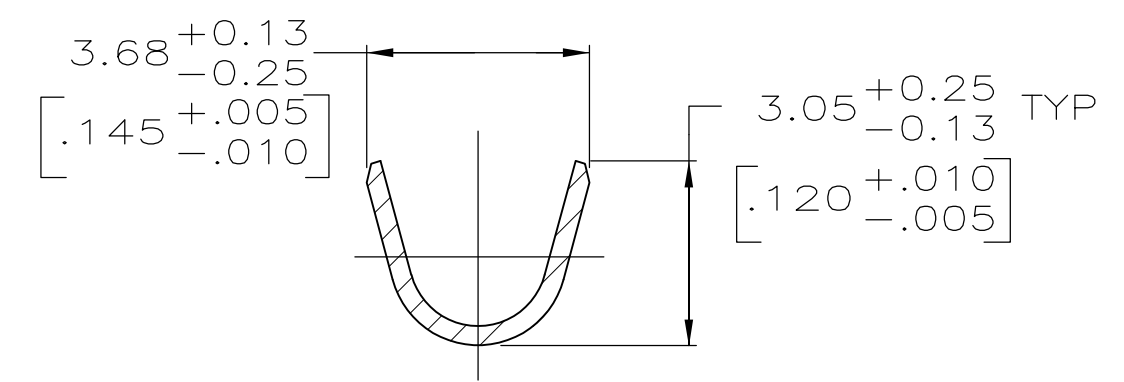
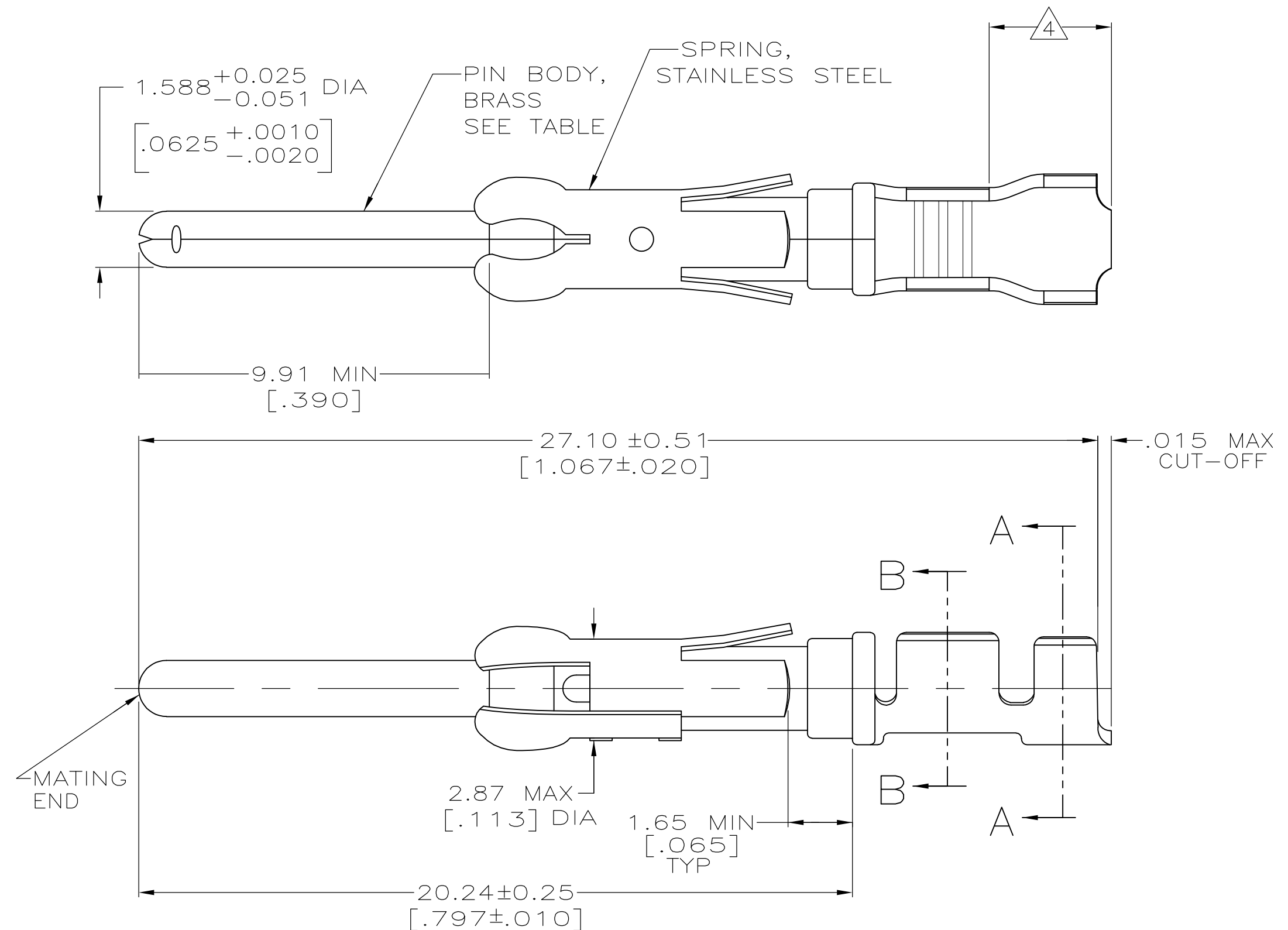
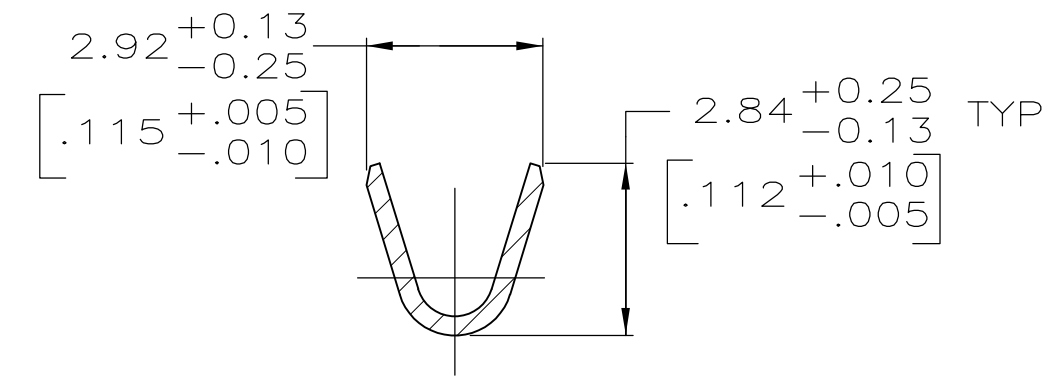


THIS DRAWING IS UNPUBLISHED. RELEASED FOR PUBLICATION  
 © COPYRIGHT - - ALL RIGHTS RESERVED.

LOC	DIST	REVISIONS			
P	LTR	DESCRIPTION	DATE	DWN	APVD
FT	47	F	REVISED PER ECO-12-012316	05JUL12	KH MZ



SECTION A-A



SECTION B-B

- 1 0.76µm [.000030] MIN PRECIOUS METAL PLATE ON MATING END FOR A LENGTH OF 5.08 [.200] MIN WITH 1.27µm [.000050] MIN MATTE TIN PLATE IN WIRE CRIMP AREA, BOTH OVER 1.27µm [.000050] MIN NICKEL PLATE. CONFORMS TO THE REQUIREMENTS OF TE CONNECTIVITY PRODUCT SPEC 108-10042, BASED ON EIA/ECA-364-1000.01A ( CONTROLLED ENVIRONMENT APPLICATIONS ).
- 2 0.76µm [.000030] MIN PRECIOUS METAL PLATE ON MATING END FOR A LENGTH OF 5.08 [.200] MIN WITH A UNIFORM GRADIENT TO 0.25µm [.000010] ON REMAINDER, OVER 1.27µm [.000050] MIN NICKEL PLATE. GOLD FLASH ALL OVER. CONFORMS TO THE REQUIREMENTS OF TE CONNECTIVITY PRODUCT SPEC 108-10042, BASED ON EIA/ECA-364-1000.01A ( CONTROLLED ENVIRONMENT APPLICATIONS ).
- 3 0.38µm [.000015] MIN GOLD PER MIL-G-45204 ON MATING END FOR A LENGTH OF 5.08 [.200] MIN WITH 1.27µm [.000050] MIN MATTE TIN PLATE IN WIRE CRIMP AREA, BOTH OVER 1.27µm [.000050] MIN NICKEL PER QQ-N-290.
- 4 GOLD PLATING NOT REQUIRED IN THIS AREA.
- 5 1.27µm [.000050] MIN TIN-LEAD PER MIL-T-10727 OVER 1.27µm [.000050] MIN NICKEL PER QQ-N-290.
- 6 WIRE RANGE 18-16 AWG.
- 7 INSULATION RANGE 2.03[.080]-2.54[.100] DIA.
- 8 0.38µm [.000015] MIN GOLD PER MIL-G-45204 ON MATING END FOR A LENGTH OF 5.08 [.200] MIN, 1.27µm [.000050] MIN TIN-LEAD PER MIL-T-10727 ON OPPOSITE END FOR A LENGTH OF 5.69 [.224] MIN, BOTH OVER 1.27µm [.000050] MIN NICKEL PER QQ-N-290.
- 9 1.27µm [.000050] MIN TIN PER MIL-T-10727 OVER 1.27µm [.000050] MIN NICKEL PER QQ-N-290.

SMALL PACK	9	1-66098-8	1-66099-6
STANDARD	9	1-66098-8	1-66099-5
SMALL PACK	1	66098-4	1-66099-4
SMALL PACK	3	66098-3	1-66099-3
SMALL PACK	5	66098-2	1-66099-2
SMALL PACK	2	66098-1	1-66099-1
OBSELETE STANDARD	8	1-66098-6	1-66099-0
STANDARD	1	66098-4	66099-4
STANDARD	3	66098-3	66099-3
STANDARD	5	66098-2	66099-2
STANDARD	2	66098-1	66099-1
PACKAGING TYPE	CONTACT FINISH	STRIP P/N REF	PART NO

THIS DRAWING IS A CONTROLLED DOCUMENT.

DWN	05/29/92	 TE Connectivity	PIN ASSEMBLY, LOOSE PIECE, TYPE III+
L.SIPE	6-11-92		
CHK	W.LENKER		
APVD	G.STEINHAUER		
MATERIAL	SEE CALLOUTS	WEIGHT	-
DIMENSIONS:	TOLERANCES UNLESS OTHERWISE SPECIFIED:	FINISH	SEE CALLOUTS
mm [INCHES]	0 PLC ± - 1 PLC ± - 2 PLC ± 0.13 [.005] 3 PLC ± - 4 PLC ± - ANGLES ± -	PRODUCT SPEC	-
		APPLICATION SPEC	-
		WEIGHT	-
		CUSTOMER DRAWING	SCALE 8:1 SHEET 1 OF 1 REV F

SIZE A2 CAGE CODE 00779 DRAWING NO C=66099 RESTRICTED TO -