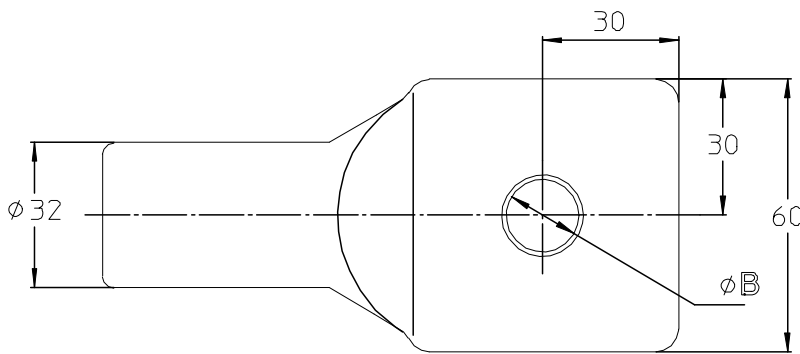
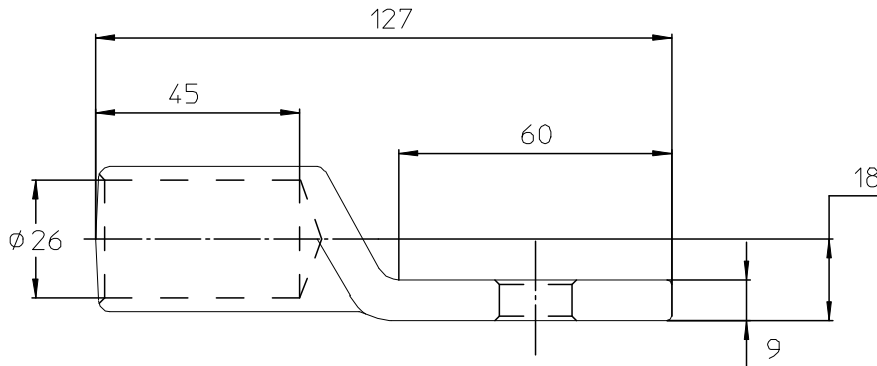
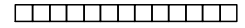
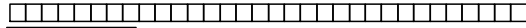


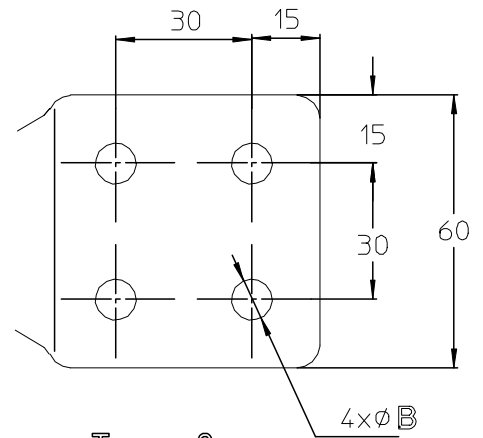
LOC	DIST	REVISIONS					
FH	2	P	LTR REV	DESCRIPTION MODIFICATIONS	DATE	DWN DESS.	APVD APP.
			0	Creation	23-Nov-99	CA	JT
			A	Added reference	28-Jan-00	CA	JT
			B	Added reference	16-Jui-03	GC	JT

MARQUAGE: REFERENCE, LOGO, LOT FAB., OUTILLAGE

OUTILLAGE: E 400 CU



Type 1



Type 2

ETAMÉ / TINNED	1	14,5	DPD7 400/60x60-D14,5 T	1-709221-3
ETAMÉ / TINNED	2	9	DPD7 400/60x60-4D9x30 T	709221-6
N.A	1	20	DPD7 400/60x60-D20	709221-4
N.A	2	16,5	DPD7 400/60x60-2D16,5x33	709221-3
N.A	1	14,5	DPD7 400/60x60-D14,5	709221-2
N.A	-	without hole	DPD7 400/60x60-NP	709221-1
PROTECTION	Type	Ø B	DESCRIPTION	Part Number

RELEASED FOR PUBLICATION
 ALL RIGHTS RESERVED.
 TOUS DROITS RÉSERVÉS
 BY TYCO ELECTRONICS SIMEL
 THIS DRAWING IS UNPUBLISHED.
 DIFFUSION RESEINTE AMP
 © COPYRIGHT 19

DIMENSIONS:	DWN /DESSINE	27-Jan-00	MATERIAL	Cuivre / Copper	FINISH	-
mm	ANDRE		MATIERE		FINITION	
TOLERANCES UNLESS OTHERWISE SPECIFIED PER TOLERANCES NON SPECIFIEES SELON :	CHK /VERIFIE	-	21220 Gevrey Chambertin FRANCE			
	GOLDITE	-				
	APVD /APPROUVE	-				
	THIARD	-				
PRODUCT SPEC	NAME		DPD7 400/60x60 ..			
SPEC. PRODUIT	TITRE					
APPLICATION SPEC	SIZE	CAGE CODE	DRAWING NO	No PLAN		
SPEC. APPLICATION	FORMAT	00779	© = 709221			
WEIGHT	450g	A4				
MASSE APPROX.	CUSTOMER DWG / PLAN CLIENT		UNIQUEMENT	SCALE	SHEET	OF
			POUR REFERENCE	ECHELLE - / -	FEUILLE	DE
					1	1
					REV	B