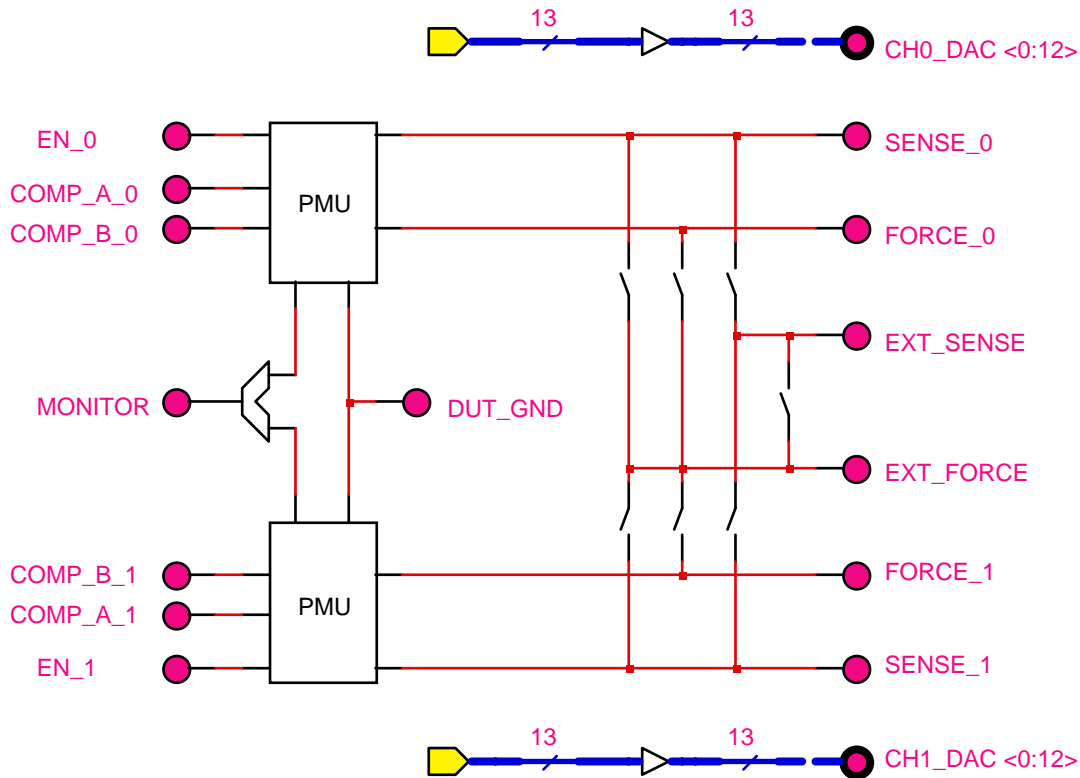


# SOC Pin Electronics Companion

## PMU / DAC / Resistive Load



### Per Pin PMU

- FV, FI, MV, MI
- 8 Current Ranges  
(32 mA, 8 mA, 2 mA, 512  $\mu$ A, 128  $\mu$ A, 32  $\mu$ A, 8  $\mu$ A, 2  $\mu$ A)
- 14V FV Range
- FI Voltage Clamps
- FV Current Clamps
- On Chip Current Ganging
- Supports 64 mA / Channel in FV Mode

### On Chip DAC Levels

- All PMU Levels Generated On Chip
- 13 Levels / Channel Brought Off Chip
- 16 Bits per Level
- 16 Bit per Level Offset Correction
- 16 Bit per Level Gain Correction

### Resistive Load

- 8 Resistance Options
- High Speed Real Time Control

### External Force / Sense Switches On Chip

### Package / Power Dissipation

- 56 Lead, 8 mm X 8 mm, MLF w/ Exposed Heat Slug
- $Pd_q \leq 500$  mW / Channel;  $Pd_q \leq 1$  W / Chip  
(No Output Current)
- $Pd_{max} \leq 800$  mW / Channel;  $Pd_{max} \leq 1.6$  W / Chip  
(Maximum output Current)

### 3 Bit Serial CPU Port

Product Status	Revision Date
<b>Production</b>	<b>11 / 20 / 07</b>