

74AUP1T34-Q100

Low-power dual supply translating buffer

Rev. 1 — 5 June 2013

Product data sheet

1. General description

The 74AUP1T34-Q100 provides a single buffer with two separate supply voltages. Input A is designed to track $V_{CC(A)}$. Output Y is designed to track $V_{CC(Y)}$. Both, $V_{CC(A)}$ and $V_{CC(Y)}$ accepts any supply voltage from 1.1 V to 3.6 V. This feature allows universal low voltage interfacing between any of the 1.2 V, 1.5 V, 1.8 V, 2.5 V, and 3.3 V voltage nodes.

Schmitt trigger action at all inputs makes the circuit tolerant to slower input rise and fall times across the entire V_{CC} range from 1.1 V to 3.6 V. This device ensures a very low static and dynamic power consumption across the entire V_{CC} range from 1.1 V to 3.6 V. This device is fully specified for partial power-down applications using I_{OFF} . The I_{OFF} circuitry disables the output, preventing the damaging backflow current through the device when it is powered down.

This product has been qualified to the Automotive Electronics Council (AEC) standard Q100 (Grade 1) and is suitable for use in automotive applications.

2. Features and benefits

- Automotive product qualification in accordance with AEC-Q100 (Grade 1)
 - ◆ Specified from $-40\text{ }^{\circ}\text{C}$ to $+85\text{ }^{\circ}\text{C}$ and from $-40\text{ }^{\circ}\text{C}$ to $+125\text{ }^{\circ}\text{C}$
- Wide supply voltage range from 1.1 V to 3.6 V
- High noise immunity
- Complies with JEDEC standards:
 - ◆ JESD8-7 (1.2 V to 1.95 V)
 - ◆ JESD8-5 (1.8 V to 2.7 V)
 - ◆ JESD8-B (2.7 V to 3.6 V)
- ESD protection:
 - ◆ MIL-STD-883, method 3015 Class 3A. Exceeds 5000 V
 - ◆ HBM JESD22-A114F Class 3A. Exceeds 5000 V
 - ◆ MM JESD22-A115-A exceeds 200 V ($C = 200\text{ pF}$, $R = 0\ \Omega$)
- Wide supply voltage range:
 - ◆ $V_{CC(A)}$: 1.1 V to 3.6 V
 - ◆ $V_{CC(Y)}$: 1.1 V to 3.6 V
- Low static power consumption; $I_{CC} = 0.9\ \mu\text{A}$ (maximum)
- Each port operates over the full 1.1 V to 3.6 V power supply range
- Latch-up performance exceeds 100 mA per JESD 78 Class II
- Inputs accept voltages up to 3.6 V
- Low noise overshoot and undershoot $< 10\%$ of V_{CC}
- I_{OFF} circuitry provides partial Power-down mode operation



3. Ordering information

Table 1. Ordering information

Type number	Package			Version
	Temperature range	Name	Description	
74AUP1T34GW-Q100	-40 °C to +125 °C	TSSOP5	plastic thin shrink small outline package; 5 leads; body width 1.25 mm	SOT353-1

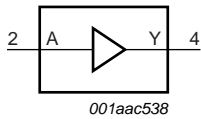
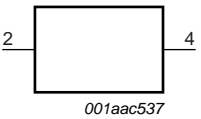
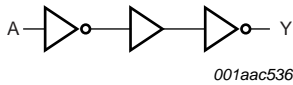
4. Marking

Table 2. Marking

Type number	Marking code ^[1]
74AUP1T34GW-Q100	pQ

[1] The pin 1 indicator is located on the lower left corner of the device, below the marking code.

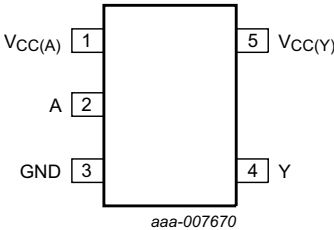
5. Functional diagram

 <p>001aac538</p>	 <p>001aac537</p>	 <p>001aac536</p>
Fig 1. Logic symbol	Fig 2. IEC logic symbol	Fig 3. Logic diagram

6. Pinning information

6.1 Pinning

74AUP1T34-Q100



aaa-007670

Fig 4. Pin configuration SOT353-1

6.2 Pin description

Table 3. Pin description

Symbol	Pin	Description
$V_{CC(A)}$	1	supply voltage port A
A	2	data input A
GND	3	ground (0 V)
Y	4	data output Y
$V_{CC(Y)}$	5	supply voltage port Y

7. Functional description

Table 4. Function table^[1]

Input	Output
A	Y
L	L
H	H

[1] H = HIGH voltage level; L = LOW voltage level.

8. Limiting values

Table 5. Limiting values

In accordance with the Absolute Maximum Rating System (IEC 60134). Voltages are referenced to GND (ground = 0 V).

Symbol	Parameter	Conditions	Min	Max	Unit
$V_{CC(A)}$	supply voltage A		-0.5	+4.6	V
$V_{CC(Y)}$	supply voltage Y		-0.5	+4.6	V
I_{IK}	input clamping current	$V_I < 0$ V	-50	-	mA
V_I	input voltage		[1] -0.5	+4.6	V
I_{OK}	output clamping current	$V_O < 0$ V	-50	-	mA
V_O	output voltage	Active mode and Power-down mode	[1] -0.5	+4.6	V
I_O	output current	$V_O = 0$ V to $V_{CC(Y)}$	-	±20	mA
I_{CC}	supply current		-	50	mA
I_{GND}	ground current		-50	-	mA
T_{stg}	storage temperature		-65	+150	°C
P_{tot}	total power dissipation	$T_{amb} = -40$ °C to +125 °C	[2] -	250	mW

[1] The minimum input and output voltage ratings may be exceeded if the input and output current ratings are observed.

[2] For TSSOP5 packages: above 87.5 °C the value of P_{tot} derates linearly with 4.0 mW/K.

9. Recommended operating conditions

Table 6. Recommended operating conditions

Symbol	Parameter	Conditions	Min	Max	Unit
$V_{CC(A)}$	supply voltage A		1.1	3.6	V
$V_{CC(Y)}$	supply voltage Y		1.1	3.6	V
V_I	input voltage		0	3.6	V
V_O	output voltage		0	$V_{CC(Y)}$	V
T_{amb}	ambient temperature		-40	+125	°C
$\Delta t/\Delta V$	input transition rise and fall rate	control and data inputs; $V_{CC(A)} = 1.1\text{ V to }3.6\text{ V}$	0	200	ns/V

10. Static characteristics

Table 7. Static characteristics

At recommended operating conditions; voltages are referenced to GND (ground = 0 V).

Symbol	Parameter	Conditions	Min	Typ	Max	Unit
$T_{amb} = 25\text{ °C}$						
V_{IH}	HIGH-level input voltage	$V_{CC(A)} = 1.1\text{ V to }1.95\text{ V}; V_{CC(Y)} = 1.1\text{ V to }3.6\text{ V}$	$0.65 \times V_{CC(A)}$	-	-	V
		$V_{CC(A)} = 2.3\text{ V to }2.7\text{ V}; V_{CC(Y)} = 1.1\text{ V to }3.6\text{ V}$	1.6	-	-	V
		$V_{CC(A)} = 3.0\text{ V to }3.6\text{ V}; V_{CC(Y)} = 1.1\text{ V to }3.6\text{ V}$	2.0	-	-	V
V_{IL}	LOW-level input voltage	$V_{CC(A)} = 1.1\text{ V to }1.95\text{ V}; V_{CC(Y)} = 1.1\text{ V to }3.6\text{ V}$	-	-	$0.35 \times V_{CC(A)}$	V
		$V_{CC(A)} = 2.3\text{ V to }2.7\text{ V}; V_{CC(Y)} = 1.1\text{ V to }3.6\text{ V}$	-	-	0.7	V
		$V_{CC(A)} = 3.0\text{ V to }3.6\text{ V}; V_{CC(Y)} = 1.1\text{ V to }3.6\text{ V}$	-	-	0.9	V
V_{OH}	HIGH-level output voltage	$V_I = V_{IH}$				
		$I_O = -20\text{ }\mu\text{A}; V_{CC(A)} = V_{CC(Y)} = 1.1\text{ V to }3.6\text{ V}$	$V_{CC(Y)} - 0.1$	-	-	V
		$I_O = -1.1\text{ mA}; V_{CC(A)} = V_{CC(Y)} = 1.1\text{ V}$	$0.75 \times V_{CC(Y)}$	-	-	V
		$I_O = -1.7\text{ mA}; V_{CC(A)} = V_{CC(Y)} = 1.4\text{ V}$	1.11	-	-	V
		$I_O = -1.9\text{ mA}; V_{CC(A)} = V_{CC(Y)} = 1.65\text{ V}$	1.32	-	-	V
		$I_O = -2.3\text{ mA}; V_{CC(A)} = V_{CC(Y)} = 2.3\text{ V}$	2.05	-	-	V
		$I_O = -3.1\text{ mA}; V_{CC(A)} = V_{CC(Y)} = 2.3\text{ V}$	1.9	-	-	V
		$I_O = -2.7\text{ mA}; V_{CC(A)} = V_{CC(Y)} = 3.0\text{ V}$	2.72	-	-	V
V_{OL}	LOW-level output voltage	$V_I = V_{IL}$				
		$I_O = 20\text{ }\mu\text{A}; V_{CC(A)} = V_{CC(Y)} = 1.1\text{ V to }3.6\text{ V}$	-	-	0.1	V
		$I_O = 1.1\text{ mA}; V_{CC(A)} = V_{CC(Y)} = 1.1\text{ V}$	-	-	$0.3 \times V_{CC(Y)}$	V
		$I_O = 1.7\text{ mA}; V_{CC(A)} = V_{CC(Y)} = 1.4\text{ V}$	-	-	0.31	V
		$I_O = 1.9\text{ mA}; V_{CC(A)} = V_{CC(Y)} = 1.65\text{ V}$	-	-	0.31	V
		$I_O = 2.3\text{ mA}; V_{CC(A)} = V_{CC(Y)} = 2.3\text{ V}$	-	-	0.31	V
		$I_O = 3.1\text{ mA}; V_{CC(A)} = V_{CC(Y)} = 2.3\text{ V}$	-	-	0.44	V
		$I_O = 2.7\text{ mA}; V_{CC(A)} = V_{CC(Y)} = 3.0\text{ V}$	-	-	0.31	V
I_I	input leakage current	$V_I = 0\text{ V to }3.6\text{ V}; V_{CC(A)} = V_{CC(Y)} = 1.1\text{ V to }3.6\text{ V}$	-	-	± 0.1	μA

Table 7. Static characteristics ...continued

At recommended operating conditions; voltages are referenced to GND (ground = 0 V).

Symbol	Parameter	Conditions	Min	Typ	Max	Unit
I _{OFF}	power-off leakage current	Input A; V _I = 0 V to 3.6 V; V _{CC(A)} = 0 V; V _{CC(Y)} = 0 V to 3.6 V	-	-	±0.2	μA
		Output Y; V _O = 0 V to 3.6 V; V _{CC(A)} = 0 V to 3.6 V; V _I = 0 V or 3.6 V; V _{CC(Y)} = 0 V	-	-	±0.2	μA
ΔI _{OFF}	additional power-off leakage current	Input A; V _I = 0 V to 3.6 V; V _{CC(A)} = 0 V to 0.2 V; V _{CC(Y)} = 0 V to 3.6 V	-	-	±0.2	μA
		Output Y; V _O = 0 V to 3.6 V; V _{CC(A)} = 0 V to 3.6 V; V _I = 0 V or 3.6 V; V _{CC(Y)} = 0 V to 0.2 V	-	-	±0.2	μA
I _{CC}	supply current	port A; V _I = GND or V _{CC(A)} ; I _O = 0 A				
		V _{CC(A)} = V _{CC(Y)} = 1.1 V to 3.6 V	-	-	0.5	μA
		V _{CC(A)} = 3.6 V; V _{CC(Y)} = 0 V	-	-	0.5	μA
		V _{CC(A)} = 0 V; V _{CC(Y)} = 3.6 V	-	0.0	-	μA
		port Y; V _I = GND or V _{CC(A)} ; I _O = 0 A				
		V _{CC(A)} = V _{CC(Y)} = 1.1 V to 3.6 V	-	-	0.5	μA
		V _{CC(A)} = 3.6 V; V _{CC(Y)} = 0 V	-	0.0	-	μA
		V _{CC(A)} = 0 V; V _{CC(Y)} = 3.6 V	-	-	0.5	μA
ΔI _{CC}	additional supply current	Input A; V _{CC(A)} = 3.3 V; V _{CC(Y)} = 0 V to 3.6 V; V _I = V _{CC(A)} - 0.6 V	-	-	40	μA
C _I	input capacitance	Input A; V _{CC(A)} = V _{CC(Y)} = 0 V to 3.6 V; V _I = GND or V _{CC(A)}	-	1.0	-	pF
C _O	output capacitance	Output Y; V _O = GND; V _{CC(Y)} = 0 V; V _{CC(A)} = 0 V to 3.6 V	-	1.8	-	pF
T_{amb} = -40 °C to +85 °C						
V _{IH}	HIGH-level input voltage	V _{CC(A)} = 1.1 V to 1.95 V; V _{CC(Y)} = 1.1 V to 3.6 V	0.65 × V _{CC(A)}	-	-	V
		V _{CC(A)} = 2.3 V to 2.7 V; V _{CC(Y)} = 1.1 V to 3.6 V	1.6	-	-	V
		V _{CC(A)} = 3.0 V to 3.6 V; V _{CC(Y)} = 1.1 V to 3.6 V	2.0	-	-	V
V _{IL}	LOW-level input voltage	V _{CC(A)} = 1.1 V to 1.95 V; V _{CC(Y)} = 1.1 V to 3.6 V	-	-	0.35 × V _{CC(A)}	V
		V _{CC(A)} = 2.3 V to 2.7 V; V _{CC(Y)} = 1.1 V to 3.6 V	-	-	0.7	V
		V _{CC(A)} = 3.0 V to 3.6 V; V _{CC(Y)} = 1.1 V to 3.6 V	-	-	0.9	V
V _{OH}	HIGH-level output voltage	V _I = V _{IH}				
		I _O = -20 μA; V _{CC(A)} = V _{CC(Y)} = 1.1 V to 3.6 V	V _{CC(Y)} - 0.1	-	-	V
		I _O = -1.1 mA; V _{CC(A)} = V _{CC(Y)} = 1.1 V	0.7 × V _{CC(Y)}	-	-	V
		I _O = -1.7 mA; V _{CC(A)} = V _{CC(Y)} = 1.4 V	1.03	-	-	V
		I _O = -1.9 mA; V _{CC(A)} = V _{CC(Y)} = 1.65 V	1.30	-	-	V
		I _O = -2.3 mA; V _{CC(A)} = V _{CC(Y)} = 2.3 V	1.97	-	-	V
		I _O = -3.1 mA; V _{CC(A)} = V _{CC(Y)} = 2.3 V	1.85	-	-	V
		I _O = -2.7 mA; V _{CC(A)} = V _{CC(Y)} = 3.0 V	2.67	-	-	V
I _O = -4.0 mA; V _{CC(A)} = V _{CC(Y)} = 3.0 V	2.55	-	-	V		

Table 7. Static characteristics ...continued

At recommended operating conditions; voltages are referenced to GND (ground = 0 V).

Symbol	Parameter	Conditions	Min	Typ	Max	Unit
V _{OL}	LOW-level output voltage	V _I = V _{IL}				
		I _O = 20 μA; V _{CC(A)} = V _{CC(Y)} = 1.1 V to 3.6 V	-	-	0.1	V
		I _O = 1.1 mA; V _{CC(A)} = V _{CC(Y)} = 1.1 V	-	-	0.3 × V _{CC(Y)}	V
		I _O = 1.7 mA; V _{CC(A)} = V _{CC(Y)} = 1.4 V	-	-	0.37	V
		I _O = 1.9 mA; V _{CC(A)} = V _{CC(Y)} = 1.65 V	-	-	0.35	V
		I _O = 2.3 mA; V _{CC(A)} = V _{CC(Y)} = 2.3 V	-	-	0.33	V
		I _O = 3.1 mA; V _{CC(A)} = V _{CC(Y)} = 2.3 V	-	-	0.45	V
		I _O = 2.7 mA; V _{CC(A)} = V _{CC(Y)} = 3.0 V	-	-	0.33	V
		I _O = 4.0 mA; V _{CC(A)} = V _{CC(Y)} = 3.0 V	-	-	0.45	V
I _I	input leakage current	V _I = 0 V to 3.6 V; V _{CC(A)} = V _{CC(Y)} = 1.1 V to 3.6 V	-	-	±0.5	μA
I _{OFF}	power-off leakage current	Input A; V _I = 0 V to 3.6 V; V _{CC(A)} = 0 V; V _{CC(Y)} = 0 V to 3.6 V	-	-	±0.5	μA
		Output Y; V _O = 0 V to 3.6 V; V _{CC(A)} = 0 V to 3.6 V; V _I = 0 V or 3.6 V; V _{CC(Y)} = 0 V	-	-	±0.5	μA
ΔI _{OFF}	additional power-off leakage current	Input A; V _I = 0 V to 3.6 V; V _{CC(A)} = 0 V to 0.2 V; V _{CC(Y)} = 0 V to 3.6 V	-	-	±0.6	μA
		Output Y; V _O = 0 V to 3.6 V; V _{CC(A)} = 0 V to 3.6 V; V _I = 0 V or 3.6 V; V _{CC(Y)} = 0 V to 0.2 V	-	-	±0.6	μA
I _{CC}	supply current	port A; V _I = GND or V _{CC(A)} ; I _O = 0 A				
		V _{CC(A)} = V _{CC(Y)} = 1.1 V to 3.6 V	-	-	0.9	μA
		V _{CC(A)} = 3.6 V; V _{CC(Y)} = 0 V	-	-	0.9	μA
		V _{CC(A)} = 0 V; V _{CC(Y)} = 3.6 V	-	0.0	-	μA
		port Y; V _I = GND or V _{CC(A)} ; I _O = 0 A				
		V _{CC(A)} = V _{CC(Y)} = 1.1 V to 3.6 V	-	-	0.9	μA
		V _{CC(A)} = 3.6 V; V _{CC(Y)} = 0 V	-	0.0	-	μA
		V _{CC(A)} = 0 V; V _{CC(Y)} = 3.6 V	-	-	0.9	μA
		port A and port Y; V _I = GND or V _{CC(A)} ; I _O = 0 A; V _{CC(A)} = V _{CC(Y)} = 1.1 V to 3.6 V	-	-	0.9	μA
ΔI _{CC}	additional supply current	Input A; V _{CC(A)} = 3.3 V; V _{CC(Y)} = 0 V to 3.6 V; V _I = V _{CC(A)} - 0.6 V	-	-	50	μA
T_{amb} = -40 °C to +125 °C						
V _{IH}	HIGH-level input voltage	V _{CC(A)} = 1.1 V to 1.95 V; V _{CC(Y)} = 1.1 V to 3.6 V	0.7 × V _{CC(A)}	-	-	V
		V _{CC(A)} = 2.3 V to 2.7 V; V _{CC(Y)} = 1.1 V to 3.6 V	1.6	-	-	V
		V _{CC(A)} = 3.0 V to 3.6 V; V _{CC(Y)} = 1.1 V to 3.6 V	2.0	-	-	V
V _{IL}	LOW-level input voltage	V _{CC(A)} = 1.1 V to 1.95 V; V _{CC(Y)} = 1.1 V to 3.6 V	-	-	0.3 × V _{CC(A)}	V
		V _{CC(A)} = 2.3 V to 2.7 V; V _{CC(Y)} = 1.1 V to 3.6 V	-	-	0.7	V
		V _{CC(A)} = 3.0 V to 3.6 V; V _{CC(Y)} = 1.1 V to 3.6 V	-	-	0.9	V

Table 7. Static characteristics ...continued

At recommended operating conditions; voltages are referenced to GND (ground = 0 V).

Symbol	Parameter	Conditions	Min	Typ	Max	Unit
V _{OH}	HIGH-level output voltage	V _I = V _{IH}				
		I _O = -20 μA; V _{CC(A)} = V _{CC(Y)} = 1.1 V to 3.6 V	V _{CC(Y)} - 0.11	-	-	V
		I _O = -1.1 mA; V _{CC(A)} = V _{CC(Y)} = 1.1 V	0.6 × V _{CC(Y)}	-	-	V
		I _O = -1.7 mA; V _{CC(A)} = V _{CC(Y)} = 1.4 V	0.93	-	-	V
		I _O = -1.9 mA; V _{CC(A)} = V _{CC(Y)} = 1.65 V	1.17	-	-	V
		I _O = -2.3 mA; V _{CC(A)} = V _{CC(Y)} = 2.3 V	1.77	-	-	V
		I _O = -3.1 mA; V _{CC(A)} = V _{CC(Y)} = 2.3 V	1.67	-	-	V
		I _O = -2.7 mA; V _{CC(A)} = V _{CC(Y)} = 3.0 V	2.40	-	-	V
		I _O = -4.0 mA; V _{CC(A)} = V _{CC(Y)} = 3.0 V	2.30	-	-	V
V _{OL}	LOW-level output voltage	V _I = V _{IL}				
		I _O = 20 μA; V _{CC(A)} = V _{CC(Y)} = 1.1 V to 3.6 V	-	-	0.11	V
		I _O = 1.1 mA; V _{CC(A)} = V _{CC(Y)} = 1.1 V	-	-	0.33 × V _{CC(Y)}	V
		I _O = 1.7 mA; V _{CC(A)} = V _{CC(Y)} = 1.4 V	-	-	0.41	V
		I _O = 1.9 mA; V _{CC(A)} = V _{CC(Y)} = 1.65 V	-	-	0.39	V
		I _O = 2.3 mA; V _{CC(A)} = V _{CC(Y)} = 2.3 V	-	-	0.36	V
		I _O = 3.1 mA; V _{CC(A)} = V _{CC(Y)} = 2.3 V	-	-	0.50	V
		I _O = 2.7 mA; V _{CC(A)} = V _{CC(Y)} = 3.0 V	-	-	0.36	V
		I _O = 4.0 mA; V _{CC(A)} = V _{CC(Y)} = 3.0 V	-	-	0.50	V
I _I	input leakage current	V _I = 0 V to 3.6 V; V _{CC(A)} = V _{CC(Y)} = 1.1 V to 3.6 V	-	-	±0.75	μA
I _{OFF}	power-off leakage current	Input A; V _I = 0 V to 3.6 V; V _{CC(A)} = 0 V; V _{CC(Y)} = 0 V to 3.6 V	-	-	±0.75	μA
		Output Y; V _O = 0 V to 3.6 V; V _{CC(A)} = 0 V to 3.6 V; V _I = 0 V or 3.6 V; V _{CC(Y)} = 0 V	-	-	±0.75	μA
ΔI _{OFF}	additional power-off leakage current	Input A; V _I = 0 V to 3.6 V; V _{CC(A)} = 0 V to 0.2 V; V _{CC(Y)} = 0 V to 3.6 V	-	-	±0.75	μA
		Output Y; V _O = 0 V to 3.6 V; V _{CC(A)} = 0 V to 3.6 V; V _I = 0 V or 3.6 V; V _{CC(Y)} = 0 V to 0.2 V	-	-	±0.75	μA
I _{CC}	supply current	port A; V _I = GND or V _{CC(A)} ; I _O = 0 A				
		V _{CC(A)} = V _{CC(Y)} = 1.1 V to 3.6 V	-	-	1.4	μA
		V _{CC(A)} = 3.6 V; V _{CC(Y)} = 0 V	-	-	1.4	μA
		V _{CC(A)} = 0 V; V _{CC(Y)} = 3.6 V	-	0.0	-	μA
		port Y; V _I = GND or V _{CC(A)} ; I _O = 0 A				
		V _{CC(A)} = V _{CC(Y)} = 1.1 V to 3.6 V	-	-	1.4	μA
		V _{CC(A)} = 3.6 V; V _{CC(Y)} = 0 V	-	0.0	-	μA
		V _{CC(A)} = 0 V; V _{CC(Y)} = 3.6 V	-	-	1.4	μA
port A and port Y; V _I = GND or V _{CC(A)} ; I _O = 0 A; V _{CC(A)} = V _{CC(Y)} = 1.1 V to 3.6 V	-	-	1.4	μA		
ΔI _{CC}	additional supply current	Input A; V _{CC(A)} = 3.3 V; V _{CC(Y)} = 0 V to 3.6 V; V _I = V _{CC(A)} - 0.6 V	-	-	75	μA

11. Dynamic characteristics

Table 8. Dynamic characteristics

Voltages are referenced to GND (ground = 0 V); for test circuit see [Figure 6](#).

Symbol	Parameter	Conditions	25 °C			-40 °C to +125 °C			Unit
			Min	Typ ^[1]	Max	Min	Max (85 °C)	Max (125 °C)	
C_L = 5 pF; V_{CC(A)} = 1.1 V to 1.3 V									
t _{pd}	propagation delay	A to Y; see Figure 5	[2]						
		V _{CC(Y)} = 1.1 V to 1.3 V	2.6	9.8	25.4	2.3	25.9	25.9	ns
		V _{CC(Y)} = 1.4 V to 1.6 V	2.4	7.1	15.3	2.2	16.3	16.7	ns
		V _{CC(Y)} = 1.65 V to 1.95 V	2.1	6.0	12.7	1.9	13.8	14.3	ns
		V _{CC(Y)} = 2.3 V to 2.7 V	2.0	5.1	9.8	2.0	10.5	10.9	ns
V _{CC(Y)} = 3.0 V to 3.6 V	2.1	4.7	8.8	1.9	9.1	9.3	ns		
C_L = 5 pF; V_{CC(A)} = 1.4 V to 1.6 V									
t _{pd}	propagation delay	A to Y; see Figure 5	[2]						
		V _{CC(Y)} = 1.1 V to 1.3 V	2.3	9.1	23.9	2.0	24.5	24.5	ns
		V _{CC(Y)} = 1.4 V to 1.6 V	2.1	6.4	13.6	1.9	14.7	15.2	ns
		V _{CC(Y)} = 1.65 V to 1.95 V	1.8	5.3	10.9	1.6	12.1	12.6	ns
		V _{CC(Y)} = 2.3 V to 2.7 V	1.7	4.3	7.8	1.6	8.7	9.2	ns
V _{CC(Y)} = 3.0 V to 3.6 V	1.8	3.9	6.6	1.6	7.1	7.5	ns		
C_L = 5 pF; V_{CC(A)} = 1.65 V to 1.95 V									
t _{pd}	propagation delay	A to Y; see Figure 5	[2]						
		V _{CC(Y)} = 1.1 V to 1.3 V	2.2	8.8	23.2	1.9	23.9	24.0	ns
		V _{CC(Y)} = 1.4 V to 1.6 V	2.0	6.0	13.0	1.8	14.1	14.6	ns
		V _{CC(Y)} = 1.65 V to 1.95 V	1.8	4.9	10.3	1.5	11.4	12.0	ns
		V _{CC(Y)} = 2.3 V to 2.7 V	1.6	3.9	7.2	1.5	8.0	8.5	ns
V _{CC(Y)} = 3.0 V to 3.6 V	1.7	3.5	5.9	1.5	6.4	6.8	ns		
C_L = 5 pF; V_{CC(A)} = 2.3 V to 2.7 V									
t _{pd}	propagation delay	A to Y; see Figure 5	[2]						
		V _{CC(Y)} = 1.1 V to 1.3 V	2.2	8.4	22.8	1.9	23.4	23.4	ns
		V _{CC(Y)} = 1.4 V to 1.6 V	1.9	5.7	12.3	1.8	13.4	14.0	ns
		V _{CC(Y)} = 1.65 V to 1.95 V	1.7	4.6	9.6	1.5	10.7	11.2	ns
		V _{CC(Y)} = 2.3 V to 2.7 V	1.5	3.5	6.3	1.5	7.2	7.7	ns
V _{CC(Y)} = 3.0 V to 3.6 V	1.6	3.1	5.1	1.4	5.6	6.0	ns		
C_L = 5 pF; V_{CC(A)} = 3.0 V to 3.6 V									
t _{pd}	propagation delay	A to Y; see Figure 5	[2]						
		V _{CC(Y)} = 1.1 V to 1.3 V	2.2	8.1	22.5	1.9	22.9	22.9	ns
		V _{CC(Y)} = 1.4 V to 1.6 V	1.9	5.4	12.0	1.8	12.9	13.4	ns
		V _{CC(Y)} = 1.65 V to 1.95 V	1.7	4.3	9.2	1.5	10.2	10.7	ns
		V _{CC(Y)} = 2.3 V to 2.7 V	1.5	3.3	6.0	1.5	6.7	7.2	ns
V _{CC(Y)} = 3.0 V to 3.6 V	1.6	2.9	4.8	1.4	5.2	5.5	ns		

Table 8. Dynamic characteristics ...continued
 Voltages are referenced to GND (ground = 0 V); for test circuit see [Figure 6](#).

Symbol	Parameter	Conditions	25 °C			-40 °C to +125 °C			Unit
			Min	Typ ^[1]	Max	Min	Max (85 °C)	Max (125 °C)	
C_L = 10 pF; V_{CC(A)} = 1.1 V to 1.3 V									
t _{pd}	propagation delay	A to Y; see Figure 5	[2]						
		V _{CC(Y)} = 1.1 V to 1.3 V	2.6	10.7	27.1	2.5	27.6	27.6	ns
		V _{CC(Y)} = 1.4 V to 1.6 V	2.6	7.7	16.7	2.3	17.5	17.6	ns
		V _{CC(Y)} = 1.65 V to 1.95 V	2.7	6.6	13.4	2.4	14.2	14.7	ns
		V _{CC(Y)} = 2.3 V to 2.7 V	2.2	5.6	10.3	2.2	11.0	11.4	ns
		V _{CC(Y)} = 3.0 V to 3.6 V	2.5	5.3	9.5	2.2	9.7	10.0	ns
C_L = 10 pF; V_{CC(A)} = 1.4 V to 1.6 V									
t _{pd}	propagation delay	A to Y; see Figure 5	[2]						
		V _{CC(Y)} = 1.1 V to 1.3 V	2.4	10.0	25.6	2.2	26.1	26.1	ns
		V _{CC(Y)} = 1.4 V to 1.6 V	2.4	7.0	15.0	2.0	15.8	16.4	ns
		V _{CC(Y)} = 1.65 V to 1.95 V	2.4	5.9	11.6	2.1	12.5	13.1	ns
		V _{CC(Y)} = 2.3 V to 2.7 V	2.0	4.8	8.4	1.9	9.2	9.7	ns
		V _{CC(Y)} = 3.0 V to 3.6 V	2.2	4.4	7.4	1.9	7.7	8.1	ns
C_L = 10 pF; V_{CC(A)} = 1.65 V to 1.95 V									
t _{pd}	propagation delay	A to Y; see Figure 5	[2]						
		V _{CC(Y)} = 1.1 V to 1.3 V	2.3	9.7	24.8	2.1	25.5	25.7	ns
		V _{CC(Y)} = 1.4 V to 1.6 V	2.3	6.6	14.3	2.0	15.3	15.8	ns
		V _{CC(Y)} = 1.65 V to 1.95 V	2.3	5.5	11.0	2.0	11.9	12.5	ns
		V _{CC(Y)} = 2.3 V to 2.7 V	1.9	4.4	7.7	1.8	8.6	9.0	ns
		V _{CC(Y)} = 3.0 V to 3.6 V	2.1	4.0	6.6	1.8	7.1	7.4	ns
C_L = 10 pF; V_{CC(A)} = 2.3 V to 2.7 V									
t _{pd}	propagation delay	A to Y; see Figure 5	[2]						
		V _{CC(Y)} = 1.1 V to 1.3 V	2.3	9.3	24.4	2.1	25.1	25.1	ns
		V _{CC(Y)} = 1.4 V to 1.6 V	2.2	6.3	13.6	1.9	14.6	15.1	ns
		V _{CC(Y)} = 1.65 V to 1.95 V	2.2	5.1	10.3	2.0	11.2	11.7	ns
		V _{CC(Y)} = 2.3 V to 2.7 V	1.8	4.1	6.9	1.8	7.7	8.2	ns
		V _{CC(Y)} = 3.0 V to 3.6 V	2.0	3.6	5.8	1.7	6.3	6.6	ns
C_L = 10 pF; V_{CC(A)} = 3.0 V to 3.6 V									
t _{pd}	propagation delay	A to Y; see Figure 5	[2]						
		V _{CC(Y)} = 1.1 V to 1.3 V	2.3	9.0	24.2	2.1	24.6	24.6	ns
		V _{CC(Y)} = 1.4 V to 1.6 V	2.2	6.0	13.3	1.9	14.1	14.6	ns
		V _{CC(Y)} = 1.65 V to 1.95 V	2.2	4.9	9.9	2.0	10.6	11.2	ns
		V _{CC(Y)} = 2.3 V to 2.7 V	1.8	3.9	6.5	1.8	7.3	7.7	ns
		V _{CC(Y)} = 3.0 V to 3.6 V	2.0	3.5	5.4	1.7	5.8	6.2	ns

Table 8. Dynamic characteristics ...continued
 Voltages are referenced to GND (ground = 0 V); for test circuit see [Figure 6](#).

Symbol	Parameter	Conditions	25 °C			-40 °C to +125 °C			Unit
			Min	Typ ^[1]	Max	Min	Max (85 °C)	Max (125 °C)	
C_L = 15 pF; V_{CC(A)} = 1.1 V to 1.3 V									
t _{pd}	propagation delay	A to Y; see Figure 5	[2]						
		V _{CC(Y)} = 1.1 V to 1.3 V	3.0	11.5	28.6	2.8	29.2	29.2	ns
		V _{CC(Y)} = 1.4 V to 1.6 V	3.1	8.3	17.3	2.7	18.6	19.1	ns
		V _{CC(Y)} = 1.65 V to 1.95 V	2.8	7.1	14.1	2.7	15.2	15.8	ns
		V _{CC(Y)} = 2.3 V to 2.7 V	2.6	6.1	11.1	2.7	11.6	12.1	ns
		V _{CC(Y)} = 3.0 V to 3.6 V	2.9	5.7	9.9	2.6	10.3	10.6	ns
C_L = 15 pF; V_{CC(A)} = 1.4 V to 1.6 V									
t _{pd}	propagation delay	A to Y; see Figure 5	[2]						
		V _{CC(Y)} = 1.1 V to 1.3 V	2.8	10.8	27.1	2.6	27.7	27.7	ns
		V _{CC(Y)} = 1.4 V to 1.6 V	2.8	7.6	15.7	2.4	17.0	17.6	ns
		V _{CC(Y)} = 1.65 V to 1.95 V	2.5	6.3	12.3	2.4	13.5	14.1	ns
		V _{CC(Y)} = 2.3 V to 2.7 V	2.3	5.3	9.2	2.4	9.9	10.3	ns
		V _{CC(Y)} = 3.0 V to 3.6 V	2.6	4.9	7.8	2.3	8.3	8.7	ns
C_L = 15 pF; V_{CC(A)} = 1.65 V to 1.95 V									
t _{pd}	propagation delay	A to Y; see Figure 5	[2]						
		V _{CC(Y)} = 1.1 V to 1.3 V	2.7	10.5	26.4	2.5	27.1	27.3	ns
		V _{CC(Y)} = 1.4 V to 1.6 V	2.7	7.2	15.0	2.3	16.4	17.0	ns
		V _{CC(Y)} = 1.65 V to 1.95 V	2.4	6.0	11.7	2.3	12.8	13.5	ns
		V _{CC(Y)} = 2.3 V to 2.7 V	2.2	4.9	8.5	2.2	9.2	9.7	ns
		V _{CC(Y)} = 3.0 V to 3.6 V	2.5	4.5	7.1	2.2	7.7	8.0	ns
C_L = 15 pF; V_{CC(A)} = 2.3 V to 2.7 V									
t _{pd}	propagation delay	A to Y; see Figure 5	[2]						
		V _{CC(Y)} = 1.1 V to 1.3 V	2.6	10.1	26.0	2.4	26.7	26.7	ns
		V _{CC(Y)} = 1.4 V to 1.6 V	2.7	6.9	14.3	2.3	15.7	16.3	ns
		V _{CC(Y)} = 1.65 V to 1.95 V	2.4	5.6	10.9	2.2	12.1	12.7	ns
		V _{CC(Y)} = 2.3 V to 2.7 V	2.1	4.5	7.6	2.2	8.4	8.9	ns
		V _{CC(Y)} = 3.0 V to 3.6 V	2.4	4.1	6.2	2.1	6.8	7.2	ns
C_L = 15 pF; V_{CC(A)} = 3.0 V to 3.6 V									
t _{pd}	propagation delay	A to Y; see Figure 5	[2]						
		V _{CC(Y)} = 1.1 V to 1.3 V	2.6	9.8	25.7	2.4	26.2	26.2	ns
		V _{CC(Y)} = 1.4 V to 1.6 V	2.7	6.6	14.0	2.3	15.2	15.7	ns
		V _{CC(Y)} = 1.65 V to 1.95 V	2.4	5.4	10.5	2.2	11.6	12.1	ns
		V _{CC(Y)} = 2.3 V to 2.7 V	2.1	4.3	7.3	2.2	7.9	8.4	ns
		V _{CC(Y)} = 3.0 V to 3.6 V	2.4	3.9	5.9	2.1	6.4	6.8	ns

Table 8. Dynamic characteristics ...continued
 Voltages are referenced to GND (ground = 0 V); for test circuit see [Figure 6](#).

Symbol	Parameter	Conditions	25 °C			-40 °C to +125 °C			Unit
			Min	Typ ^[1]	Max	Min	Max (85 °C)	Max (125 °C)	
C_L = 30 pF; V_{CC(A)} = 1.1 V to 1.3 V									
t _{pd}	propagation delay	A to Y; see Figure 5	[2]						
		V _{CC(Y)} = 1.1 V to 1.3 V	3.7	13.7	32.9	3.5	33.5	33.5	ns
		V _{CC(Y)} = 1.4 V to 1.6 V	3.6	9.8	19.5	3.6	20.9	21.4	ns
		V _{CC(Y)} = 1.65 V to 1.95 V	3.7	8.4	15.9	3.5	17.0	17.7	ns
		V _{CC(Y)} = 2.3 V to 2.7 V	3.0	7.2	12.2	3.4	12.7	13.2	ns
		V _{CC(Y)} = 3.0 V to 3.6 V	3.8	6.8	10.9	3.4	12.2	12.5	ns
C_L = 30 pF; V_{CC(A)} = 1.4 V to 1.6 V									
t _{pd}	propagation delay	A to Y; see Figure 5	[2]						
		V _{CC(Y)} = 1.1 V to 1.3 V	3.5	13.1	31.5	3.2	32.0	32.0	ns
		V _{CC(Y)} = 1.4 V to 1.6 V	3.3	9.1	17.8	3.3	19.2	19.9	ns
		V _{CC(Y)} = 1.65 V to 1.95 V	3.4	7.6	14.2	3.2	15.4	16.0	ns
		V _{CC(Y)} = 2.3 V to 2.7 V	2.8	6.4	10.3	3.1	11.0	11.5	ns
		V _{CC(Y)} = 3.0 V to 3.6 V	3.5	5.9	8.9	3.1	10.1	10.5	ns
C_L = 30 pF; V_{CC(A)} = 1.65 V to 1.95 V									
t _{pd}	propagation delay	A to Y; see Figure 5	[2]						
		V _{CC(Y)} = 1.1 V to 1.3 V	3.4	12.7	30.7	3.1	31.5	31.5	ns
		V _{CC(Y)} = 1.4 V to 1.6 V	3.2	8.8	17.2	3.2	18.7	19.3	ns
		V _{CC(Y)} = 1.65 V to 1.95 V	3.3	7.3	13.5	3.1	14.7	15.4	ns
		V _{CC(Y)} = 2.3 V to 2.7 V	2.7	6.0	9.6	3.0	10.4	10.9	ns
		V _{CC(Y)} = 3.0 V to 3.6 V	3.4	5.6	8.2	2.9	9.4	9.8	ns
C_L = 30 pF; V_{CC(A)} = 2.3 V to 2.7 V									
t _{pd}	propagation delay	A to Y; see Figure 5	[2]						
		V _{CC(Y)} = 1.1 V to 1.3 V	3.3	12.4	30.3	3.1	31.0	31.0	ns
		V _{CC(Y)} = 1.4 V to 1.6 V	3.2	8.4	16.5	3.1	18.0	18.7	ns
		V _{CC(Y)} = 1.65 V to 1.95 V	3.2	6.9	12.8	3.0	14.0	14.6	ns
		V _{CC(Y)} = 2.3 V to 2.7 V	2.6	5.6	8.8	2.9	9.6	10.1	ns
		V _{CC(Y)} = 3.0 V to 3.6 V	3.3	5.2	7.3	2.9	8.5	9.0	ns
C_L = 30 pF; V_{CC(A)} = 3.0 V to 3.6 V									
t _{pd}	propagation delay	A to Y; see Figure 5	[2]						
		V _{CC(Y)} = 1.1 V to 1.3 V	3.3	12.0	30.0	3.1	30.5	30.5	ns
		V _{CC(Y)} = 1.4 V to 1.6 V	3.2	8.1	16.2	3.1	17.5	18.1	ns
		V _{CC(Y)} = 1.65 V to 1.95 V	3.2	6.7	12.4	3.0	13.4	14.1	ns
		V _{CC(Y)} = 2.3 V to 2.7 V	2.6	5.5	8.5	2.9	9.1	9.6	ns
		V _{CC(Y)} = 3.0 V to 3.6 V	3.2	5.0	7.0	2.9	8.1	8.5	ns

Table 8. Dynamic characteristics ...continued
 Voltages are referenced to GND (ground = 0 V); for test circuit see [Figure 6](#).

Symbol	Parameter	Conditions	25 °C			−40 °C to +125 °C			Unit
			Min	Typ ^[1]	Max	Min	Max (85 °C)	Max (125 °C)	
C_L = 5 pF, 10 pF, 15 pF and 30 pF									
C _{PD}	power dissipation capacitance	f _i = 1 MHz; V _I = GND to V _{CC(A)} ^{[3][4]}							
		V _{CC(A)} = V _{CC(Y)} = 1.2 V	-	3.8	-	-	-	-	pF
		V _{CC(A)} = V _{CC(Y)} = 1.5 V	-	3.8	-	-	-	-	pF
		V _{CC(A)} = V _{CC(Y)} = 1.8 V	-	4.1	-	-	-	-	pF
		V _{CC(A)} = V _{CC(Y)} = 2.5 V	-	4.2	-	-	-	-	pF
		V _{CC(A)} = V _{CC(Y)} = 3.3 V	-	4.6	-	-	-	-	pF

- [1] All typical values are measured at nominal V_{CC}.
- [2] t_{pd} is the same as t_{PLH} and t_{PHL}.
- [3] All specified values are the average typical values over all stated loads.
- [4] C_{PD} is used to determine the dynamic power dissipation (P_D in μW).
 $P_D = C_{PD} \times V_{CC}^2 \times f_i \times N + \Sigma(C_L \times V_{CC}^2 \times f_o)$ where:
 f_i = input frequency in MHz;
 f_o = output frequency in MHz;
 C_L = output load capacitance in pF;
 V_{CC} = supply voltage in V;
 N = number of inputs switching;
 Σ(C_L × V_{CC}² × f_o) = sum of the outputs.

12. Waveforms

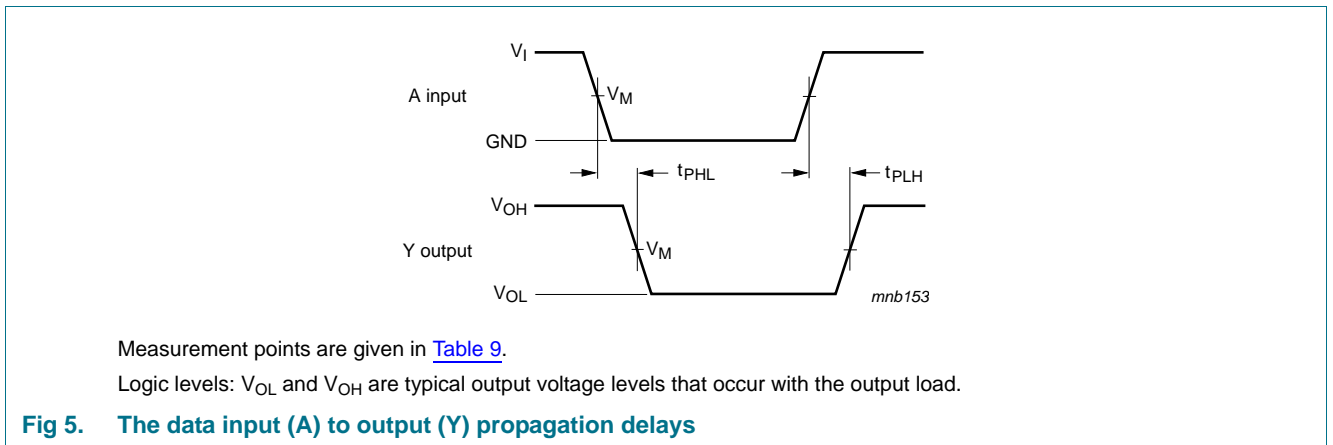
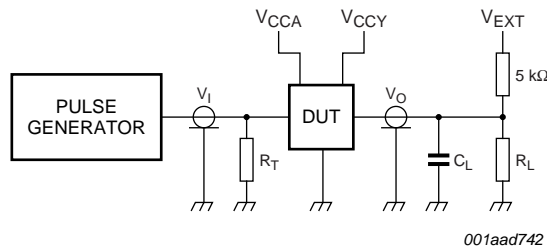


Table 9. Measurement points

Supply voltage	Output	Input		t _r = t _f
V _{CC(A)} /V _{CC(Y)}	V _M	V _M	V _I	
1.1 V to 3.6 V	0.5 × V _{CC(Y)}	0.5 × V _{CC(A)}	V _{CC(A)}	≤ 3.0 ns



Test data is given in [Table 10](#).

Definitions for test circuit:

R_L = Load resistance.

C_L = Load capacitance including jig and probe capacitance.

R_T = Termination resistance should be equal to the output impedance Z_o of the pulse generator.

V_{EXT} = External voltage for measuring switching times.

Fig 6. Test circuit for measuring switching times

Table 10. Test data

Supply voltage	Load		V_{EXT}
$V_{CC(A)}/V_{CC(Y)}$	C_L	R_L [1]	t_{PLH} , t_{PHL}
1.1 V to 3.6 V	5 pF, 10 pF, 15 pF and 30 pF	5 kΩ or 1 MΩ	open

[1] For measuring enable and disable times, $R_L = 5\text{ k}\Omega$. For measuring propagation delays, setup and hold times and pulse width, $R_L = 1\text{ M}\Omega$.

13. Package outline

TSSOP5: plastic thin shrink small outline package; 5 leads; body width 1.25 mm

SOT353-1

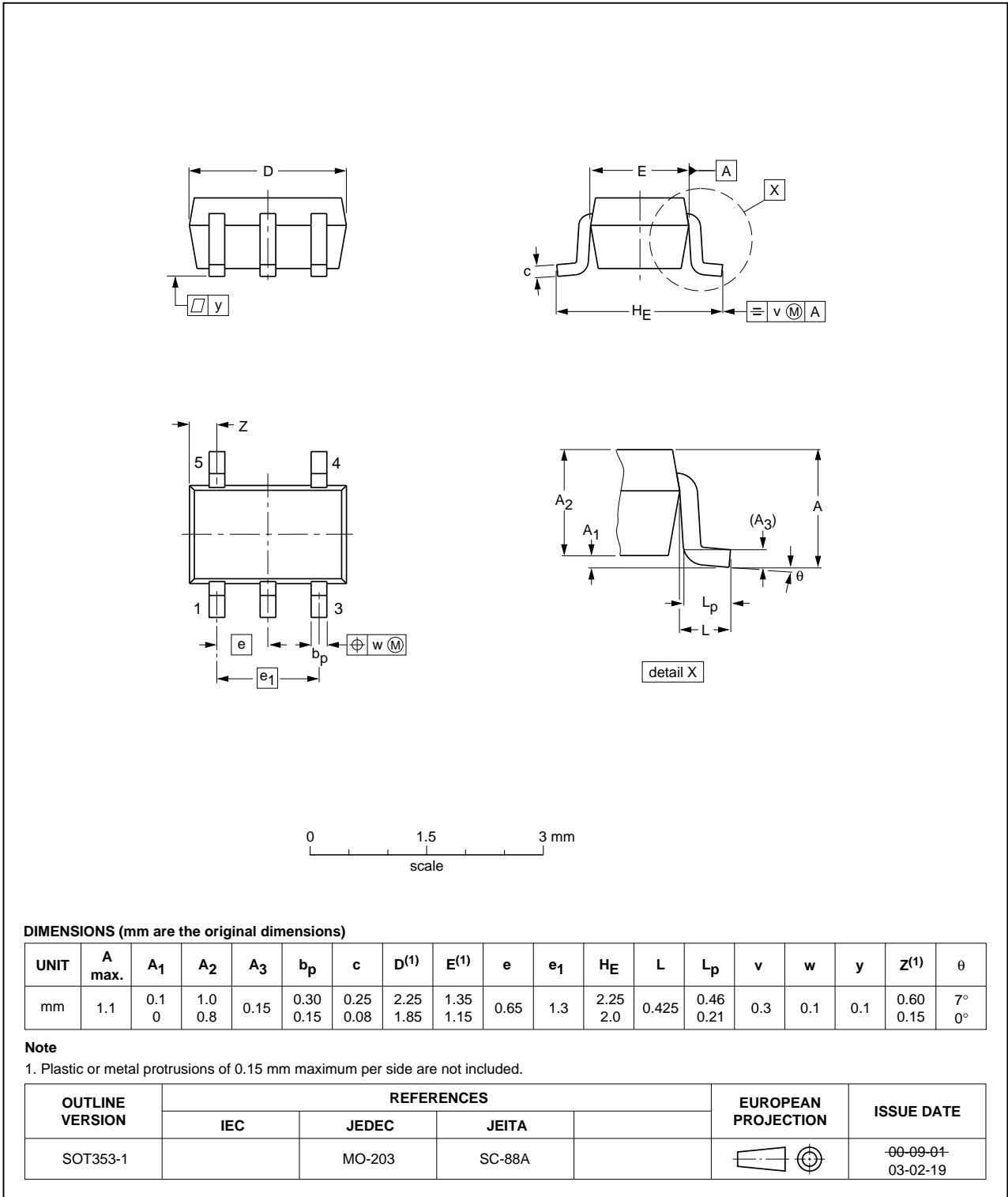


Fig 7. Package outline SOT353-1 (TSSOP5)

14. Abbreviations

Table 11. Abbreviations

Acronym	Description
CDM	Charged Device Model
DUT	Device Under Test
ESD	ElectroStatic Discharge
HBM	Human Body Model
MIL	Military
MM	Machine Model

15. Revision history

Table 12. Revision history

Document ID	Release date	Data sheet status	Change notice	Supersedes
74AUP1T34_Q100 v.1	20130605	Product data sheet	-	-

16. Legal information

16.1 Data sheet status

Document status ^{[1][2]}	Product status ^[3]	Definition
Objective [short] data sheet	Development	This document contains data from the objective specification for product development.
Preliminary [short] data sheet	Qualification	This document contains data from the preliminary specification.
Product [short] data sheet	Production	This document contains the product specification.

[1] Please consult the most recently issued document before initiating or completing a design.

[2] The term 'short data sheet' is explained in section "Definitions".

[3] The product status of device(s) described in this document may have changed since this document was published and may differ in case of multiple devices. The latest product status information is available on the Internet at URL <http://www.nxp.com>.

16.2 Definitions

Draft — The document is a draft version only. The content is still under internal review and subject to formal approval, which may result in modifications or additions. NXP Semiconductors does not give any representations or warranties as to the accuracy or completeness of information included herein and shall have no liability for the consequences of use of such information.

Short data sheet — A short data sheet is an extract from a full data sheet with the same product type number(s) and title. A short data sheet is intended for quick reference only and should not be relied upon to contain detailed and full information. For detailed and full information see the relevant full data sheet, which is available on request via the local NXP Semiconductors sales office. In case of any inconsistency or conflict with the short data sheet, the full data sheet shall prevail.

Product specification — The information and data provided in a Product data sheet shall define the specification of the product as agreed between NXP Semiconductors and its customer, unless NXP Semiconductors and customer have explicitly agreed otherwise in writing. In no event however, shall an agreement be valid in which the NXP Semiconductors product is deemed to offer functions and qualities beyond those described in the Product data sheet.

16.3 Disclaimers

Limited warranty and liability — Information in this document is believed to be accurate and reliable. However, NXP Semiconductors does not give any representations or warranties, expressed or implied, as to the accuracy or completeness of such information and shall have no liability for the consequences of use of such information. NXP Semiconductors takes no responsibility for the content in this document if provided by an information source outside of NXP Semiconductors.

In no event shall NXP Semiconductors be liable for any indirect, incidental, punitive, special or consequential damages (including - without limitation - lost profits, lost savings, business interruption, costs related to the removal or replacement of any products or rework charges) whether or not such damages are based on tort (including negligence), warranty, breach of contract or any other legal theory.

Notwithstanding any damages that customer might incur for any reason whatsoever, NXP Semiconductors' aggregate and cumulative liability towards customer for the products described herein shall be limited in accordance with the *Terms and conditions of commercial sale* of NXP Semiconductors.

Right to make changes — NXP Semiconductors reserves the right to make changes to information published in this document, including without limitation specifications and product descriptions, at any time and without notice. This document supersedes and replaces all information supplied prior to the publication hereof.

Suitability for use in automotive applications — This NXP Semiconductors product has been qualified for use in automotive applications. Unless otherwise agreed in writing, the product is not designed, authorized or warranted to be suitable for use in life support, life-critical or safety-critical systems or equipment, nor in applications where failure or malfunction of an NXP Semiconductors product can reasonably be expected to result in personal injury, death or severe property or environmental damage. NXP Semiconductors and its suppliers accept no liability for inclusion and/or use of NXP Semiconductors products in such equipment or applications and therefore such inclusion and/or use is at the customer's own risk.

Applications — Applications that are described herein for any of these products are for illustrative purposes only. NXP Semiconductors makes no representation or warranty that such applications will be suitable for the specified use without further testing or modification.

Customers are responsible for the design and operation of their applications and products using NXP Semiconductors products, and NXP Semiconductors accepts no liability for any assistance with applications or customer product design. It is customer's sole responsibility to determine whether the NXP Semiconductors product is suitable and fit for the customer's applications and products planned, as well as for the planned application and use of customer's third party customer(s). Customers should provide appropriate design and operating safeguards to minimize the risks associated with their applications and products.

NXP Semiconductors does not accept any liability related to any default, damage, costs or problem which is based on any weakness or default in the customer's applications or products, or the application or use by customer's third party customer(s). Customer is responsible for doing all necessary testing for the customer's applications and products using NXP Semiconductors products in order to avoid a default of the applications and the products or of the application or use by customer's third party customer(s). NXP does not accept any liability in this respect.

Limiting values — Stress above one or more limiting values (as defined in the Absolute Maximum Ratings System of IEC 60134) will cause permanent damage to the device. Limiting values are stress ratings only and (proper) operation of the device at these or any other conditions above those given in the Recommended operating conditions section (if present) or the Characteristics sections of this document is not warranted. Constant or repeated exposure to limiting values will permanently and irreversibly affect the quality and reliability of the device.

Terms and conditions of commercial sale — NXP Semiconductors products are sold subject to the general terms and conditions of commercial sale, as published at <http://www.nxp.com/profile/terms>, unless otherwise agreed in a valid written individual agreement. In case an individual agreement is concluded only the terms and conditions of the respective agreement shall apply. NXP Semiconductors hereby expressly objects to applying the customer's general terms and conditions with regard to the purchase of NXP Semiconductors products by customer.

No offer to sell or license — Nothing in this document may be interpreted or construed as an offer to sell products that is open for acceptance or the grant, conveyance or implication of any license under any copyrights, patents or other industrial or intellectual property rights.

Export control — This document as well as the item(s) described herein may be subject to export control regulations. Export might require a prior authorization from competent authorities.

Translations — A non-English (translated) version of a document is for reference only. The English version shall prevail in case of any discrepancy between the translated and English versions.

16.4 Trademarks

Notice: All referenced brands, product names, service names and trademarks are the property of their respective owners.

17. Contact information

For more information, please visit: <http://www.nxp.com>

For sales office addresses, please send an email to: salesaddresses@nxp.com

18. Contents

1	General description	1
2	Features and benefits	1
3	Ordering information	2
4	Marking	2
5	Functional diagram	2
6	Pinning information	2
6.1	Pinning	2
6.2	Pin description	3
7	Functional description	3
8	Limiting values	3
9	Recommended operating conditions	4
10	Static characteristics	4
11	Dynamic characteristics	8
12	Waveforms	12
13	Package outline	14
14	Abbreviations	15
15	Revision history	15
16	Legal information	16
16.1	Data sheet status	16
16.2	Definitions	16
16.3	Disclaimers	16
16.4	Trademarks	17
17	Contact information	17
18	Contents	18

Please be aware that important notices concerning this document and the product(s) described herein, have been included in section 'Legal information'.

© NXP B.V. 2013.

All rights reserved.

For more information, please visit: <http://www.nxp.com>

For sales office addresses, please send an email to: salesaddresses@nxp.com

Date of release: 5 June 2013

Document identifier: 74AUP1T34_Q100