



PCA8565A

Real-time clock/calendar

Rev. 02 — 4 December 2009

Product data sheet

1. General description

The PCA8565A is a CMOS¹ Real-Time Clock (RTC) and calendar optimized for low power consumption. A programmable clock output, interrupt output, and voltage-low detector are also provided. All addresses and data are transferred serially via a two-line bidirectional I²C-bus. Maximum bus speed is 400 kbit/s. The built-in word address register is incremented automatically after each written or read data byte.

AEC-Q100 compliant for automotive applications.

2. Features

- Provides year, month, day, weekday, hours, minutes, and seconds based on 32.768 kHz quartz crystal
- Clock operating voltage: 1.8 V to 5.5 V
- Extended operating temperature range: -40 °C to +125 °C
- Low backup current: typical 0.65 µA at V_{DD} = 3.0 V and T_{amb} = 25 °C
- 400 kHz two-line I²C-bus interface (at V_{DD} = 1.8 V to 5.5 V)
- Programmable clock output for peripheral devices (32.768 kHz, 1.024 kHz, 32 Hz, and 1 Hz)
- Alarm and timer functions
- Two integrated oscillator capacitors
- Internal Power-On Reset (POR)
- I²C-bus slave address: read A3h; write A2h
- Open-drain interrupt pin
- Century flag

3. Applications

- Automotive
- Industrial
- Applications that require a wide operating temperature range

1. The definition of the abbreviations and acronyms used in this data sheet can be found in [Section 18](#).

4. Ordering information

Table 1. Ordering information

Type number	Package			
	Name	Description	Delivery form	Version
Die type 1 ^[1]				
PCA8565AU/5BA/1	PCA8565AU	wire bond die; 9 bonding pads	unsawn wafer; thickness 280 µm	PCA8565AU
Die type 2				
PCA8565AU/5BB/1	PCA8565AU	wire bond die; 9 bonding pads	unsawn wafer; thickness 280 µm	PCA8565AU

[1] Not to be used for new designs.

5. Marking

Table 2. Marking codes

Type number	Marking code
PCA8565AU/5BA/1	PC8565A-1
PCA8565AU/5BB/1	PC8565A-1

6. Block diagram

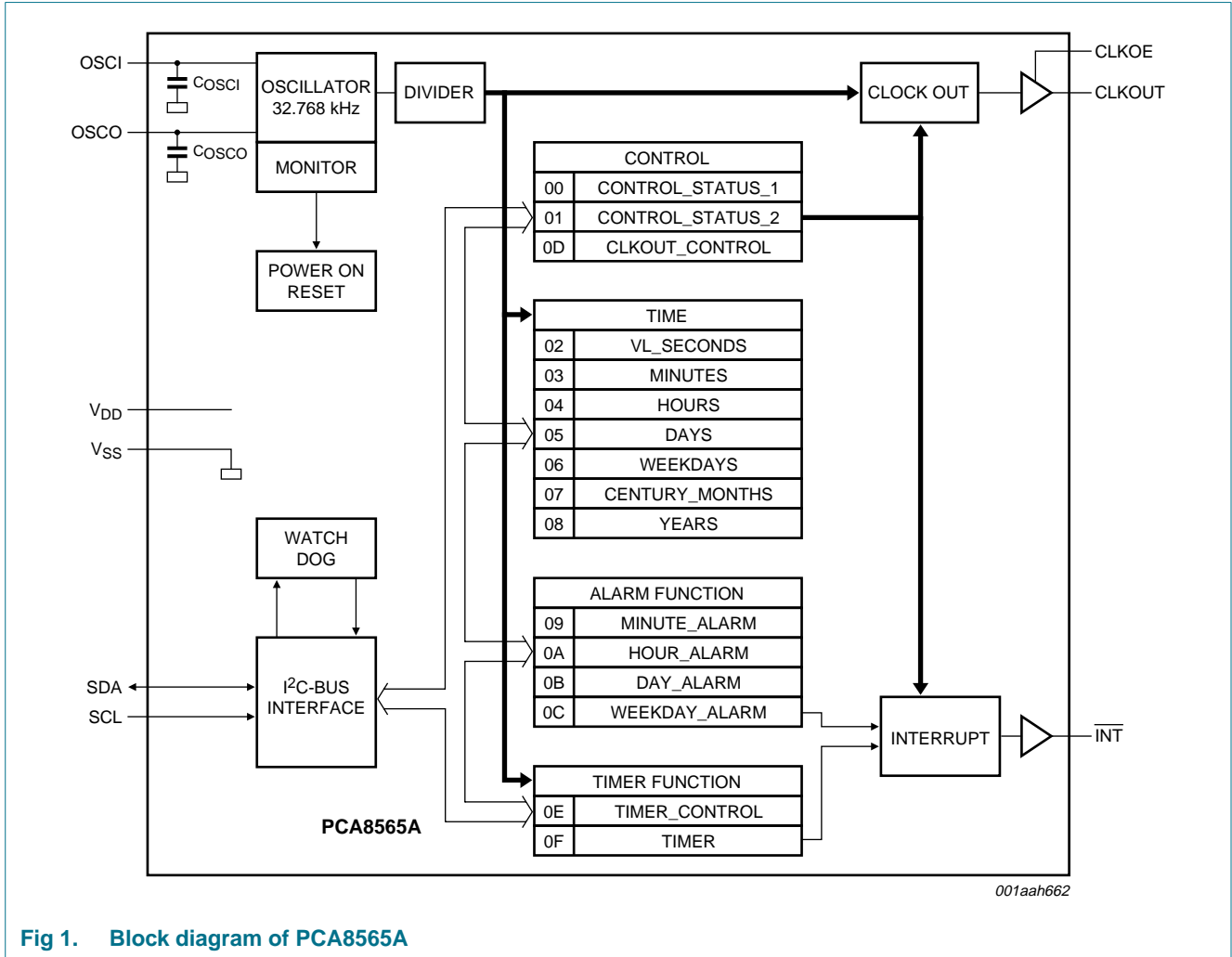
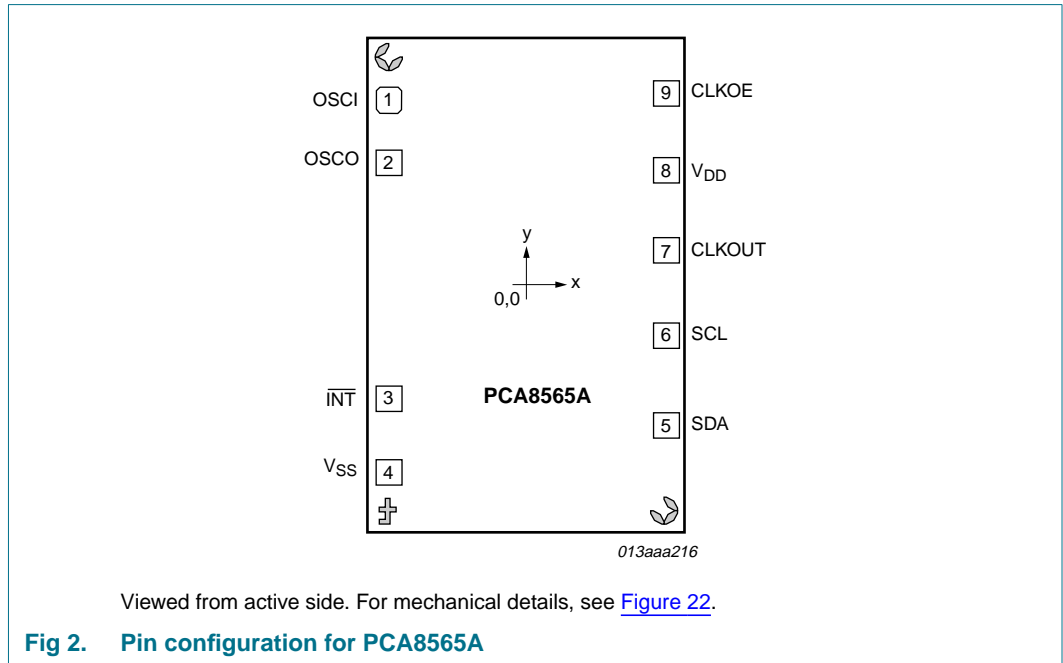


Fig 1. Block diagram of PCA8565A

7. Pinning information

7.1 Pinning



7.2 Pin description

Table 3. Pin description

Symbol	Pin	Description
OSCI	1	oscillator input
OSCO	2	oscillator output
$\overline{\text{INT}}$	3	interrupt output (open-drain; active LOW)
V_{SS}	4	ground supply voltage ^[1]
SDA	5	serial data input and output
SCL	6	serial clock input
CLKOUT	7	clock output (open-drain)
V_{DD}	8	supply voltage
CLKOE	9	CLKOUT output enable input

[1] The substrate (rear side of the die) is wired to V_{SS} but should not be electrically contacted.

8. Functional description

The PCA8565A contains 16 8-bit registers with an auto-incrementing address register, an on-chip 32.768 kHz oscillator with two integrated capacitors, a frequency divider which provides the source clock for the RTC, a programmable clock output, a timer, an alarm, a voltage low detector, and a 400 kHz I²C-bus interface.

All 16 registers (see [Table 4](#)) are designed as addressable 8-bit parallel registers although not all bits are implemented. The first two registers (memory address 00h and 01h) are used as control and/or status registers. The memory addresses 02h through 08h are used as counters for the clock function (seconds up to years counters). Address locations 09h through 0Ch contain alarm registers which define the conditions for an alarm. Address 0Dh controls the CLKOUT output frequency. 0Eh and 0Fh are the timer control and timer registers, respectively.

The seconds, minutes, hours, days, weekdays, months, years, as well as the minute alarm, hour alarm, day alarm, and weekday alarm registers are all in Binary Coded Decimal (BCD) format.

When one of the RTC registers is read, the contents of all time counters are frozen. Therefore, faulty reading of the clock and calendar during a carry condition is prevented.

8.1 CLKOUT output

A programmable square wave is available at the CLKOUT pin. Frequencies of 32.768 kHz, 1.024 kHz, 32 Hz and 1 Hz can be generated for use as a system clock, microcontroller clock, input to a charge pump, or for calibration of the oscillator. CLKOUT is an open-drain output, and if disabled it becomes high-impedance.

8.2 Register organization

Table 4. Register overview

Bit positions labelled as - are not implemented. Bit positions labelled as N should always be written with logic 0. After reset, all registers are set according to [Table 29](#).

Address	Register name	Bit							
		7	6	5	4	3	2	1	0
Control registers									
00h	Control_status_1	TEST1	N	STOP	N	TESTC	N	N	N
01h	Control_status_2	N	N	N	TI_TP	AF	TF	AIE	TIE
Time and date registers									
02h	VL_seconds	VL	SECONDS (0 to 59)						
03h	Minutes	-	MINUTES (0 to 59)						
04h	Hours	-	-	HOURS (0 to 23)					
05h	Days	-	-	DAYS (1 to 31)					
06h	Weekdays	-	-	-	-	-	WEEKDAYS (0 to 6)		
07h	Century_months	C	-	-	MONTH (1 to 12)				
08h	Years	YEARS (0 to 99)							
Alarm registers									
09h	Minute_alarm	AE_M	MINUTE_ALARM (0 to 59)						
0Ah	Hour_alarm	AE_H	-	HOUR_ALARM (0 to 23)					
0Bh	Day_alarm	AE_D	-	DAY_ALARM (1 to 31)					
0Ch	Weekday_alarm	AE_W	-	-	-	-	WEEKDAY_ALARM (0 to 6)		
CLKOUT control register									
0Dh	CLKOUT_control	-	-	-	-	-	-	FD	
Timer registers									
0Eh	Timer_control	TE	-	-	-	-	-	TD	
0Fh	Timer	TIMER							

8.3 Control registers

8.3.1 Register Control_status_1

Table 5. Control_status_1 - control and status register 1 (address 00h) bit description

Bit	Symbol	Value	Description	Reference
7	TEST1	0 ^[1]	normal mode; must be set logic 0 during normal operations	Section 8.9
		1	EXT_CLK test mode	
6	N	0 ^[2]	default value	
5	STOP	0 ^[1]	RTC clock runs	Section 8.10
		1	RTC clock is stopped; all RTC divider chain flip-flops are asynchronously set logic 0; the RTC clock is stopped (CLKOUT at 32.768 kHz is still available); I ² C-bus watchdog doesn't work	
4	N	0 ^[2]	default value	
3	TESTC	0	Power-On Reset (POR) override facility is disabled; set logic 0 for normal operation	Section 8.11.1
		1 ^[1]	Power-On Reset (POR) override is enabled	
2 to 0	N	000 ^[2]	default value	

[1] Default value.

[2] Bits labeled as N should always be written with logic 0.

8.3.2 Register Control_status_2

Table 6. Control_status_2 - control and status register 2 (address 01h) bit description

Bit	Symbol	Value	Description	Reference
7 to 5	N	000 ^[1]	default value	
4	TI_TP	0 ^[2]	$\overline{\text{INT}}$ active when TF or AF is active (subject to the status of TIE and AIE)	Section 8.3.2.1 and Section 8.8
		1	$\overline{\text{INT}}$ pulses active according to Table 9 (subject to the status of TIE); Remark: if AF and AIE are active then $\overline{\text{INT}}$ will be permanently active	
3	AF	0 ^[2]	read: alarm flag inactive write: alarm flag is cleared	Section 8.3.2.1
		1	read: alarm flag active write: alarm flag remains unchanged	
2	TF	0 ^[2]	read: timer flag inactive write: timer flag is cleared	Section 8.3.2.1
		1	read: timer flag active write: timer flag remains unchanged	
1	AIE	0 ^[2]	alarm interrupt disabled	Section 8.3.2.1
		1	alarm interrupt enabled	
0	TIE	0 ^[2]	timer interrupt disabled	Section 8.3.2.1
		1	timer interrupt enabled	

[1] Bits labeled as N should always be written with logic 0.

[2] Default value.

8.3.2.1 Interrupt output

Bits TF and AF: When an alarm occurs, AF is set logic 1. Similarly, at the end of a timer countdown, TF is set logic 1. These bits maintain their value until overwritten using the interface. If both timer and alarm interrupts are required in the application, the source of the interrupt can be determined by reading these bits.

To prevent one flag being overwritten while clearing another, logic AND is performed during a write access. A flag is cleared by writing logic 0 whilst a flag is not cleared by writing logic 1. Writing logic 1 will result in the flag value remaining unchanged.

The following two tables are showing an example for clearing bit AF, but leaving bit TF unaffected. The flag is cleared by a write command, therefore bits 7 to 4 and 1 to 0 must be written with their previous values. Repeatedly re-writing these bits has no influence on the functional behavior.

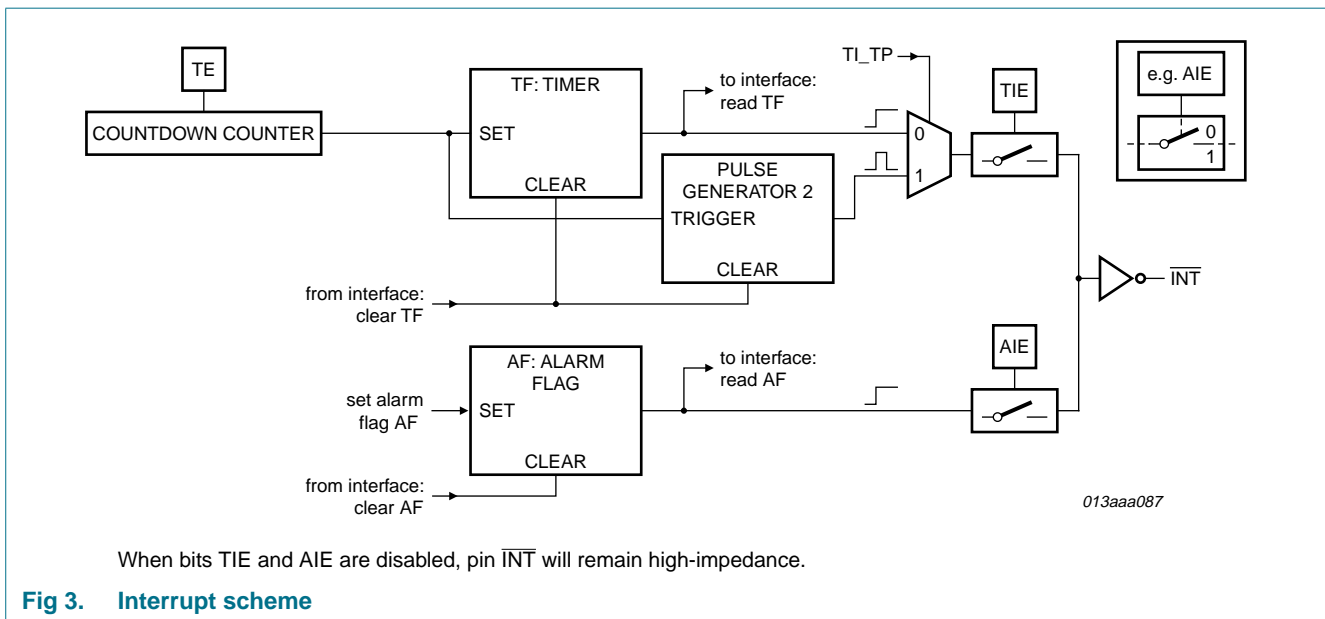
Table 7. AF and TF flag location in register Control_status_2

Register	Bit							
	7	6	5	4	3	2	1	0
Control_status_2	-	-	-	-	AF	TF	-	-

Table 8 shows what instruction must be sent to clear bit AF. In this example, bit TF is unaffected.

Table 8. Example to clear only AF (bit 3) in register Control_status_2

Register	Bit							
	7	6	5	4	3	2	1	0
Control_status_2	-	-	-	-	0	1	-	-



When bits TIE and AIE are disabled, pin \overline{INT} will remain high-impedance.

Fig 3. Interrupt scheme

Bits TIE and AIE: These bits activate or deactivate the generation of an interrupt when TF or AF is asserted, respectively. The interrupt is the logical OR of these two conditions when both AIE and TIE are set.

Countdown timer interrupts: The pulse generator for the countdown timer interrupt uses an internal clock and is dependent on the selected source clock for the countdown timer and on the countdown value n . As a consequence, the width of the interrupt pulse varies (see [Table 9](#)).

Table 9. $\overline{\text{INT}}$ operation (bit $\text{TI_TP} = 1$)^[1]

Source clock (Hz)	$\overline{\text{INT}}$ period (s)	
	$n = 1$ ^[2]	$n > 1$ ^[2]
4096	$\frac{1}{8192}$	$\frac{1}{4096}$
64	$\frac{1}{128}$	$\frac{1}{64}$
1	$\frac{1}{64}$	$\frac{1}{64}$
$\frac{1}{60}$	$\frac{1}{64}$	$\frac{1}{64}$

[1] TF and $\overline{\text{INT}}$ become active simultaneously.

[2] n = loaded countdown value. Timer stops when $n = 0$.

8.4 Time and date registers

The majority of the registers are coded in the BCD format to simplify application use.

8.4.1 Register VL_seconds

Table 10. VL_seconds - seconds and clock integrity status register (address 02h) bit description

Bit	Symbol	Value	Place value	Description
7	VL	0	-	clock integrity is guaranteed
		1 ^[1]	-	integrity of the clock information is not guaranteed
6 to 4	SECONDS	0 to 5	ten's place	actual seconds coded in BCD format, see Table 11
3 to 0		0 to 9	unit place	

[1] Start-up value.

Table 11. Seconds coded in BCD format

Seconds value in decimal	Upper-digit (ten's place)			Digit (unit place)			
	Bit 6	Bit 5	Bit 4	Bit 3	Bit 2	Bit 1	Bit 0
00	0	0	0	0	0	0	0
01	0	0	0	0	0	0	1
02	0	0	0	0	0	1	0
:	:	:	:	:	:	:	:
09	0	0	0	1	0	0	1
10	0	0	1	0	0	0	0
:	:	:	:	:	:	:	:
58	1	0	1	1	0	0	0
59	1	0	1	1	0	0	1

8.4.1.1 Voltage-low detector and clock monitor

The PCA8565A has an on-chip voltage-low detector (see [Figure 4](#)). When V_{DD} drops below V_{low} , bit VL in the VL_seconds register is set to indicate that the integrity of the clock information is no longer guaranteed. The VL flag can only be cleared by using the interface.

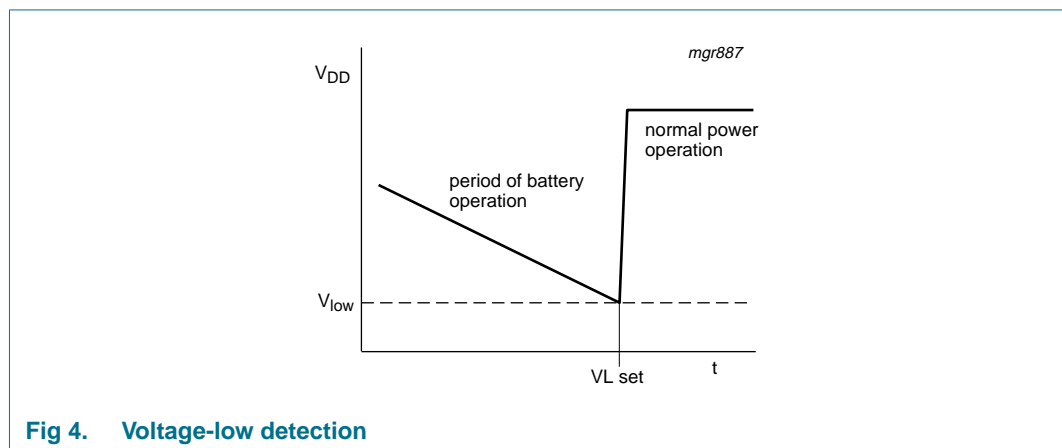


Fig 4. Voltage-low detection

The VL flag is intended to detect the situation when V_{DD} is decreasing slowly, for example under battery operation. Should the oscillator stop or V_{DD} reach V_{low} before power is re-asserted, then the VL flag is set. This will indicate that the time may be corrupted.

8.4.2 Register Minutes

Table 12. Minutes - minutes register (address 03h) bit description

Bit	Symbol	Value	Place value	Description
7	-	-	-	unused
6 to 4	MINUTES	0 to 5	ten's place	actual minutes coded in BCD format
3 to 0		0 to 9	unit place	

8.4.3 Register Hours

Table 13. Hours - hours register (address 04h) bit description

Bit	Symbol	Value	Place value	Description
7 to 6	-	-	-	unused
5 to 4	HOURS	0 to 2	ten's place	actual hours coded in BCD format
3 to 0		0 to 9	unit place	

8.4.4 Register Days

Table 14. Days - days register (address 05h) bit description

Bit	Symbol	Value	Place value	Description
7 to 6	-	-	-	unused
5 to 4	DAYS ^[1]	0 to 3	ten's place	actual day coded in BCD format
3 to 0		0 to 9	unit place	

[1] The PCA8565A compensates for leap years by adding a 29th day to February if the year counter contains a value which is exactly divisible by 4, including the year 00.

8.4.5 Register Weekdays

Table 15. Weekdays - weekdays register (address 06h) bit description

Bit	Symbol	Value	Description
7 to 3	-	-	unused
2 to 0	WEEKDAYS	0 to 6	actual weekday values, see Table 16 .

Table 16. Weekday assignments

Day ^[1]	Bit		
	2	1	0
Sunday	0	0	0
Monday	0	0	1
Tuesday	0	1	0
Wednesday	0	1	1
Thursday	1	0	0
Friday	1	0	1
Saturday	1	1	0

[1] Definition may be re-assigned by the user.

8.4.6 Register Century_months

Table 17. Century_months - century flag and months register (address 07h) bit description

Bit	Symbol	Value	Place value	Description
7	C ^[1]	0 ^[2]	-	indicates the century is x
		1	-	indicates the century is x + 1
6 to 5	-	-	-	unused
4	MONTHS	0 to 1	ten's place	actual month coded in BCD format, see Table 18
3 to 0		0 to 9	unit place	

[1] This bit may be re-assigned by the user.

[2] This bit is toggled when the register Years overflows from 99 to 00.

Table 18. Month assignments in BCD format

Month	Upper-digit (ten's place)	Digit (unit place)			
	Bit 4	Bit 3	Bit 2	Bit 1	Bit 0
January	0	0	0	0	1
February	0	0	0	1	0
March	0	0	0	1	1
April	0	0	1	0	0
May	0	0	1	0	1
June	0	0	1	1	0
July	0	0	1	1	1
August	0	1	0	0	0
September	0	1	0	0	1
October	1	0	0	0	0
November	1	0	0	0	1
December	1	0	0	1	0

8.4.7 Register Years

Table 19. Years - years register (08h) bit description

Bit	Symbol	Value	Place value	Description
7 to 4	YEARS	0 to 9	ten's place	actual year coded in BCD format
3 to 0		0 to 9	unit place	

8.5 Setting and reading the time

Figure 5 shows the data flow and data dependencies starting from the 1 Hz clock tick.

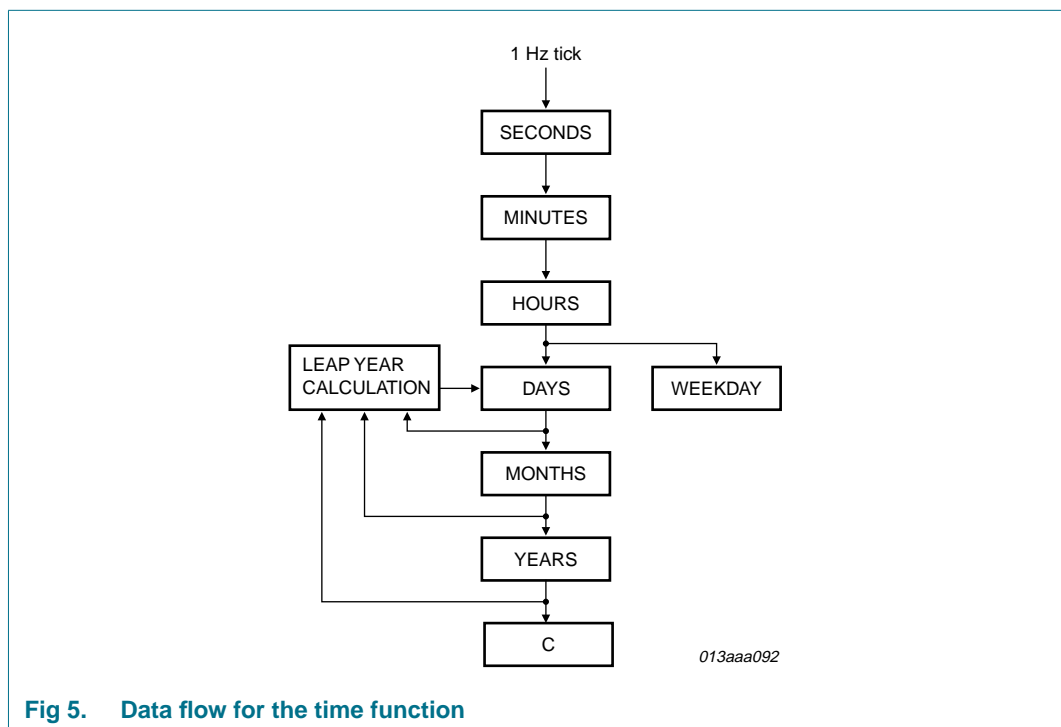


Fig 5. Data flow for the time function

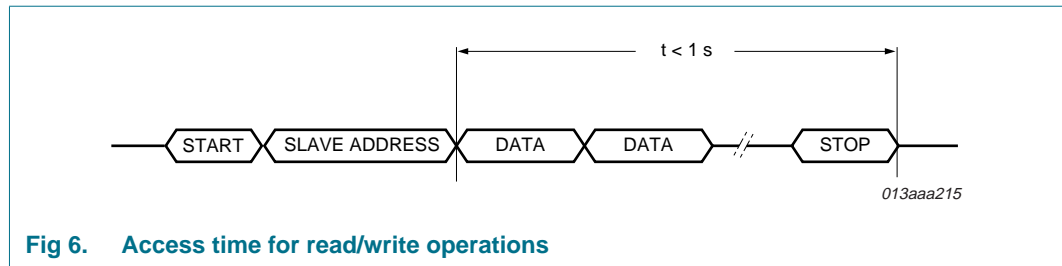
During read/write operations, the time counting circuits (memory locations 02h through 08h) are blocked.

This prevents

- Faulty reading of the clock and calendar during a carry condition
- Incrementing the time registers, during the read cycle

After this read/write access is completed, the time circuit is released again and any pending request to increment the time counters that occurred during the read access is serviced. A maximum of 1 request can be stored; therefore, all accesses must be completed within 1 second (see Figure 6).

As a consequence of this method, it is very important to make a read or write access in one go, that is, setting or reading seconds through to years should be made in one single access. Failing to comply with this method could result in the time becoming corrupted.



As an example, if the time (seconds through to hours) is set in one access and then in a second access the date is set, it is possible that the time may increment between the two accesses. A similar problem exists when reading. A roll over may occur between reads thus giving the minutes from one moment and the hours from the next.

Recommended method for reading the time:

1. Send a START condition and the slave address for write (A2h).
2. Set the address pointer to 2 (VL_seconds) by sending 02h.
3. Send a RESTART condition or STOP followed by START.
4. Send the slave address for read (A3h).
5. Read VL_seconds.
6. Read Minutes.
7. Read Hours.
8. Read Days.
9. Read Weekdays.
10. Read Century_months.
11. Read Years.
12. Send a STOP condition.

8.6 Alarm registers

8.6.1 Register Minute_alarm

Table 20. Minute_alarm - minute alarm register (address 09h) bit description

Bit	Symbol	Value	Place value	Description
7	AE_M	0	-	minute alarm is enabled
		1 ^[1]	-	minute alarm is disabled
6 to 4	MINUTE_ALARM	0 to 5	ten's place	minute alarm information coded in BCD format
3 to 0		0 to 9	unit place	

[1] Default value.

8.6.2 Register Hour_alarm

Table 21. Hour_alarm - hour alarm register (address 0Ah) bit description

Bit	Symbol	Value	Place value	Description
7	AE_H	0	-	hour alarm is enabled
		1 ^[1]	-	hour alarm is disabled
6	-	-	-	unused
5 to 4	HOUR_ALARM	0 to 2	ten's place	hour alarm information coded in BCD format
3 to 0		0 to 9	unit place	

[1] Default value.

8.6.3 Register Day_alarm

Table 22. Day_alarm - day alarm register (address 0Bh) bit description

Bit	Symbol	Value	Place value	Description
7	AE_D	0	-	day alarm is enabled
		1 ^[1]	-	day alarm is disabled
6	-	-	-	unused
5 to 4	DAY_ALARM	0 to 3	ten's place	day alarm information coded in BCD format
3 to 0		0 to 9	unit place	

[1] Default value.

8.6.4 Register Weekday_alarm

Table 23. Weekday_alarm - weekday alarm register (address 0Ch) bit description

Bit	Symbol	Value	Description
7	AE_W	0	weekday alarm is enabled
		1 ^[1]	weekday alarm is disabled
6 to 3	-	-	unused
2 to 0	WEEKDAY_ALARM	0 to 6	weekday alarm information coded in BCD format

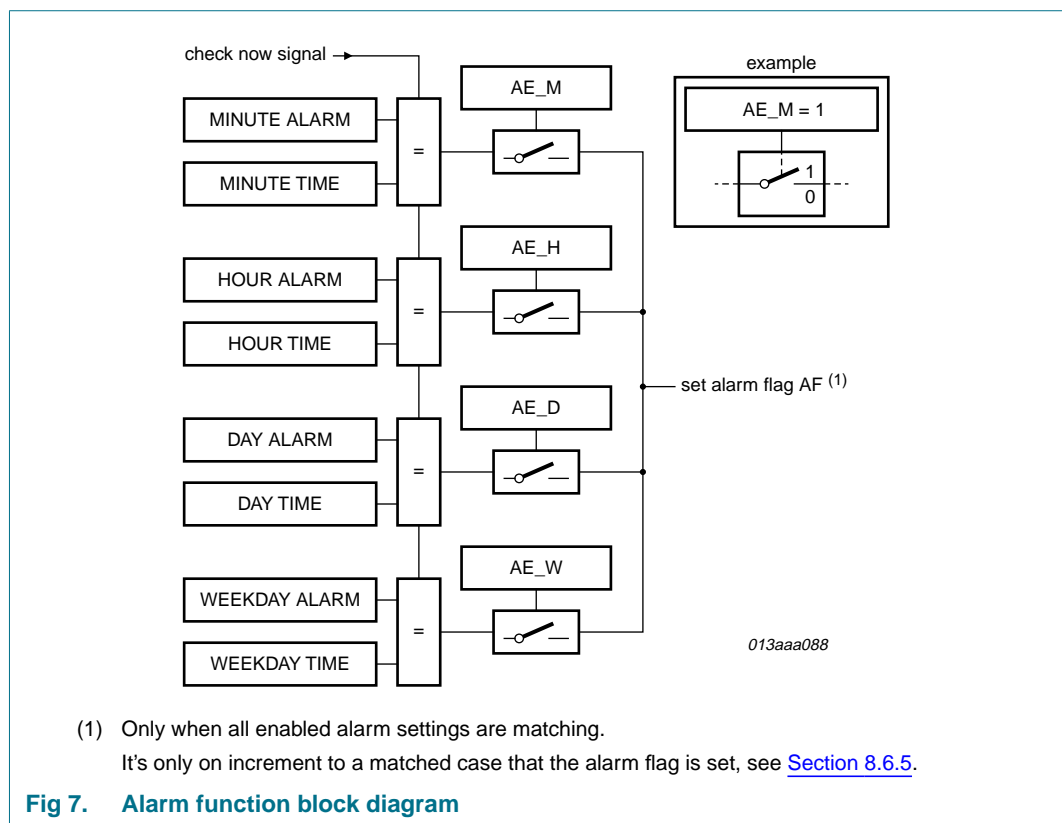
[1] Default value.

8.6.5 Alarm flag

By clearing the MSB of one or more of the alarm registers, AE_x (Alarm Enable), the corresponding alarm condition(s) are active. When an alarm occurs, AF is set logic 1. The asserted AF can be used to generate an interrupt (\overline{INT}). The AF is cleared by using the interface.

The registers at addresses 09h through 0Ch contain alarm information. When one or more of these registers is loaded with minute, hour, day or weekday, and its corresponding Alarm Enable bit (AE_x) is logic 0, then that information is compared with the current minute, hour, day, and weekday. When all enabled comparisons first match, the Alarm Flag (AF in register Control_status_2) is set logic 1.

The generation of interrupts from the alarm function is controlled via bit AIE. If bit AIE is enabled, the \overline{INT} pin follows the condition of bit AF. AF will remain set until cleared by using the interface. Once AF has been cleared, it will only be set again when the time increments to match the alarm condition once more. Alarm registers which have their AE_x bit at logic 1 are ignored.



8.7 Register CLKOUT_control and clock output

Frequencies of 32.768 kHz (default), 1.024 kHz, 32 Hz, and 1 Hz can be generated for use as a system clock, microcontroller clock, input to a charge pump, or for calibration of the oscillator. To enable pin CLKOUT pin CLKOE must be set HIGH. When disabled, CLKOUT is high-impedance.

Table 24. CLKOUT_control - CLKOUT control register (address 0Dh) bit description

Bit	Symbol	Value	Description
7 to 2	-	-	unused
1 to 0	FD[1:0]		frequency output at pin CLKOUT
		00 ^[1]	32.768 kHz
		01	1.024 kHz
		10	32 Hz
		11	1 Hz

[1] Default value.

8.8 Timer function

The 8-bit countdown timer at address 0Fh is controlled by the timer control register at address 0Eh. The timer control register determines one of 4 source clock frequencies for the timer (4.096 kHz, 64 Hz, 1 Hz, or 1/60 Hz) and enables or disables the timer. The timer counts down from a software-loaded 8-bit binary value. At the end of every countdown, the timer sets the Timer Flag (TF) in the register Control_status_2. The TF may only be cleared by software. The asserted TF can be used to generate an interrupt (on pin INT). The interrupt may be generated as a pulsed signal every countdown period or as a permanently active signal which follows the state of TF. Bit TI_TP is used to control this mode selection. When reading the timer, the current countdown value is returned.

8.8.1 Register Timer_control

Table 25. Timer_control - timer control register (address 0Eh) bit description

Bit	Symbol	Value	Description
7	TE	0 ^[1]	timer is disabled
		1	timer is enabled
6 to 2	-	-	unused
1 to 0	TD[1:0]		timer source clock frequency select ^[2]
		00	4.096 kHz
		01	64 Hz
		10	1 Hz
		11 ^[2]	1/60 Hz

[1] Default value.

[2] These bits determine the source clock for the countdown timer; when not in use, TD[1:0] should be set to 1/60 Hz for power saving.

8.8.2 Register Timer

Table 26. Timer - timer register (address 0Fh) bit description

Bit	Symbol	Value	Description
7 to 0	TIMER[7:0]	00h to FFh	countdown period in seconds:
			$CountdownPeriod = \frac{n}{SourceClockFrequency}$
			where n is the countdown value

Table 27. Timer register bits value range

Bit							
7	6	5	4	3	2	1	0
128	64	32	16	8	4	2	1

The timer register is an 8-bit binary countdown timer. It is enabled or disabled via the Timer_control register. The source clock for the timer is also selected by the Timer_control register. Other timer properties such as single or periodic interrupt generation are controlled via the register Control_status_2 (address 01h).

For accurate read back of the count down value, it is recommended to read the register twice and check for consistent results, since it is not possible to freeze the countdown timer counter during read back.

8.9 EXT_CLK test mode

A test mode is available which allows for on-board testing. In such a mode it is possible to set up test conditions and control the operation of the RTC.

The test mode is entered by setting bit TEST1 in register Control_status_1. Then pin CLKOUT becomes an input. The test mode replaces the internal 64 Hz signal with the signal applied to pin CLKOUT. Every 64 positive edges applied to pin CLKOUT will then generate an increment of one second.

The signal applied to pin CLKOUT should have a minimum pulse width of 300 ns and a maximum period of 1000 ns. The internal 64 Hz clock, now sourced from CLKOUT, is divided down to 1 Hz by a 2^6 divide chain called a prescaler. The prescaler can be set into a known state by using the bit STOP. When the STOP bit is set, the prescaler is reset to logic 0 (STOP must be cleared before the prescaler can operate again).

From a STOP condition, the first 1 second increment will take place after 32 positive edges on pin CLKOUT. Thereafter, every 64 positive edges will cause a one-second increment.

Remark: Entry into EXT_CLK test mode is not synchronized to the internal 64 Hz clock. When entering the test mode, no assumption as to the state of the prescaler can be made.

Operation example:

1. Set EXT_CLK test mode (Control_status_1, bit TEST1 = 1).
2. Set bit STOP (Control_status_1, bit STOP = 1).
3. Clear bit STOP (Control_status_1, bit STOP = 0).
4. Set time registers to desired value.
5. Apply 32 clock pulses to pin CLKOUT.
6. Read time registers to see the first change.
7. Apply 64 clock pulses to pin CLKOUT.
8. Read time registers to see the second change.

Repeat steps 7 and 8 for additional increments.

8.10 STOP bit function

The function of the STOP bit is to allow for accurate starting of the time circuits. The STOP bit function will cause the upper part of the prescaler (F_2 to F_{14}) to be held in reset and thus no 1 Hz ticks will be generated (see [Figure 8](#)). The time circuits can then be set and will not increment until the STOP bit is released (see [Figure 9](#) and [Table 28](#)).

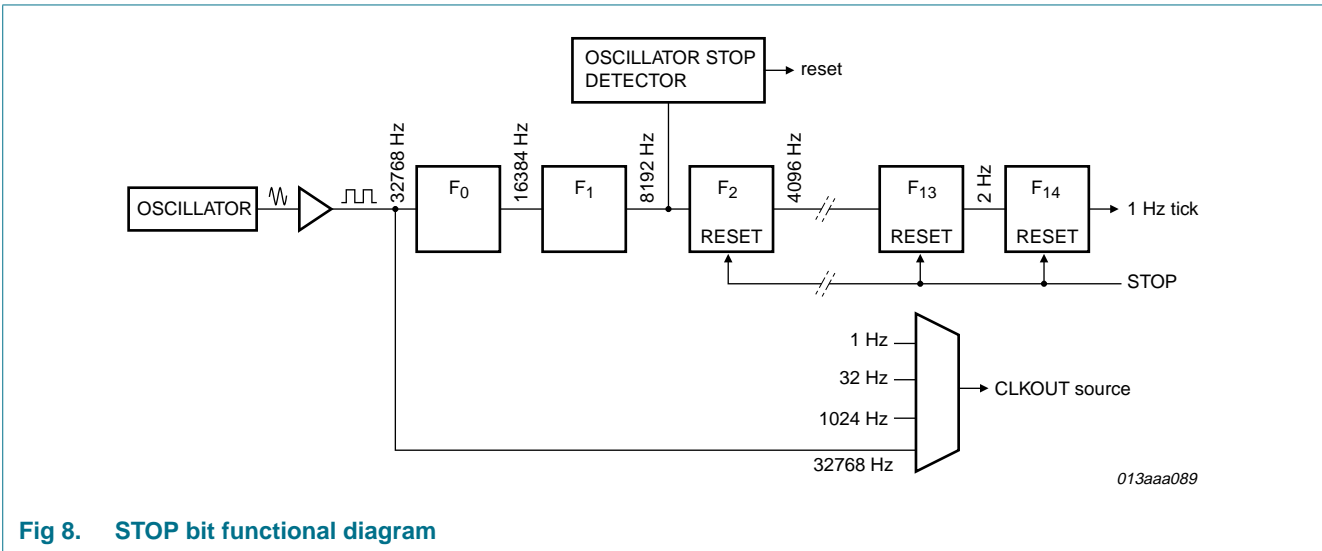


Fig 8. STOP bit functional diagram

The STOP bit function will not affect the output of 32.768 kHz on CLKOUT, but will stop the generation of 1.024 kHz, 32 Hz, and 1 Hz.

The lower two stages of the prescaler (F_0 and F_1) are not reset; and because the I²C-bus is asynchronous to the crystal oscillator, the accuracy of re-starting the time circuits will be between zero and one 8.192 kHz cycle (see [Figure 9](#)).

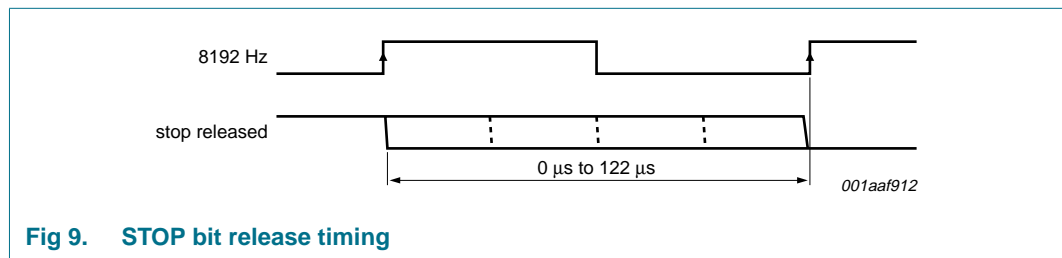


Fig 9. STOP bit release timing

Table 28. First increment of time circuits after STOP bit release

Bit	Prescaler bits [1]	1 Hz tick	Time	Comment
STOP	F ₀ F ₁ -F ₂ to F ₁₄		hh:mm:ss	
Clock is running normally				
0	01-0 0001 1101 0100		12:45:12	prescaler counting normally
STOP bit is activated by user. F₀F₁ are not reset and values cannot be predicted externally				
1	XX-0 0000 0000 0000		12:45:12	prescaler is reset; time circuits are frozen
New time is set by user				
1	XX-0 0000 0000 0000		08:00:00	prescaler is reset; time circuits are frozen
STOP bit is released by user				
0	XX-0 0000 0000 0000		08:00:00	prescaler is now running
	XX-1 0000 0000 0000		08:00:00	-
	XX-0 1000 0000 0000		08:00:00	-
	XX-1 1000 0000 0000		08:00:00	-
	:		:	:
	11-1 1111 1111 1110		08:00:00	-
	00-0 0000 0000 0001		08:00:01	0 to 1 transition of F ₁₄ increments the time circuits
	10-0 0000 0000 0001		08:00:01	-
	:		:	:
	11-1 1111 1111 1111		08:00:01	-
	00-0 0000 0000 0000		08:00:01	-
	10-0 0000 0000 0000		08:00:01	-
	:		:	:
	11-1 1111 1111 1110		08:00:01	-
	00-0 0000 0000 0001		08:00:02	0 to 1 transition of F ₁₄ increments the time circuits

013aaa076

[1] F₀ is clocked at 32.768 kHz.

The first increment of the time circuits is between 0.507813 s and 0.507935 s after STOP bit is released. The uncertainty is caused by the prescaler bits F₀ and F₁ not being reset (see [Table 28](#)) and the unknown state of the 32 kHz clock.

8.11 Reset

The PCA8565A includes an internal reset circuit which is active whenever the oscillator is stopped. In the reset state the I²C-bus logic is initialized including the address pointer and all registers are set according to [Table 29](#). I²C-bus communication is not possible during reset.

9. Characteristics of the I²C-bus

The I²C-bus is for bidirectional, two-line communication between different ICs or modules. The two lines are a Serial Data Line (SDA) and a Serial Clock Line (SCL). Both lines must be connected to a positive supply via a pull-up resistor. Data transfer may be initiated only when the bus is not busy.

9.1 Bit transfer

One data bit is transferred during each clock pulse. The data on the SDA line must remain stable during the HIGH period of the clock pulse, as changes in the data line at this time will be interpreted as a control signal (see [Figure 11](#)).

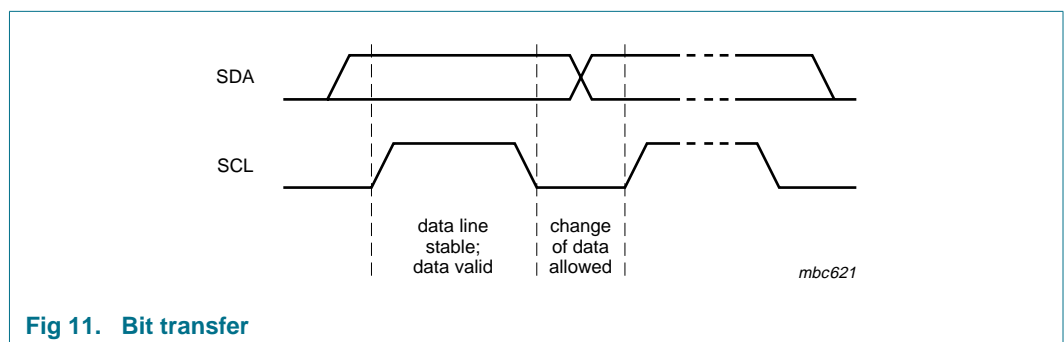


Fig 11. Bit transfer

9.2 START and STOP conditions

Both data and clock lines remain HIGH when the bus is not busy. A HIGH-to-LOW transition of the data line, while the clock is HIGH, is defined as the START condition (S). A LOW-to-HIGH transition of the data line, while the clock is HIGH, is defined as the STOP condition (P); see [Figure 12](#).

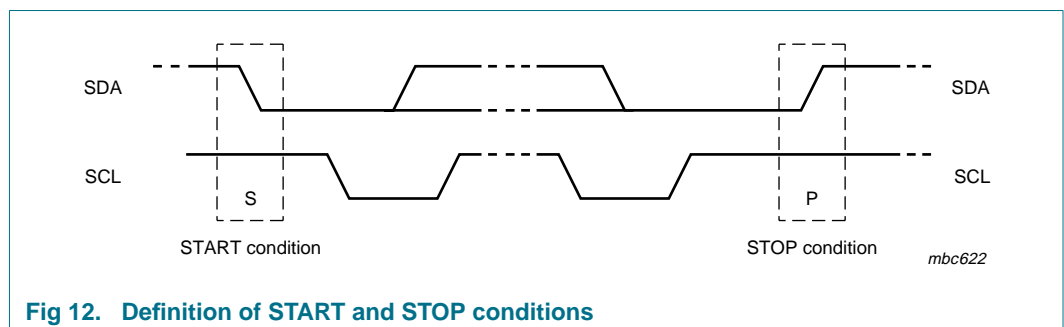


Fig 12. Definition of START and STOP conditions

9.3 System configuration

A device generating a message is a transmitter; a device receiving a message is a receiver. The device that controls the message is the master; and the devices which are controlled by the master are the slaves (see [Figure 13](#)).

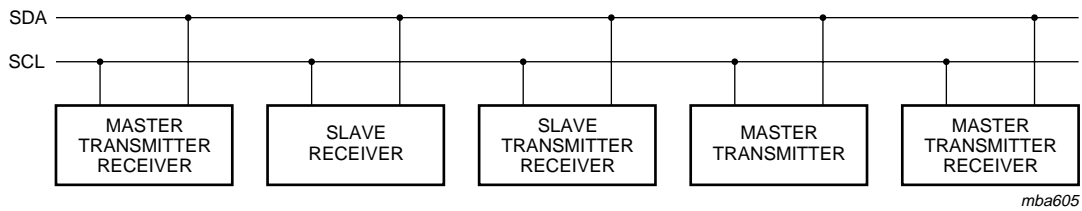


Fig 13. System configuration

9.4 Acknowledge

The number of data bytes transferred between the START and STOP conditions from transmitter to receiver is unlimited. Each byte of eight bits is followed by an acknowledge cycle.

- A slave receiver, which is addressed, must generate an acknowledge after the reception of each byte.
- Also a master receiver must generate an acknowledge after the reception of each byte that has been clocked out of the slave transmitter.
- The device that acknowledges must pull-down the SDA line during the acknowledge clock pulse, so that the SDA line is stable LOW during the HIGH period of the acknowledge related clock pulse (set-up and hold times must be taken into consideration).
- A master receiver must signal an end of data to the transmitter by not generating an acknowledge on the last byte that has been clocked out of the slave. In this event the transmitter must leave the data line HIGH to enable the master to generate a STOP condition.

Acknowledgement on the I²C-bus is shown in [Figure 14](#).

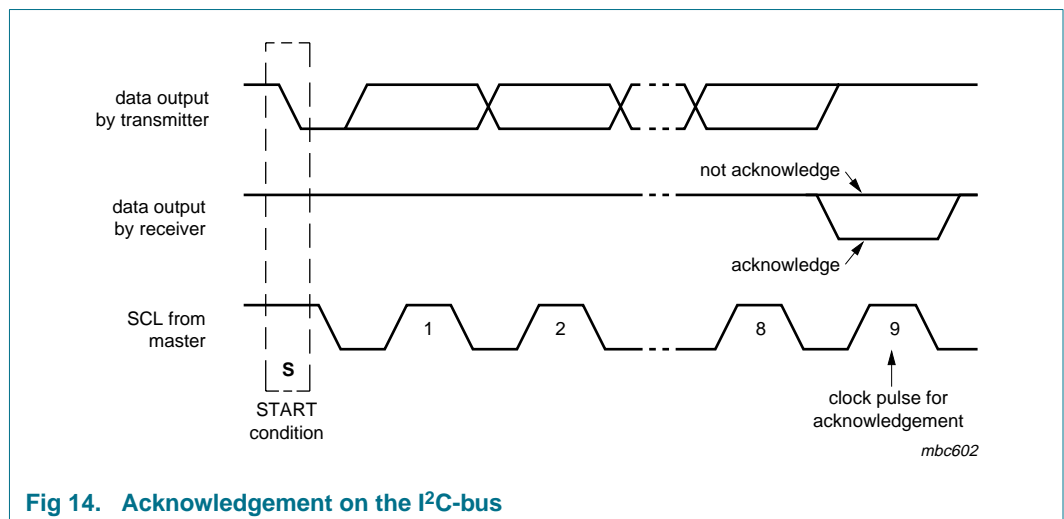


Fig 14. Acknowledgement on the I²C-bus

9.5 I²C-bus protocol

9.5.1 Addressing

Before any data is transmitted on the I²C-bus, the device which should respond is addressed first. The addressing is always carried out with the first byte transmitted after the start procedure.

The PCA8565A acts as a slave receiver or slave transmitter. Therefore, the clock signal SCL is only an input signal, but the data signal SDA is a bidirectional line.

Two slave addresses are reserved for the PCA8565A:

Read: A3h (10100011)

Write: A2h (10100010)

The PCA8565A slave address is shown in [Figure 15](#).

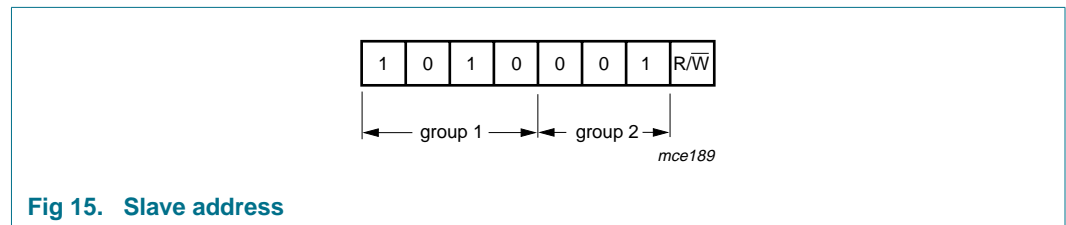


Fig 15. Slave address

9.5.2 Clock and calendar READ or WRITE cycles

The I²C-bus configuration for the different PCA8565A READ and WRITE cycles is shown in [Figure 16](#), [Figure 17](#), and [Figure 18](#). The word address is a 4-bit value that defines which register is to be accessed next. The upper four bits of the word address are not used.

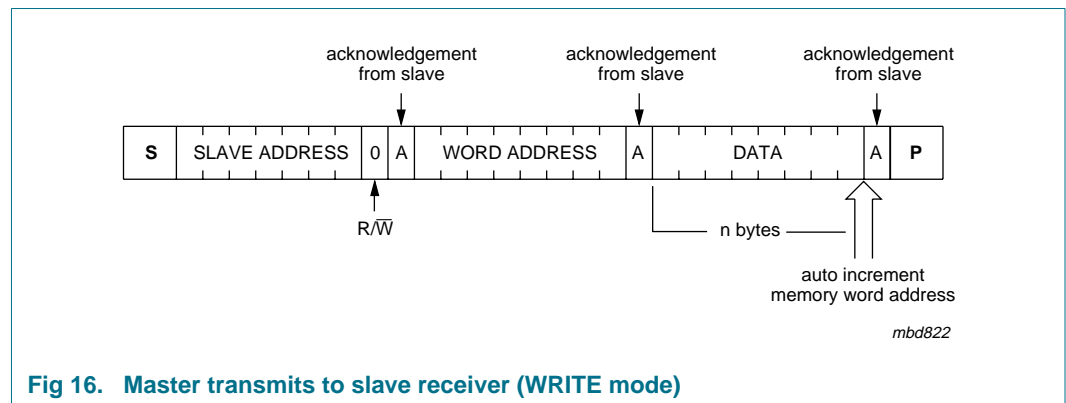
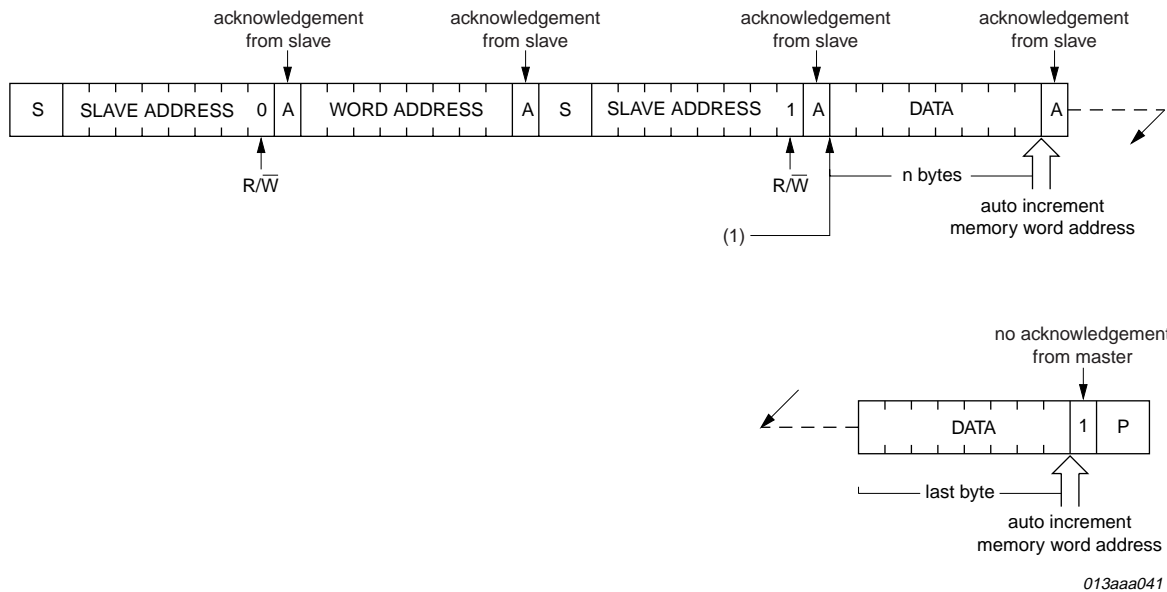


Fig 16. Master transmits to slave receiver (WRITE mode)



(1) At this moment master transmitter becomes master receiver and PCA8565A slave receiver becomes slave transmitter.

Fig 17. Master reads after setting word address (write word address; READ data)

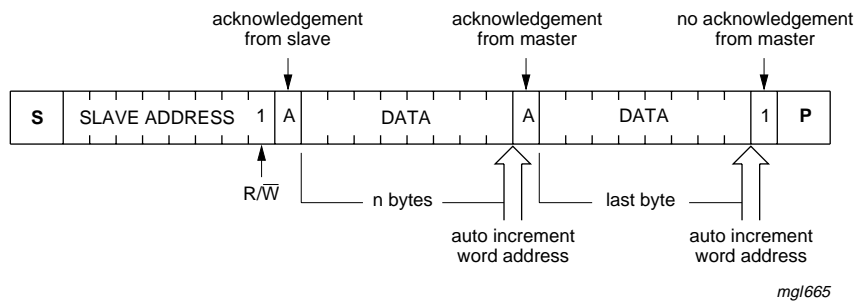


Fig 18. Master reads slave immediately after first byte (READ mode)

9.5.3 Interface watchdog timer

During read/write operations, the time counting circuits are frozen. To prevent a situation where the accessing device becomes locked and does not clear the interface, the PCA8565A has a built in watchdog timer. Should the interface be active for more than 1 s from the time a valid slave address is transmitted, then the PCA8565A will automatically clear the interface and allow the time counting circuits to continue counting.

The watchdog is implemented to prevent the excessive loss of time due to interface access failure e.g. if main power is removed from a battery backed-up system during an interface access.

Each time the watchdog period is exceeded, 1 s will be lost from the time counters. The watchdog will trigger between 1 s and 2 s after receiving a valid slave address.

10. Internal circuitry

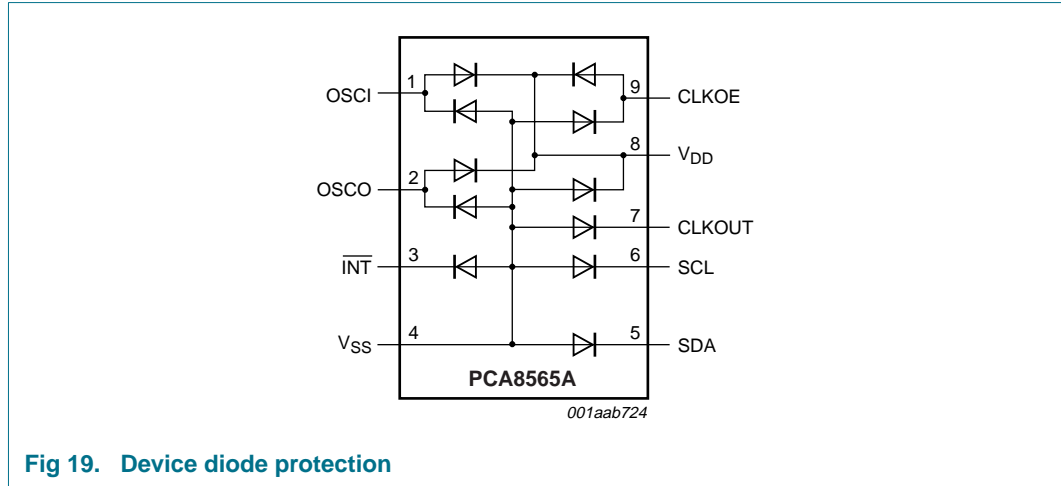


Fig 19. Device diode protection

11. Limiting values

Table 30. Limiting values

In accordance with the Absolute Maximum Rating System (IEC 60134).

Symbol	Parameter	Conditions	Min	Max	Unit	
V _{DD}	supply voltage		-0.5	+6.5	V	
I _{DD}	supply current		-50	+50	mA	
I _{SS}	ground supply current		-50	+50	mA	
V _I	input voltage		-0.5	+6.5	V	
V _O	output voltage		-0.5	+6.5	V	
I _I	input current		-10	+10	mA	
I _O	output current		-10	+10	mA	
P _{tot}	total power dissipation		-	300	mW	
V _{ESD}	electrostatic discharge voltage	HBM	[1]			
		die type 1	-	±2000	V	
		die type 2	-	±3500	V	
		MM	[2]			
		die type 1	-	±200	V	
		die type 2	-	±250	V	
I _{lu}	latch-up current	all pins but OSCI	[3]	-	100	mA
T _{stg}	storage temperature		[4]	-65	+150	°C

[1] Pass level; Human Body Model (HBM) according to [Ref. 4 "JESD22-A114"](#).

[2] Pass level; Machine Model (MM), according to [Ref. 5 "JESD22-A115"](#).

[3] Pass level; latch-up testing, according to [Ref. 7 "JESD78"](#) at maximum ambient temperature (T_{amb(max)} = +125 °C).

[4] According to the NXP store and transport requirements (see [Ref. 9 "NX3-00092"](#)) the devices have to be stored at a temperature of +8 °C to +45 °C and a humidity of 25 % to 75 %. For long term storage products deviant conditions are described in that document.

12. Static characteristics

Table 31. Static characteristics

$V_{DD} = 1.8\text{ V to }5.5\text{ V}$; $V_{SS} = 0\text{ V}$; $T_{amb} = -40\text{ °C to }+125\text{ °C}$; $f_{osc} = 32.768\text{ kHz}$; quartz $R_s = 40\text{ k}\Omega$; $C_L = 8\text{ pF}$; unless otherwise specified.

Symbol	Parameter	Conditions	Min	Typ	Max	Unit	
Supplies							
V_{DD}	supply voltage	I ² C-bus active; $f_{SCL} = 400\text{ kHz}$	1.8	-	5.5	V	
		for clock data integrity	V_{low}	-	5.5	V	
I_{DD}	supply current	interface active; $T_{amb} = -40\text{ °C to }+125\text{ °C}$					
		$f_{SCL} = 400\text{ kHz}$	-	100	250	μA	
		$f_{SCL} = 100\text{ kHz}$	-	25	100	μA	
		interface inactive ($f_{SCL} = 0\text{ Hz}$); [1][2] CLKOUT = V_{DD}					
		$T_{amb} = 125\text{ °C}$					
		$V_{DD} = 5.0\text{ V}$	-	1100	1800	nA	
		$V_{DD} = 3.0\text{ V}$	-	1000	1600	nA	
		$V_{DD} = 2.0\text{ V}$	-	950	1500	nA	
		$T_{amb} = 105\text{ °C}$					
		$V_{DD} = 5.0\text{ V}$	-	850	1500	nA	
		$V_{DD} = 3.0\text{ V}$	-	775	1300	nA	
		$V_{DD} = 2.0\text{ V}$	-	750	1200	nA	
		$T_{amb} = 85\text{ °C}$					
		$V_{DD} = 5.0\text{ V}$	-	600	1200	nA	
		$V_{DD} = 3.0\text{ V}$	-	550	1000	nA	
		$V_{DD} = 2.0\text{ V}$	-	550	900	nA	
		$T_{amb} = 25\text{ °C}$					
		$V_{DD} = 5.0\text{ V}$	-	600	1200	nA	
		$V_{DD} = 3.0\text{ V}$	-	550	1000	nA	
		$V_{DD} = 2.0\text{ V}$	-	550	900	nA	
		$T_{amb} = -40\text{ °C}$					
$V_{DD} = 5.0\text{ V}$	-	850	1500	nA			
$V_{DD} = 3.0\text{ V}$	-	775	1300	nA			
$V_{DD} = 2.0\text{ V}$	-	750	1200	nA			
$T_{amb} = -40\text{ °C to }+85\text{ °C}$							
$V_{DD} = 1.8\text{ V}$	-	550	-	nA			

Table 31. Static characteristics ...continued

$V_{DD} = 1.8\text{ V to }5.5\text{ V}$; $V_{SS} = 0\text{ V}$; $T_{amb} = -40\text{ °C to }+125\text{ °C}$; $f_{osc} = 32.768\text{ kHz}$; quartz $R_s = 40\text{ k}\Omega$; $C_L = 8\text{ pF}$; unless otherwise specified.

Symbol	Parameter	Conditions	Min	Typ	Max	Unit
I_{DD}	supply current	interface inactive ($f_{SCL} = 0\text{ Hz}$); CLKOUT enabled at 32 kHz	[1][2]			
		$T_{amb} = 125\text{ °C}$				
		$V_{DD} = 5.0\text{ V}$	-	1300	2500	nA
		$V_{DD} = 3.0\text{ V}$	-	1100	1900	nA
		$V_{DD} = 2.0\text{ V}$	-	1000	1700	nA
		$T_{amb} = 105\text{ °C}$				
		$V_{DD} = 5.0\text{ V}$	-	1100	2200	nA
		$V_{DD} = 3.0\text{ V}$	-	900	1600	nA
		$V_{DD} = 2.0\text{ V}$	-	800	1400	nA
		$T_{amb} = 85\text{ °C}$				
		$V_{DD} = 5.0\text{ V}$	-	900	1900	nA
		$V_{DD} = 3.0\text{ V}$	-	700	1300	nA
		$V_{DD} = 2.0\text{ V}$	-	600	1100	nA
		$T_{amb} = 25\text{ °C}$				
		$V_{DD} = 5.0\text{ V}$	-	900	1900	nA
		$V_{DD} = 3.0\text{ V}$	-	700	1300	nA
		$V_{DD} = 2.0\text{ V}$	-	600	1100	nA
		$T_{amb} = -40\text{ °C}$				
		$V_{DD} = 5.0\text{ V}$	-	1100	2200	nA
$V_{DD} = 3.0\text{ V}$	-	900	1600	nA		
$V_{DD} = 2.0\text{ V}$	-	800	1400	nA		
Inputs						
V_{IL}	LOW-level input voltage		$V_{SS} - 0.3$	-	$0.3V_{DD}$	V
V_{IH}	HIGH-level input voltage	pins SCL, SDA, CLKOE, OSCI	$0.7V_{DD}$	-	-	V
I_{LI}	input leakage current	pins SCL, SDA; $V_I = V_{DD}$ or V_{SS}	-1	0	+1	μA
C_i	input capacitance		[3]	-	7	pF
Outputs						
I_{OL}	LOW-level output current	output sink current; $V_{OL} = 0.4\text{ V}$; $V_{DD} = 5\text{ V}$				
		pin SDA	3	-	-	mA
		pin $\overline{\text{INT}}$	1	-	-	mA
		pin CLKOUT; $V_O = V_{DD}$ or V_{SS}	1	-	-	mA
I_{LO}	output leakage current		-1	0	+1	μA
Voltage detector and temperature						
V_{low}	low voltage		-	0.9	1.7	V
T_{amb}	ambient temperature		-40	-	+125	$^{\circ}\text{C}$

[1] Timer source clock = $\frac{1}{60}$ Hz, level of pins SCL and SDA is V_{DD} or V_{SS} .

[2] Worst case is at high temperature and high supply voltage.

[3] Tested on sample basis.

13. Dynamic characteristics

Table 32. Dynamic characteristics

$V_{DD} = 1.8\text{ V to }5.5\text{ V}$; $V_{SS} = 0\text{ V}$; $T_{amb} = -40\text{ °C to }+125\text{ °C}$; $f_{osc} = 32.768\text{ kHz}$; quartz $R_s = 40\text{ k}\Omega$; $C_L = 8\text{ pF}$; unless otherwise specified.

Symbol	Parameter	Conditions	Min	Typ	Max	Unit
Oscillator						
$C_{L(itg)}$	integrated load capacitance		[1] 6	8	10	pF
$\Delta f_{osc}/f_{osc}$	relative oscillator frequency variation	$\Delta V_{DD} = 200\text{ mV}$; $T_{amb} = 25\text{ °C}$	-	0.2	-	ppm
CLKOUT output						
δ_{CLKOUT}	duty cycle on pin CLKOUT		[2] -	50	-	%
Timing characteristics: I²C-bus[3][4]						
f_{SCL}	SCL clock frequency		[5] -	-	400	kHz
$t_{HD,STA}$	hold time (repeated) START condition		0.6	-	-	μs
$t_{SU,STA}$	set-up time for a repeated START condition		0.6	-	-	μs
t_{LOW}	LOW period of the SCL clock		1.3	-	-	μs
t_{HIGH}	HIGH period of the SCL clock		0.6	-	-	μs
t_r	rise time	of SCL and SDA signals	-	-	0.3	μs
t_f	fall time	of SCL and SDA signals	-	-	0.3	μs
C_b	capacitive load for each bus line		-	-	400	pF
$t_{SU,DAT}$	data set-up time		100	-	-	ns
$t_{HD,DAT}$	data hold time		0	-	-	ns
$t_{SU,STO}$	set-up time for STOP condition		0.6	-	-	μs
$t_{w(\text{spike})}$	spike pulse width	tolerable	-	-	50	ns

[1] Integrated load capacitance, $C_{L(itg)}$, is a calculation of C_{OSCI} and C_{OSCO} in series: $C_{L(itg)} = \frac{(C_{OSCI} \cdot C_{OSCO})}{(C_{OSCI} + C_{OSCO})}$.

[2] Unspecified for $f_{CLKOUT} = 32.768\text{ kHz}$.

[3] All timing values are valid within the operating supply voltage range at ambient temperature and referenced to V_{IL} and V_{IH} with an input voltage swing of V_{SS} to V_{DD} .

[4] A detailed description of the I²C-bus specification is given in [Ref. 10 "UM10204"](#).

[5] I²C-bus access time between two starts or between a start and a stop condition to this device must be less than one second.

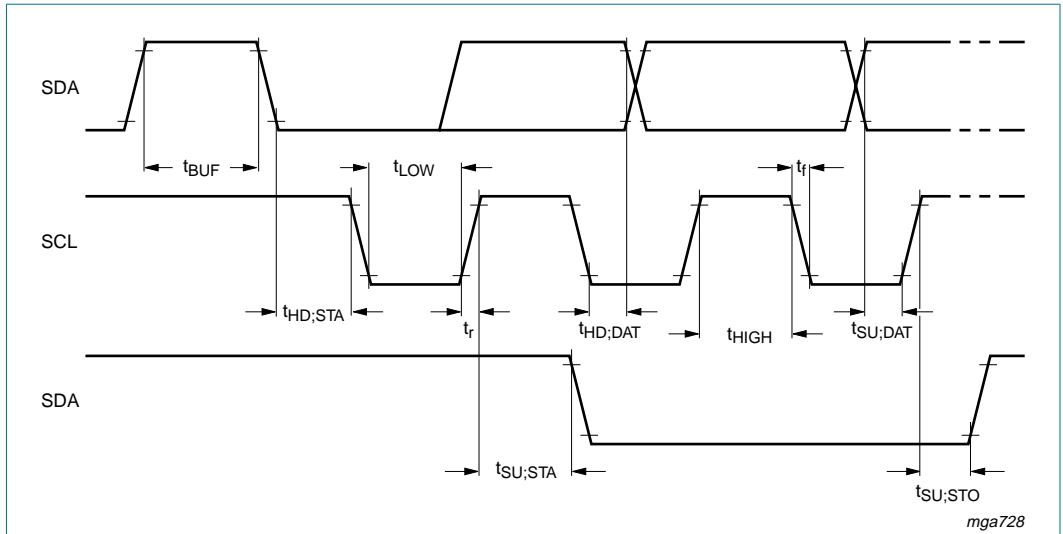


Fig 20. I²C-bus timing waveforms

14. Application information

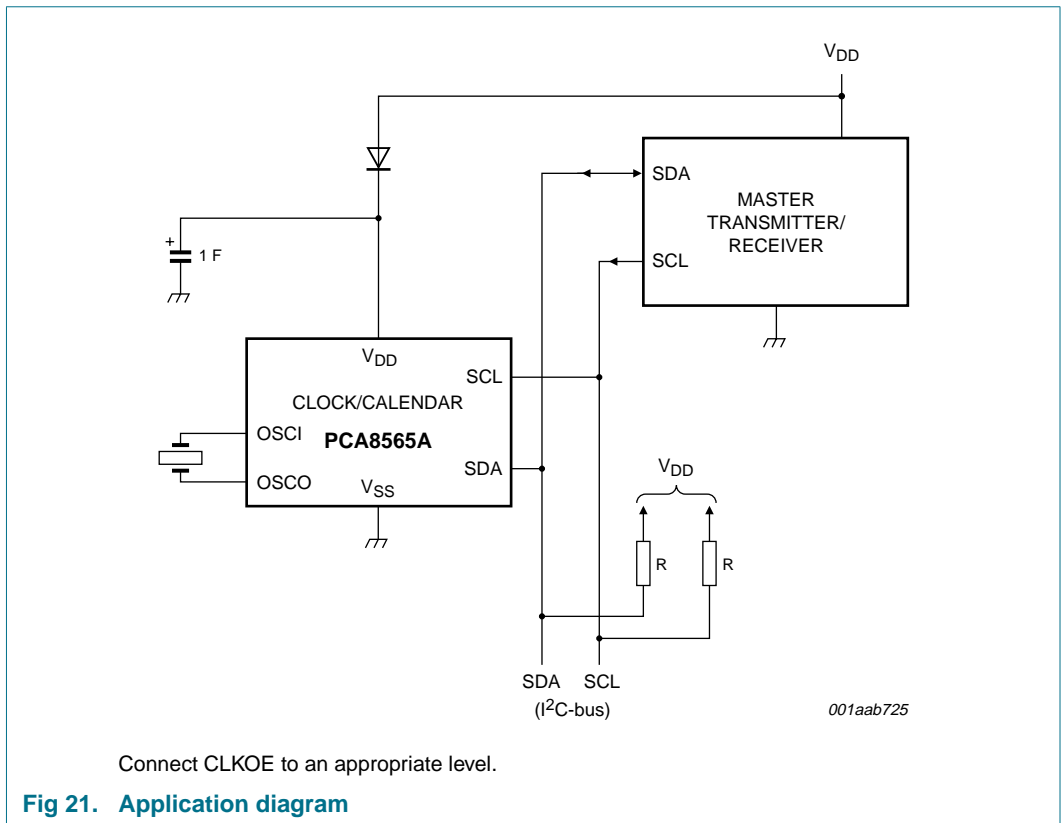


Fig 21. Application diagram

15. Bare die outline

Wire bond die; 9 bonding pads

PCA8565AU

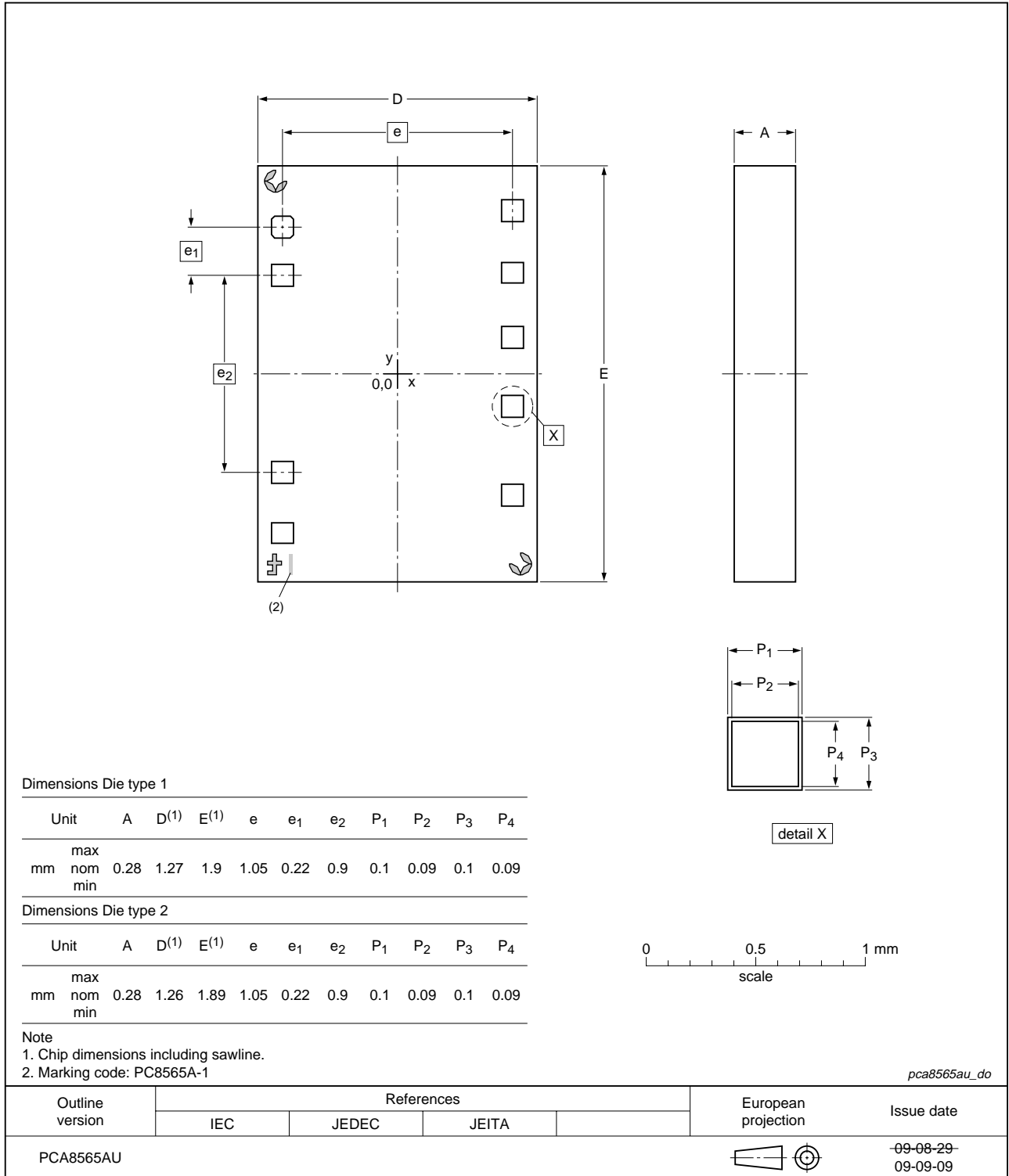


Fig 22. Bare die outline

Table 33. Pin description

All x/y coordinates represent the position of the center of each pad with respect to the center (x/y = 0) of the chip; see [Figure 22](#).

Symbol	Pad	X	Y
OSCI	1	-523.0 μm	689.4 μm
OSCO	2	-523.0 μm	469.4 μm
INT	3	-523.0 μm	-429.8 μm
V _{SS}	4	-523.0 μm	-684.4 μm
SDA	5	524.9 μm	-523.8 μm
SCL	6	524.9 μm	-138.6 μm
CLKOUT	7	524.9 μm	162.5 μm
V _{DD}	8	524.9 μm	443.3 μm
CLKOE	9	524.9 μm	716.3 μm

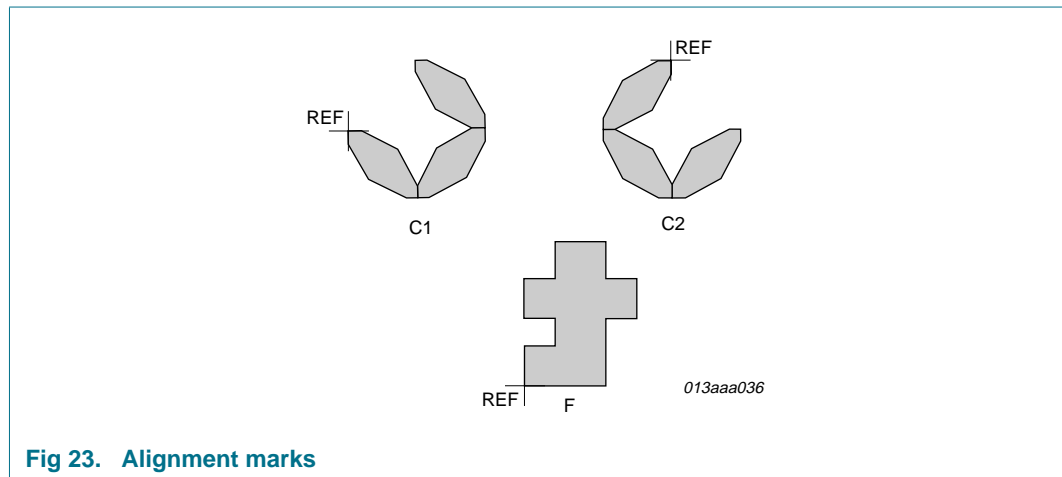


Fig 23. Alignment marks

Table 34. Alignment mark description

All x/y coordinates represent the position of the REF point (see [Figure 23](#)) with respect to the center (x/y = 0) of the chip; see [Figure 22](#).

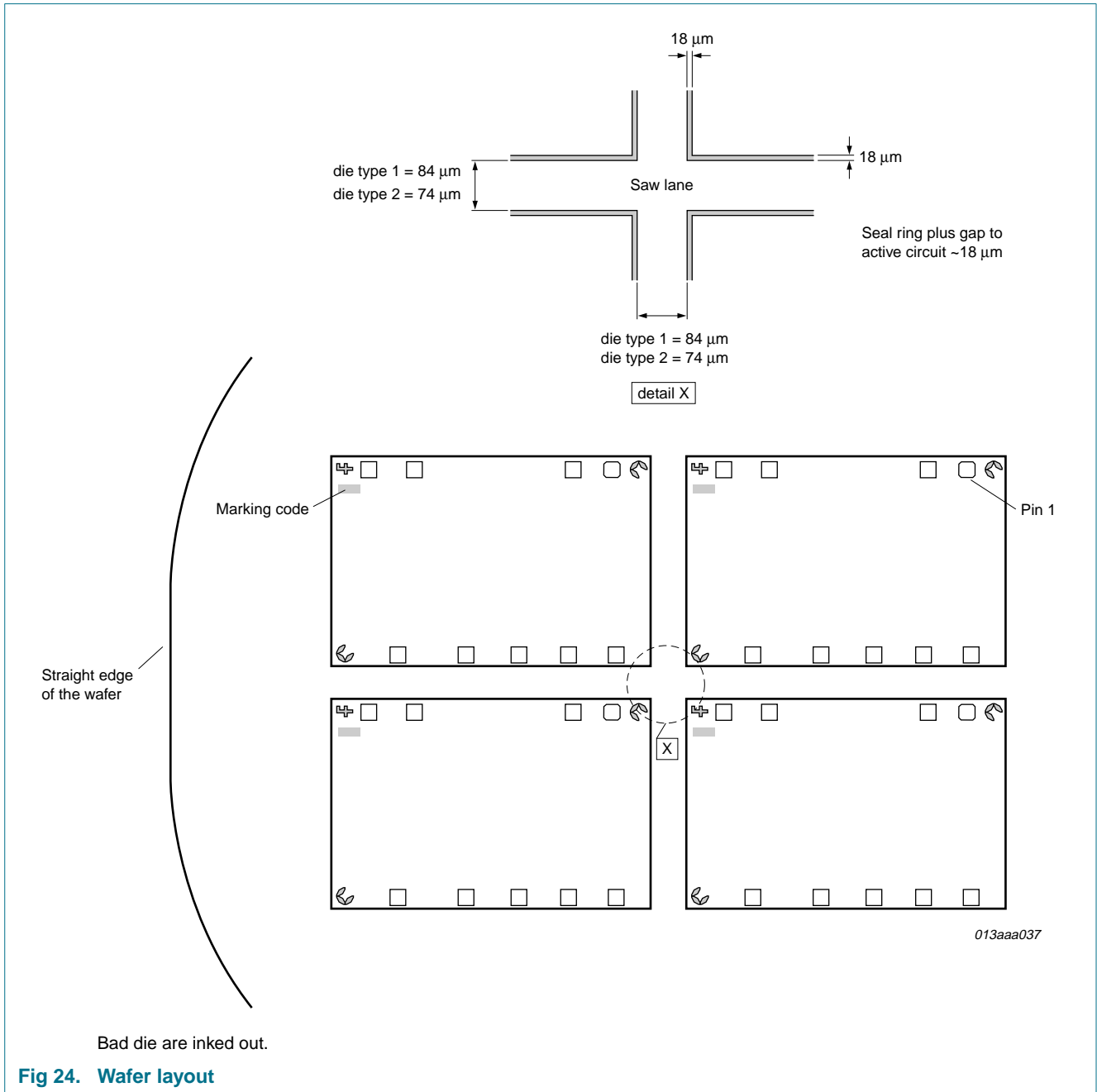
Symbol	Size (μm)	X	Y
C1	100 × 100	465.2 μm	-826.3 μm
C2	100 × 100	-523.5 μm	890.0 μm
F	90 × 117	-569.9 μm	-885.5 μm

16. Handling information

All input and output pins are protected against ElectroStatic Discharge (ESD) under normal handling. When handling Metal-Oxide Semiconductor (MOS) devices ensure that all normal precautions are taken as described in *JESD625-A*, *IEC 61340-5* or equivalent standards.

17. Packing information

17.1 Wafer information



18. Abbreviations

Table 35. Abbreviations

Acronym	Description
AEC	Automotive Electronics Council
BCD	Binary Coded Decimal
CMOS	Complementary Metal Oxide Semiconductor
HBM	Human Body Model
I ² C	Inter-Integrated Circuit
IC	Integrated Circuit
MM	Machine Model
MOS	Metal Oxide Semiconductor
MSB	Most Significant Bit
POR	Power-On Reset
RTC	Real Time Clock
SCL	Serial Clock Line
SDA	Serial Data Line

19. References

- [1] **AN10706** — Handling bare die
- [2] **IEC 60134** — Rating systems for electronic tubes and valves and analogous semiconductor devices
- [3] **IEC 61340-5** — Protection of electronic devices from electrostatic phenomena
- [4] **JESD22-A114** — Electrostatic Discharge (ESD) Sensitivity Testing Human Body Model (HBM)
- [5] **JESD22-A115** — Electrostatic Discharge (ESD) Sensitivity Testing Machine Model (MM)
- [6] **JESD22-C101** — Field-Induced Charged-Device Model Test Method for Electrostatic-Discharge-Withstand Thresholds of Microelectronic Components
- [7] **JESD78** — IC Latch-Up Test
- [8] **JESD625-A** — Requirements for Handling Electrostatic-Discharge-Sensitive (ESDS) Devices
- [9] **NX3-00092** — NXP store and transport requirements
- [10] **UM10204** — I²C-bus specification and user manual

20. Revision history

Table 36. Revision history

Document ID	Release date	Data sheet status	Change notice	Supersedes
PCA8565A_2	20091204	Product data sheet	-	PCA8565A_1
Modifications:	<ul style="list-style-type: none"> • Added new product type PCA8565AU/5BB/1 			
PCA8565A_1	20080222	Product data sheet	-	-

21. Legal information

21.1 Data sheet status

Document status ^{[1][2]}	Product status ^[3]	Definition
Objective [short] data sheet	Development	This document contains data from the objective specification for product development.
Preliminary [short] data sheet	Qualification	This document contains data from the preliminary specification.
Product [short] data sheet	Production	This document contains the product specification.

[1] Please consult the most recently issued document before initiating or completing a design.

[2] The term 'short data sheet' is explained in section "Definitions".

[3] The product status of device(s) described in this document may have changed since this document was published and may differ in case of multiple devices. The latest product status information is available on the Internet at URL <http://www.nxp.com>.

21.2 Definitions

Draft — The document is a draft version only. The content is still under internal review and subject to formal approval, which may result in modifications or additions. NXP Semiconductors does not give any representations or warranties as to the accuracy or completeness of information included herein and shall have no liability for the consequences of use of such information.

Short data sheet — A short data sheet is an extract from a full data sheet with the same product type number(s) and title. A short data sheet is intended for quick reference only and should not be relied upon to contain detailed and full information. For detailed and full information see the relevant full data sheet, which is available on request via the local NXP Semiconductors sales office. In case of any inconsistency or conflict with the short data sheet, the full data sheet shall prevail.

21.3 Disclaimers

General — Information in this document is believed to be accurate and reliable. However, NXP Semiconductors does not give any representations or warranties, expressed or implied, as to the accuracy or completeness of such information and shall have no liability for the consequences of use of such information.

Right to make changes — NXP Semiconductors reserves the right to make changes to information published in this document, including without limitation specifications and product descriptions, at any time and without notice. This document supersedes and replaces all information supplied prior to the publication hereof.

Suitability for use — NXP Semiconductors products are not designed, authorized or warranted to be suitable for use in medical, military, aircraft, space or life support equipment, nor in applications where failure or malfunction of an NXP Semiconductors product can reasonably be expected to result in personal injury, death or severe property or environmental damage. NXP Semiconductors accepts no liability for inclusion and/or use of NXP Semiconductors products in such equipment or applications and therefore such inclusion and/or use is at the customer's own risk.

Applications — Applications that are described herein for any of these products are for illustrative purposes only. NXP Semiconductors makes no representation or warranty that such applications will be suitable for the specified use without further testing or modification.

Limiting values — Stress above one or more limiting values (as defined in the Absolute Maximum Ratings System of IEC 60134) may cause permanent damage to the device. Limiting values are stress ratings only and operation of the device at these or any other conditions above those given in the Characteristics sections of this document is not implied. Exposure to limiting values for extended periods may affect device reliability.

Terms and conditions of sale — NXP Semiconductors products are sold subject to the general terms and conditions of commercial sale, as published at <http://www.nxp.com/profile/terms>, including those pertaining to warranty, intellectual property rights infringement and limitation of liability, unless explicitly otherwise agreed to in writing by NXP Semiconductors. In case of any inconsistency or conflict between information in this document and such terms and conditions, the latter will prevail.

No offer to sell or license — Nothing in this document may be interpreted or construed as an offer to sell products that is open for acceptance or the grant, conveyance or implication of any license under any copyrights, patents or other industrial or intellectual property rights.

Export control — This document as well as the item(s) described herein may be subject to export control regulations. Export might require a prior authorization from national authorities.

Bare die — All die are tested on compliance with their related technical specifications as stated in this data sheet up to the point of wafer sawing and are handled in accordance with the NXP Semiconductors storage and transportation conditions. If there are data sheet limits not guaranteed, these will be separately indicated in the data sheet. There are no post-packing tests performed on individual die or wafers.

NXP Semiconductors has no control of third party procedures in the sawing, handling, packing or assembly of the die. Accordingly, NXP Semiconductors assumes no liability for device functionality or performance of the die or systems after third party sawing, handling, packing or assembly of the die. It is the responsibility of the customer to test and qualify their application in which the die is used.

All die sales are conditioned upon and subject to the customer entering into a written die sale agreement with NXP Semiconductors through its legal department.

21.4 Trademarks

Notice: All referenced brands, product names, service names and trademarks are the property of their respective owners.

I²C-bus — logo is a trademark of NXP B.V.

22. Contact information

For more information, please visit: <http://www.nxp.com>

For sales office addresses, please send an email to: salesaddresses@nxp.com

23. Contents

1	General description	1	9.5.1	Addressing	24
2	Features	1	9.5.2	Clock and calendar READ or WRITE cycles	24
3	Applications	1	9.5.3	Interface watchdog timer	25
4	Ordering information	2	10	Internal circuitry	26
5	Marking	2	11	Limiting values	27
6	Block diagram	3	12	Static characteristics	28
7	Pinning information	4	13	Dynamic characteristics	30
7.1	Pinning	4	14	Application information	31
7.2	Pin description	4	15	Bare die outline	32
8	Functional description	5	16	Handling information	33
8.1	CLKOUT output	5	17	Packing information	34
8.2	Register organization	6	17.1	Wafer information	34
8.3	Control registers	7	18	Abbreviations	35
8.3.1	Register Control_status_1	7	19	References	36
8.3.2	Register Control_status_2	7	20	Revision history	36
8.3.2.1	Interrupt output	8	21	Legal information	37
8.4	Time and date registers	10	21.1	Data sheet status	37
8.4.1	Register VL_seconds	10	21.2	Definitions	37
8.4.1.1	Voltage-low detector and clock monitor	10	21.3	Disclaimers	37
8.4.2	Register Minutes	11	21.4	Trademarks	37
8.4.3	Register Hours	11	22	Contact information	37
8.4.4	Register Days	11	23	Contents	38
8.4.5	Register Weekdays	11			
8.4.6	Register Century_months	12			
8.4.7	Register Years	13			
8.5	Setting and reading the time	13			
8.6	Alarm registers	15			
8.6.1	Register Minute_alarm	15			
8.6.2	Register Hour_alarm	15			
8.6.3	Register Day_alarm	15			
8.6.4	Register Weekday_alarm	15			
8.6.5	Alarm flag	16			
8.7	Register CLKOUT_control and clock output	16			
8.8	Timer function	17			
8.8.1	Register Timer_control	17			
8.8.2	Register Timer	17			
8.9	EXT_CLK test mode	18			
8.10	STOP bit function	19			
8.11	Reset	20			
8.11.1	Power-On Reset (POR) override	21			
9	Characteristics of the I²C-bus	22			
9.1	Bit transfer	22			
9.2	START and STOP conditions	22			
9.3	System configuration	22			
9.4	Acknowledge	23			
9.5	I ² C-bus protocol	24			

Please be aware that important notices concerning this document and the product(s) described herein, have been included in section 'Legal information'.

