

TDA8025

IC card interface

Rev. 01 — 6 April 2009

Product data sheet

1. General description

The TDA8025 is a cost-effective analog interface for asynchronous smart cards operating at 3 V, 1.8 V or optionally, 1.2 V. Using few external components, the TDA8025 provides integrated supply, protection and control functions for a range of applications.

2. Features

- Integrated circuit smart card interface
- 3 V, 1.8 V or 1.2 V smart card supply
- Low power consumption in inactive mode
- Three protected, half duplex, bidirectional buffered input/output lines (C4, C7 and C8)
- V_{CC} regulation:
 - ◆ 3 V, 1.8 V or optionally 1.2 V at $\pm 5\%$ using one 220 nF and one 470 nF low ESR multilayer ceramic capacitor.
 - ◆ Current pulse handling for pulses of 40 nAs at $V_{CC} = 3\text{ V}$, 15 nAs at $V_{CC} = 1.8\text{ V}$ or $V_{CC} = 1.2\text{ V}$ up to 20 MHz
- Thermal and short-circuit protection for all card contacts
- Automatic activation and deactivation sequences triggered by short-circuit, card take-off, overheating, falling $V_{DD(INTF)}$ and $V_{DD(INTREGD)}$
- Enhanced card-side ElectroStatic Discharge (ESD) protection of $> 6\text{ kV}$
- Clock signal using the internal oscillator or an external crystal ($\leq 26\text{ MHz}$) connected to pin XTAL1
- Card clock generation up to 20 MHz with synchronous frequency changes of f_{xtal} , $\frac{1}{2} f_{xtal}$, $\frac{1}{4} f_{xtal}$ or $\frac{1}{8} f_{xtal}$ using pins CLKDIV1 and CLKDIV2
- Non-inverted control of pin RST using pin RSTIN
- NDS certified
- Supply supervisors during power on and off:
 - ◆ $V_{DD(INTREGD)}$ using a fixed threshold
 - ◆ $V_{DD(INTF)}$ using resistor bridge threshold adjustment
- Built-in debouncing on card presence contacts (typically 4.5 ms)
- Multiplexed status signal using pin OFFN

3. Applications

- Pay TV
- Electronic payment
- Identification
- Bank card readers

4. Quick reference data

Table 1. Quick reference data

Symbol	Parameter	Conditions	Min	Typ	Max	Unit
Supplies						
V _{DDI(REG)}	regulator input supply voltage	pin CONFIG = ground	3.6	5	5.5	V
		pin CONFIG = V _{DDI(REG)} ; regulator is bypassed	3	3.3	3.6	V
V _{DD(INTF)}	interface supply voltage	pin CONFIG = ground	[1] 1.6	3.0	3.3	V
		pin CONFIG = V _{DDI(REG)} and V _{DD(INTF)} not connected to V _{DDI(REG)} and V _{DD(INTREGD)}	1.6	3.0	V _{DDI(REG)} + 0.3	V
		pin CONFIG = V _{DDI(REG)} with V _{DD(INTF)} connected to V _{DDI(REG)} and V _{DD(INTREGD)}	3	3.3	3.6	V
I _{DDI(REG)}	regulator input supply current	inactive mode				
		V _{DDI(REG)} = 5 V; f _{x_{tal}} = stopped	-	-	300	μA
		V _{DDI(REG)} = 5 V; f _{x_{tal}} = 10 MHz; f _{CLK} = 1/8 f _{X_{TAL}}	-	-	2.5	mA
		active mode				
		V _{CC} = 3 V; I _{CC} = 65 mA	-	-	85	mA
		V _{CC} = 1.8 V; I _{CC} = 65 mA	-	-	85	mA
		V _{CC} = 1.2 V; I _{CC} = 30 mA	-	-	50	mA
Card supply voltage						
V _{CC}	supply voltage	including ripple				
		inactive mode				
		no load	-0.1	-	+0.1	V
		I _{CC} = 1 mA	-0.1	-	+0.3	V
		active mode				
		3 V card:				
		I _{CC} < 65 mA DC	2.85	3.05	3.15	V
		single current pulse -100 mA; 2 μs	2.76	3.05	3.20	V
		current pulses of 40 nAs at I _{CC} < 200 mA; t < 400 ns	2.76	3.05	3.20	V
		1.8 V card:				
		I _{CC} < 65 mA DC	1.71	1.83	1.89	V
		single current pulse -100 mA; 2 μs	1.66	1.83	1.94	V
		current pulses of 15 nAs with I _{CC} < 200 mA; t < 400 ns	1.66	1.83	1.94	V
		1.2 V card:				
		I _{CC} < 30 mA DC	1.1	1.2	1.3	V
		single current pulse -100 mA; 2 μs	1.1	1.2	1.3	V
current pulses of 15 nAs with I _{CC} < 200 mA; t < 400 ns	1.10	1.2	1.3	V		
V _{ripple(p-p)}	peak-to-peak ripple voltage	pin V _{CC} ; 20 kHz to 200 MHz	-	-	350	mV

Table 1. Quick reference data ...continued

Symbol	Parameter	Conditions	Min	Typ	Max	Unit
I _{CC}	supply current	0 V to 3 V	-	-	65	mA
		0 V to 1.8 V	-	-	65	mA
		0 V to 1.2 V	-	-	30	mA
SR	slew rate	up or down	0.02	0.14	0.26	V/μs
General						
t _{deact}	deactivation time	total sequence	[2] 35	80	100	μs
P _{tot}	total power dissipation	T _{amb} = -25 °C to +85 °C	-	-	0.56	W
T _{amb}	ambient temperature		-25	-	+85	°C

[1] To enable the microcontroller to provide the required maximum voltage input level on XTAL1, V_{DD(INTRF)} must not exceed V_{DD(INTRF)} + 0.3 V. See [Section 8.1 on page 7](#) for specific limitations on the maximum V_{DD(INTRF)} voltage and [Table 8 on page 23](#) for the limits of XTAL1.

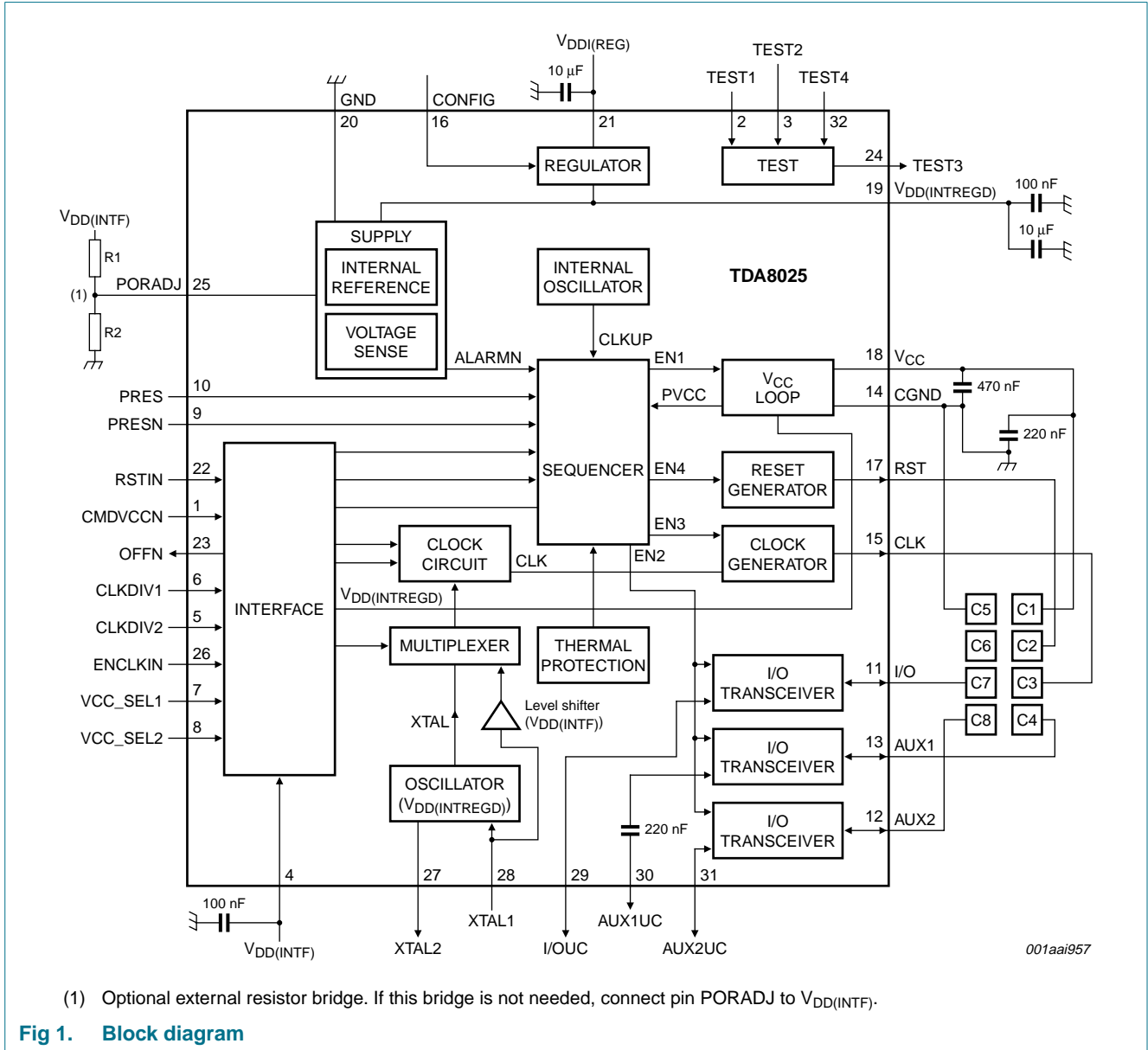
[2] See [Figure 12 on page 18](#).

5. Ordering information

Table 2. Ordering information

Type number	Package		Version
	Name	Description	
TDA8025HN	HVQFN32	plastic thermal enhanced very thin quad flat package; no leads; 32 terminals; body 5 × 5 × 0.85 mm	SOT617-1

6. Block diagram



7. Pinning information

7.1 Pinning

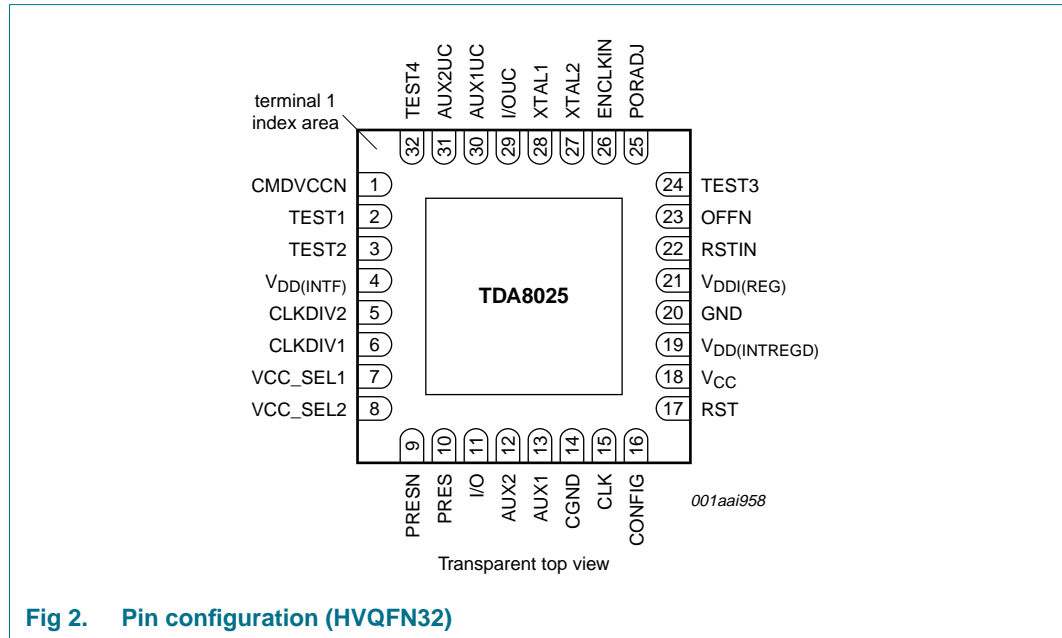


Fig 2. Pin configuration (HVQFN32)

7.2 Pin description

Table 3. Pin description

Symbol	Pin	Type ^[1]	Description
CMDVCCN	1	I	microcontroller start activation sequence input; active LOW
TEST1	2	I	test pin; connect to GND
TEST2	3	I	test pin; connect to GND
V _{DD} (INTF)	4	P	interface supply voltage
CLKDIV2	5	I	sets the clock frequency; used together with pin CLKDIV1; see Table 4 on page 12
CLKDIV1	6	I	sets the clock frequency; used together pin CLKDIV2; see Table 4 on page 12
VCC_SEL1	7	I	optional 1.2 V selection control signal: active HIGH: V _{CC} = 1.2 V active LOW: disables 1.2 V selection
VCC_SEL2	8	I	3 V or 1.8 V selection control signal: active LOW: V _{CC} = 3 V active HIGH: V _{CC} = 1.8 V when pin VCC_SEL1 is active LOW
PRESN	9	I	card presence contact input; active LOW ^[2]
PRES	10	I	card presence contact input; active HIGH ^[2]
I/O	11	I/O	card input/output data line (C7) ^[3]
AUX2	12	I/O	card auxiliary 2 input/output data line (C8) ^[3]
AUX1	13	I/O	card auxiliary 1 input/output data line (C4) ^[3]

Table 3. Pin description ...continued

Symbol	Pin	Type ^[1]	Description
CGND	14	G	card signal ground
CLK	15	O	card clock (C3)
CONFIG	16	I	3.3 V or 5 V core regulator supply voltage selection; see Figure 3 on page 7
RST	17	O	card reset (C2)
V _{CC}	18	P	card supply (C1); decouple to pin CGND using one 470 nF and one 220 nF capacitor with an Equivalent Series Resistance (ESR) < 100 mΩ
V _{DD(INTRREGD)}	19	P	internally regulated supply voltage
GND	20	G	ground
V _{DD(REG)}	21	P	regulator input supply voltage
RSTIN	22	I	microcontroller card reset input; active HIGH
OFFN	23	O	NMOS interrupt to microcontroller ^[4] ; active LOW; see Section 8.10 on page 19
TEST3	24	O	test pin; do not connect to the application
PORADJ	25	I	power-on reset threshold adjustment input ^[4]
ENCLKIN	26	I	enable external clock on pin XTAL1; active HIGH
XTAL2	27	O	crystal connection pin; open when used with an external clock source
XTAL1	28	I	crystal connection pin; supply reference V _{DD(INTRREGD)} external clock input; supply reference V _{DD(INTF)}
I/OUC	29	I/O	microcontroller input/output data line ^[4]
AUX1UC	30	I/O	microcontroller auxiliary 1 input/output data line ^[4]
AUX2UC	31	I/O	microcontroller auxiliary 2 input/output data line ^[4]
TEST4	32	I	test pin; connect to GND

[1] I = input, O = output, I/O = input/output, G = ground and P = power supply.

[2] If pin PRESN or pin PRES is true, the card is considered to be present. During card insertion, debouncing can occur on these signals. To counter this, the TDA8025 has a built-in debouncing timer (typically 4.5 ms).

[3] Using the internal pull-up resistor connected to pin V_{CC}.

[4] Using the internal pull-up resistor connected to pin V_{DD(INTF)}.

8. Functional description

Remark: Throughout this document the ISO7816 terminology conventions have been adhered to and it is assumed that the reader is familiar with these.

8.1 Power supplies

Two supply selections can be made using pin CONFIG (see [Figure 3](#)) depending on the active state of the pin:

- pin CONFIG is LOW: supply is pin $V_{DDI(REG)}$. The voltage range of the pin is between 3.6 V and 5.5 V. The regulator output range is between 3 V and 3.6 V.
- pin CONFIG is HIGH: supply pins $V_{DDI(REG)}$ and $V_{DD(INTREGD)}$ are connected together to bypass the regulator. Pin $V_{DDI(REG)}$ voltage is between 3 V and 3.6 V.

Remark: $V_{DD(INTF)}$ must not exceed $V_{DD(INTREGD)} + 0.3$ V.

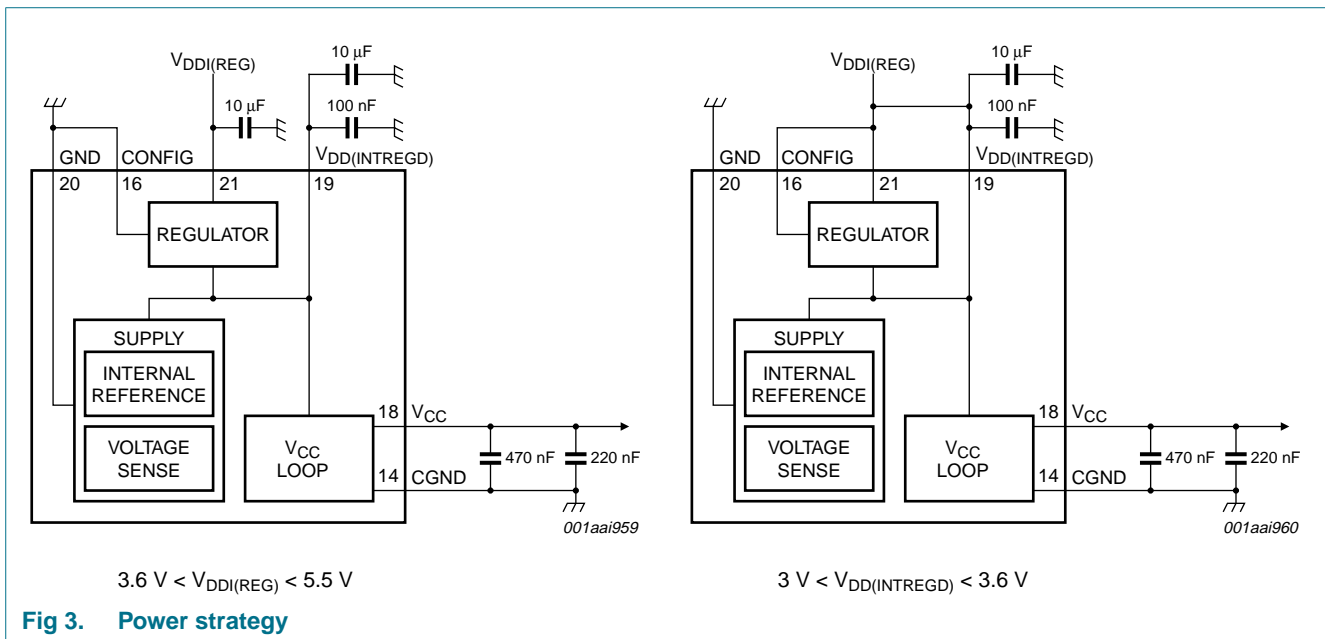


Fig 3. Power strategy

The following examples illustrate the voltage restrictions for $V_{DD(INTF)}$.

- CONFIG pin driven to GND: when $V_{DD(INTREGD)}$ is generated by the internal regulator, $V_{DD(INTF)}$ must not exceed 3.3 V.
- CONFIG pin is driven by $V_{DDI(REG)}$ without $V_{DD(INTF)}$ tied to $V_{DDI(REG)}$ while $V_{DD(INTREGD)}$ is tied to $V_{DDI(REG)}$: $V_{DD(INTF)}$ must not exceed $V_{DDI(REG)} + 0.3$ V.
- CONFIG pin is driven by $V_{DDI(REG)}$ with $V_{DD(INTF)}$ tied to both $V_{DDI(REG)}$ and $V_{DD(INTREGD)}$: there are no restrictions for $V_{DD(INTF)}$.

The TDA8025 is held in the reset state until $V_{DD(INTREGD)}$ reaches $V_{th} + V_{hys}$ and $PORADJ$ $V_{th} + V_{hys}$ plus the $t_{w(POR)}$ delay. If the $V_{DD(INTREGD)}$ and $PORADJ$ signals fall below V_{th} , an automatic contact deactivation is triggered.

All interface signals to the microcontroller are referenced to $V_{DD(INTF)}$. In addition, all card contacts remain inactive during power-up and power-down cycles.

After powering up the device, pin OFFN remains LOW until pins CMDVCCN and PRES are both HIGH or pin CMDVCCN is HIGH and pin PRESN is LOW. During power off, pin OFFN is driven LOW when $V_{DD(INTREGD)}$ is below the falling threshold voltage (V_{th}).

When pin CMDVCCN is HIGH, the internal oscillator frequency ($f_{osc(int)}$) is switched to Low frequency (inactive) mode to reduce power consumption.

8.2 Voltage supervisors

8.2.1 Block diagram

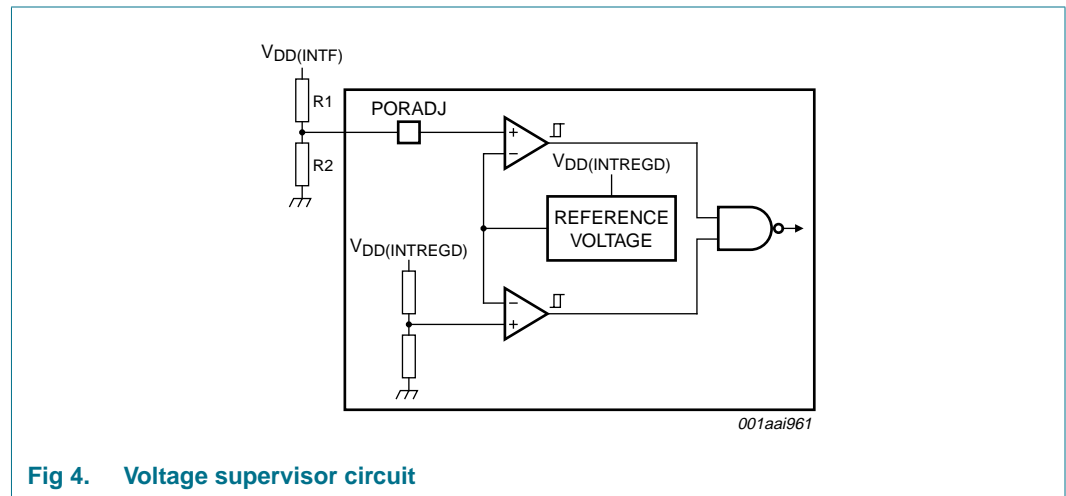


Fig 4. Voltage supervisor circuit

8.2.2 Description

The voltage supervisors provide both the Power-On Reset (POR) and supply drop-out detection functions. They control the internal regulated supply voltage ($V_{DD(INTREGD)}$) and the microcontroller interface supply voltage ($V_{DD(INTF)}$) to ensure problem-free operation of the TDA8025.

By monitoring both $V_{DD(INTREGD)}$ and $V_{DD(INTF)}$, the voltage supervisors ensure these voltages are high enough to ensure correct operation of the TDA8025 and flawless communication between it and the microcontroller. This information is combined and sent to the digital controller in order to reset the TDA8025.

An extension of the power-on reset pulse width of ± 8 ms ($t_{w(POR)}$) is used to maintain the TDA8025 in inactive mode after the supply voltage power on or off sequences (see [Figure 5](#)).

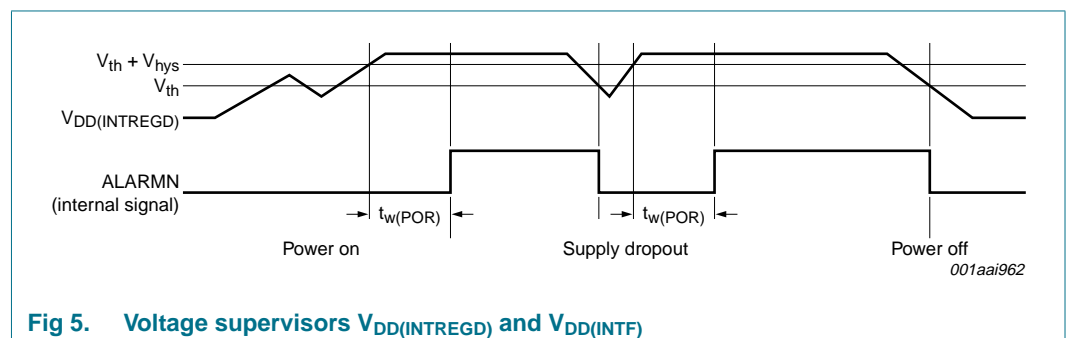


Fig 5. Voltage supervisors $V_{DD(INTREGD)}$ and $V_{DD(INTF)}$

8.2.3 $V_{DD(INTREGD)}$ voltage supervisor with pin PORADJ connected to $V_{DD(INTF)}$

The TDA8025 remains in inactive mode irrespective of the levels on the command lines when

- $V_{DD(INTREGD)}$ is less than $V_{th} + V_{hys}$ (on pin $V_{DD(INTREGD)}$)
- Pin PORADJ (monitoring $V_{DD(INTF)}$) is less than $V_{th} + V_{hys}$

In both cases, this lasts for the duration of $t_{w(POR)}$ after $V_{DD(INTREGD)}$ (on pin $V_{DD(INTREGD)}$) and $V_{DD(INTF)}$ (on pin $V_{DD(INTF)}$) have reached a level higher than $V_{th} + V_{hys}$. Two threshold voltages (V_{th}) are set by the hardware as follows:

- $V_{DD(INTREGD)}$ threshold voltage: is set to the minimum supply voltage (2.7 V) specified for the digital part of the TDA8025
- $V_{DD(INTF)}$ threshold voltage: is set to 1.24 V; see [Table 8 on page 23](#) for detailed information.

8.2.4 $V_{DD(INTF)}$ voltage supervisor with external divider on pin PORADJ

An external resistor bridge can be used to divide $V_{DD(INTF)}$ on pin PORADJ to adapt the detection threshold when monitoring the microcontroller interface supply voltage.

Connecting the external resistor bridge as illustrated in [Figure 4 on page 8](#) (R1 connected to $V_{DD(INTF)}$ and R2 connected to GND) to pin PORADJ overrides the internal threshold voltage V_{th} on pin $V_{DD(INTF)}$.

The threshold voltage on pin $V_{DD(INTF)}$ is calculated as follows:

$$V_{th} \text{ on pin } V_{DD(INTF)} = V_{bg} \left(\frac{1 + R1}{R2} \right) \quad (1)$$

where

- V_{bg} is the bandgap voltage

When the resistor bridge is not used, pin PORADJ must be connected to pin $V_{DD(INTF)}$.

8.2.4.1 R1 and R2 resistor value calculation

This section describes how to calculate the values for resistors R1 and R2, taking into account the IC detector threshold spread and the external resistance, while ensuring reliable activation.

If for example, the controller is supplied by a regulator at $3.3 \text{ V} \pm 20 \%$. Activation can be triggered above $V_{DD(INTF)} = 3.3 \text{ V} - 20 \%$ (in this example 2.64 V). This activation threshold is defined as $V_{DD(INTF)actmin}$; i.e. the minimum value of $V_{DD(INTF)}$ above which activation can always be triggered.

In addition to this external input, activation is permitted provided all the following conditions are met (see [Table 8 on page 23](#)): card presence, IC temperature, $V_{DD(INTF)}$ and $V_{DD(INTREGD)}$ supplies, etc.

The voltage on PORADJ (V_{PORADJ}) can be calculated as: $V_{PORADJ} = \alpha \times V_{DD(INTF)}$

where:

- $V_{DD(INTF)}$ is the interface supply voltage
- ratio α

$$\alpha = \frac{I}{I + \frac{R1}{R2}} \quad (2)$$

An activation can be triggered if

$$V_{DD(INTF)} \times \alpha > V_{th(max)} \Rightarrow V_{DD(INTF)} > \frac{V_{th(max)}}{\alpha} \quad (3)$$

where

- $V_{th(max)}$ is the maximum rising external threshold voltage

The resistance spread of R1 between a minimum value $R1_{min}$ and a maximum value $R1_{max}$ induces a spread of the ratio α . This is also true for R2. Based on this:

$$V_{DD(INTF)actmin} = \frac{V_{th(max)}}{\alpha_{min}} \quad (4)$$

where

$$\alpha_{min} = \frac{I}{I + \frac{R1_{max}}{R2_{min}}} \quad (5)$$

If $\Delta R1$ is the maximum spread of R1 and $\Delta R2$ is the maximum spread of R2 then:

$$R1_{max} = R1_{nom} + \Delta R1 = R1_{nom} \cdot \left(1 + \frac{\Delta R1}{R1_{nom}}\right) \quad (6)$$

$$R2_{min} = R2_{nom} - \Delta R2 = R2_{nom} \cdot \left(1 - \frac{\Delta R2}{R2_{nom}}\right) \quad (7)$$

$$\alpha_{min} = \frac{I}{I + \frac{R1_{nom} \cdot \left(1 + \frac{\Delta R1}{R1_{nom}}\right)}{R2_{nom} \cdot \left(1 - \frac{\Delta R2}{R2_{nom}}\right)}} = \frac{I}{I + \frac{R1_{nom} \cdot (I + \beta)}{R2_{nom} \cdot (I - \beta)}} = \frac{V_{th(max)}}{V_{DD(INTF)actmin}} \quad (8)$$

where

- where β is the accuracy ratio of R1 and R2 (R1 and R2 are considered to be of the same type).

Then

$$\frac{R1_{nom}}{R2_{nom}} = \frac{(I - \beta)}{(I + \beta)} \cdot \left(\frac{V_{DD(INTF)actmin}}{V_{th(max)}} - I \right) \quad (9)$$

$$R2_{nom} = \frac{R_{sum}}{\left(I + \frac{R1_{nom}}{R2_{nom}} \right)} = \frac{R_{sum}}{\left(I + \frac{(I - \beta)}{(I + \beta)} \cdot \left(\frac{V_{DD(INTF)actmin}}{V_{th(max)}} - I \right) \right)} \quad (10)$$

If we target 1 % accuracy resistors ($\beta = 0.01$) and $R_{sum} = 100 \text{ k}\Omega$; $V_{th(max)} = 1.33 \text{ V}$ (see [Table 8 on page 23](#)) and $V_{DD(INTF)actmin} = 2.64 \text{ V}$ then

- $R1_{nom} = 50.88 \text{ k}\Omega$
- $R2_{nom} = 49.12 \text{ k}\Omega$

Deactivation always occurs when

$$V_{PORADJ} < V_{th(min)} \Rightarrow V_{DD(INTF)deactmax} = \frac{V_{th(min)}}{\alpha_{max}} \quad (11)$$

where

- $V_{th(min)}$ is the minimum falling external threshold voltage
- $V_{DD(INTF)deactmax}$ is the maximum value of $V_{DD(INTF)}$ below which deactivation always occurs
- α_{max}

$$\alpha_{max} = \frac{I}{I + \frac{R1_{nom} \cdot (I - \beta)}{R2_{nom} \cdot (I + \beta)}} = \frac{V_{th(min)}}{V_{DD(INTF)deactmax}} \quad (12)$$

With the resulting values for $R1_{nom}$, $R2_{nom}$ and β ; $V_{th(min)} = 1.17 \text{ V}$ (see [Table 8 on page 23](#)) then $V_{DD(INTF)deactmax}$ is 2.28 V .

8.3 Clock circuits

The clock signal (pin CLK) to the card is either generated by the clock signal input on pin XTAL1 or from a crystal ($f_{xtal} \leq 26 \text{ MHz}$) connected between pins XTAL1 and XTAL2. The voltage level applied to pin ENCLKIN defines which clock signal is used. When pin ENCLKIN is HIGH, connect the external clock to pin XTAL1.

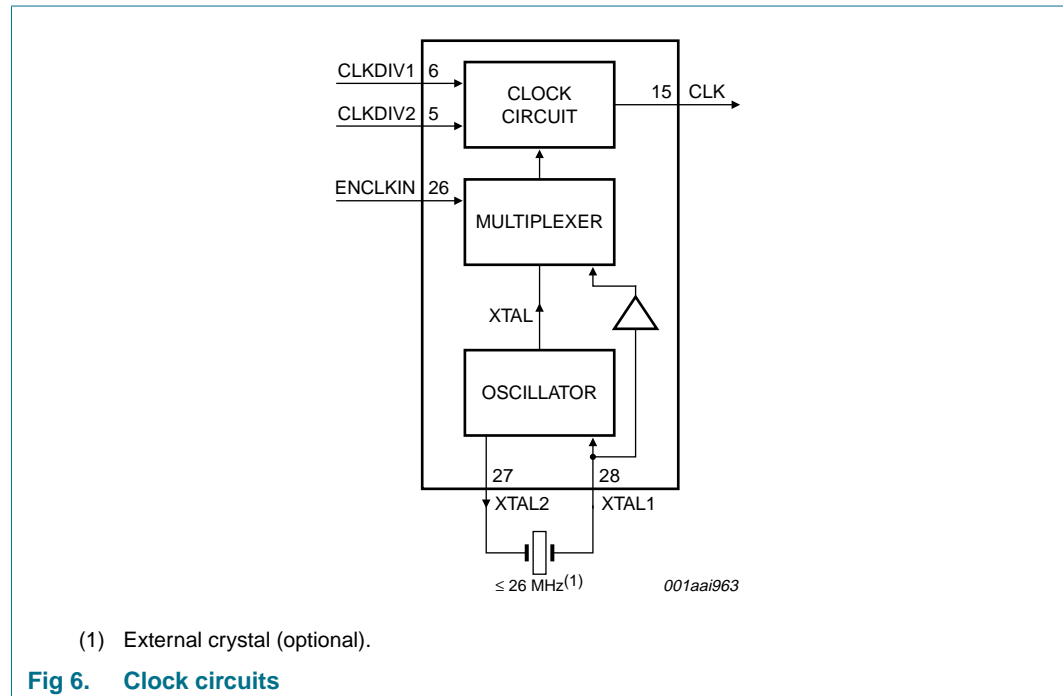
Driving pin ENCLKIN LOW causes the external crystal to generate frequency f_{xtal} . Using pins CLKDIV1 and CLKDIV2, the crystal frequency can be set to either f_{xtal} , $\frac{1}{2} f_{xtal}$, $\frac{1}{4} f_{xtal}$ or $\frac{1}{8} f_{xtal}$.

The frequency change is synchronous and as such during transition, no pulse is shorter than 45 % of the smallest period. In addition, only the first and last clock pulse around the change have the correct width. When dynamically changing the frequency, the modification is only effective after 10 periods of XTAL1.

The duty cycle on pin CLK should be between 45 % and 55 %. To ensure this, the following must be applied:

- when the CLK frequency is f_{xtal} :
 If an external clock is connected to pin XTAL1, the duty cycle should be between 48 % and 52 % with an input signal period transition time of less than 5 %.
 If a crystal is used to generate f_{xtal} , the duty cycle on pin CLK should be between 45 % and 55 % depending on the layout, crystal characteristics and frequency.
- when CLK frequency is either f_{xtal} , $\frac{1}{2} f_{xtal}$, $\frac{1}{4} f_{xtal}$ or $\frac{1}{8} f_{xtal}$:
 The duty cycle is guaranteed between 45 % and 55 % of the period frequency divisions.

When a crystal is used, it runs when pin ENCLKIN is driven LOW.



The clock signal is applied to the card based on the activation sequence as shown on the timing diagrams; see [Figure 8 on page 15](#) to [Figure 13 on page 19](#).

When the signal applied to XTAL1 is controlled by the microcontroller, the clock signal is sent to the card only after the activation sequence finishes.

Table 4. Clock configuration

Clock circuitry definition (pins CLKDIV1 and CLKDIV2 can be changed simultaneously; a >10 XTAL1 period delay is needed. The minimum duration of any CLK state is 10 XTAL1 periods).

CLKDIV1	CLKDIV2	CLK
0	0	$\frac{1}{8} f_{xtal}$
0	1	$\frac{1}{4} f_{xtal}$
1	1	$\frac{1}{2} f_{xtal}$
1	0	f_{xtal}

8.4 Input and output circuits

When pins I/O and I/OUC are driven HIGH using an 11 kΩ resistor between pins I/O and V_{CC} and/or between pins I/OUC and V_{DD(INTF)}, both lines enter the idle state. Pin I/O is referenced to V_{CC} and pin I/OUC to V_{DD(INTF)}, thus allowing operation at V_{CC} ≠ V_{DD(INTF)}.

The first side on which a falling edge occurs becomes the master. An anti-latch circuit disables falling edge detection on the other line, making it the slave. After a time delay t_{d(edge)}, the NMOS transistor on the slave-side is turned on. It then sends logic 0 to the master-side. When the master returns logic 1, the PMOS transistor on the slave side is turned on during the time delay (t_{pu}). After this sequence, both the master and slave return to their idle states.

The active pull-up feature ensures fast LOW-to-HIGH transitions making the TDA8025 capable of delivering more than 1 mA, up to an output voltage of 0.9 V_{CC}, at a load of 80 pF. At the end of the active pull-up pulse, the output voltage is dependent on the internal pull-up resistor value and load current. The current sent to and received from the card's I/O lines is internally limited to 15 mA at a maximum frequency of 1 MHz.

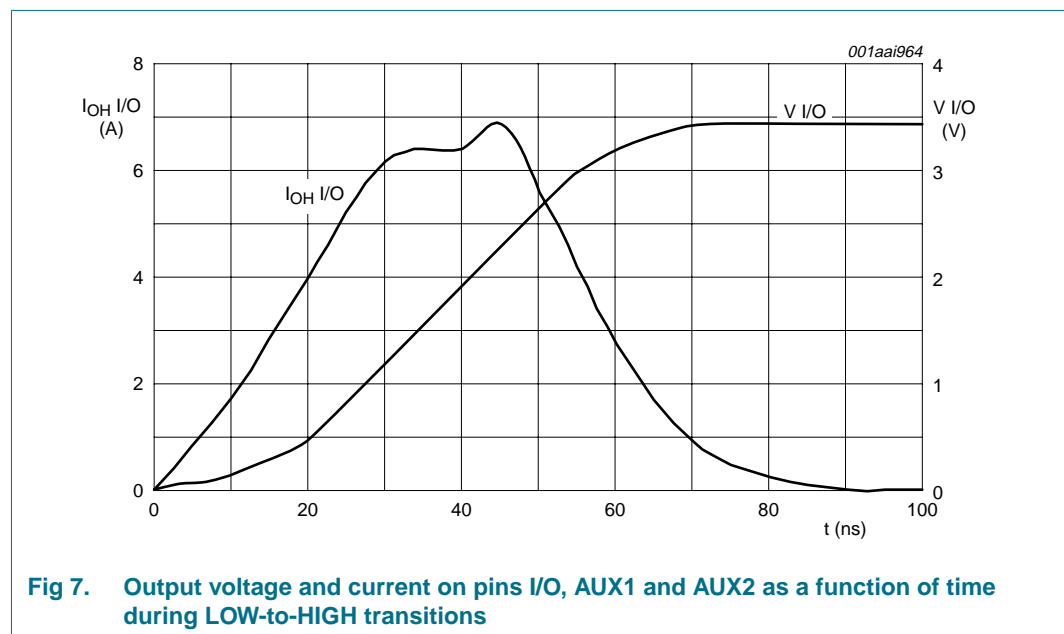


Fig 7. Output voltage and current on pins I/O, AUX1 and AUX2 as a function of time during LOW-to-HIGH transitions

8.5 Inactive mode

After a power-on reset, the circuit enters the inactive mode, ensuring only the minimum number of circuits are active while the TDA8025 waits for the microcontroller to start a session. The inactive mode conditions are as follows:

- all card contacts are inactive. The impedance between the contacts and GND is approximately 200 Ω.
- pins I/OUC, AUX1UC and AUX2UC are high-impedance using the 11 kΩ pull-up resistor connected to V_{DD(INTF)}
- the voltage generators and crystal oscillator are stopped
- the voltage supervisor is active
- the internal oscillator runs in low frequency mode

8.6 Activation sequence

After the power-on and internal pulse width delay, the microcontroller checks the presence of the card using signal OFFN.

- The card is present when pins OFFN and CMDVCCN are HIGH
- The card is not present when pin OFFN is LOW and pin CMDVCCN is HIGH

If the card is in the reader (either pin PRESN or pin PRES is true), the microcontroller can start a card session by pulling pin CMDVCCN LOW. When using an external crystal, the following sequence is applied (see [Figure 8](#)):

1. pin CMDVCCN is pulled LOW (t_0)
2. the crystal oscillator is triggered
3. the internal oscillator changes to its high frequency (t_1)
4. V_{CC} rises either from 0 V to 3 V or 1.8 V on a controlled slope (t_2)
5. pins I/O, AUX1 and AUX2 which were pulled LOW are driven HIGH (t_3)
6. the clock (pin CLK) is applied to the C3 contact (t_4)
7. pin RST is enabled (t_5)

Calculation of the time delays is as follows:

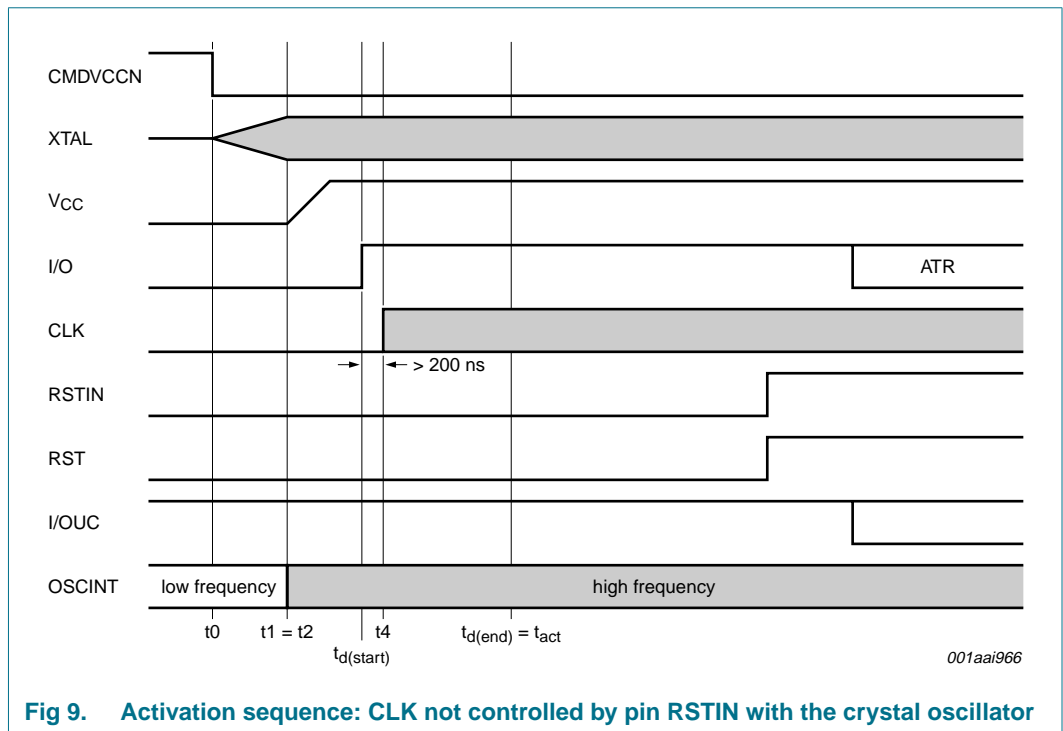
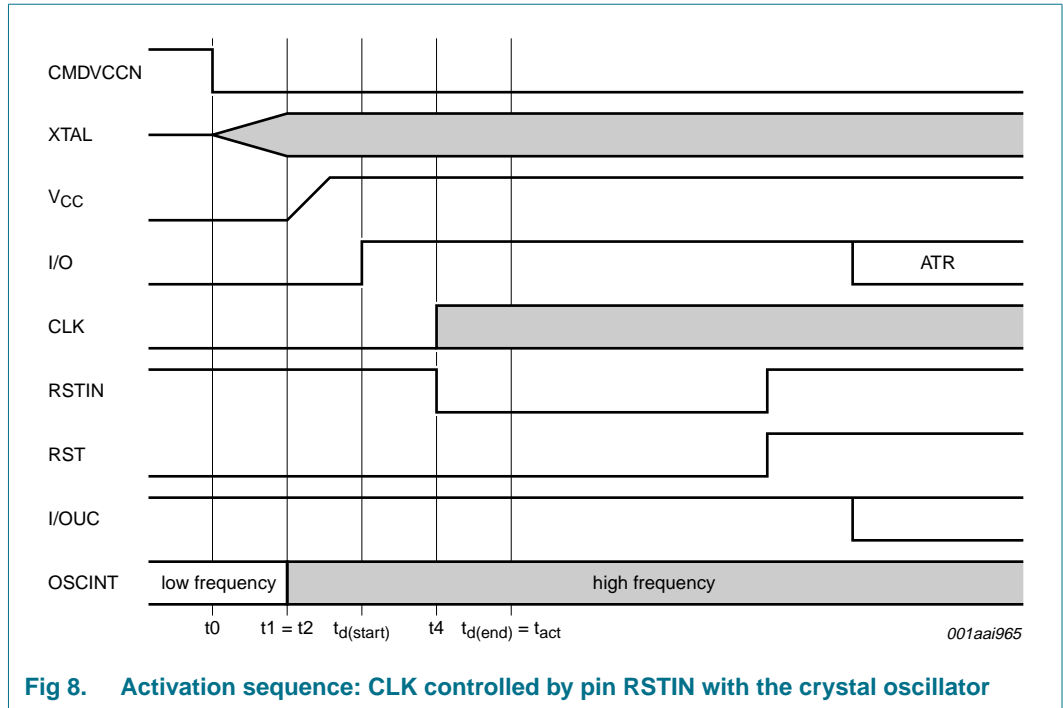
- $t_1 = t_0 + 2.13 \text{ ms}$
- $t_2 = t_1$
- $t_3 = t_1 + 5T/2$
- $t_4 =$ driven by host controller; $> t_3$ and $< t_5$
- $t_5 = t_1 + 11T/2$

Remark: The value of period T is 64 times the period interval of the internal oscillator (i.e. $\pm 25 \mu\text{s}$). t_3 is called $t_{d(\text{start})}$ and t_5 is called $t_{d(\text{end})}$.

The clock is applied to the card in one of the following ways:

- using pin RSTIN: The clock (pin CLK) start-up can be selected at either t_3 or t_5 using pin RSTIN. When pin RSTIN is HIGH and pin CMDVCCN is LOW, setting pin RSTIN to LOW between delays t_3 and t_5 sends signal CLK. Pin RSTIN should be held LOW until after delay t_5 . After passing t_5 , pin RST is a copy of pin RSTIN and has no further effect on pin CLK. It enables the microcontroller to precisely choose the CLK start by counting clock cycles from the falling edge of the RSTIN signal.
- not using pin RSTIN: If this feature is not needed, set both pins CMDVCCN and RSTIN to LOW. The clock (pin CLK) will start at delay t_3 (a minimum 200 ns after the input/output transition). After delay t_5 , pin RSTIN can be set HIGH to receive the card Answer To Request (ATR).

Remark: Do not perform activation with pin RSTIN permanently pulled HIGH.



The following sequence occurs when using an external clock connected to pin XTAL1 (see [Figure 10](#)):

1. external clock (XTAL1) started by the microcontroller (t_0)
2. CMDVCCN is pulled LOW and the internal oscillator changes to its high frequency (t_1)
3. V_{CC} rises either from 0 V to 3 V or 0 V to 1.8 V on a controlled slope (t_2)

4. pins I/O, AUX1 and AUX2 are enabled (t3)
5. CLK is applied to the C3 contact (t4)
6. pin RST is enabled (t5)

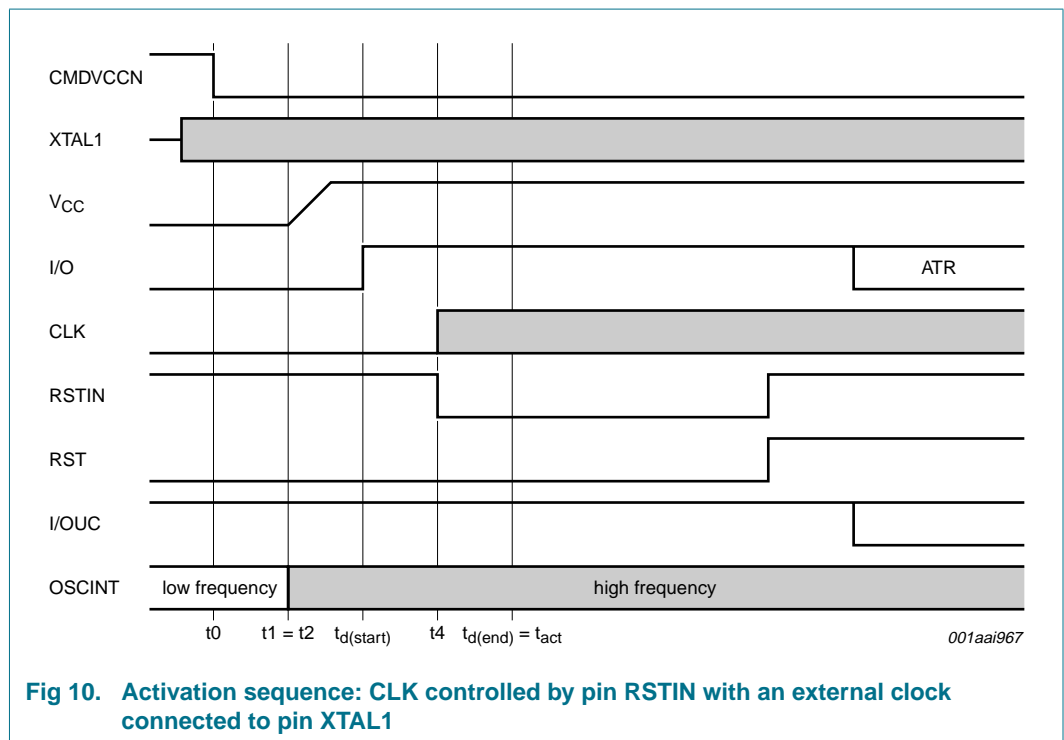
Calculation of the time delays is as follows:

- $t_1 = t_0 + 2.13 \text{ ms}$
- $t_2 = t_1 = 3T/2 + 3(1/f_{\text{osc(int)low}})$
- $t_3 = t_1 + 5T/2$
- $t_4 = \text{driven by the host controller; } > t_3 \text{ and } < t_5$
- $t_5 = t_1 + 11T/2$

Remark: The value of period T is 64 times the period interval of the internal oscillator (i.e. $\pm 25 \mu\text{s}$). t3 is called $t_{d(\text{start})}$ and t5 is called $t_{d(\text{end})}$. $f_{\text{osc(int)low}}$ is the low (or inactive mode) frequency of the defined $f_{\text{osc(int)}}$ parameter.

The CLK is applied to the card under control of pin RSTIN in exactly the same way as with the crystal oscillator.

Remark: Do not perform activation with pin RSTIN permanently pulled HIGH.



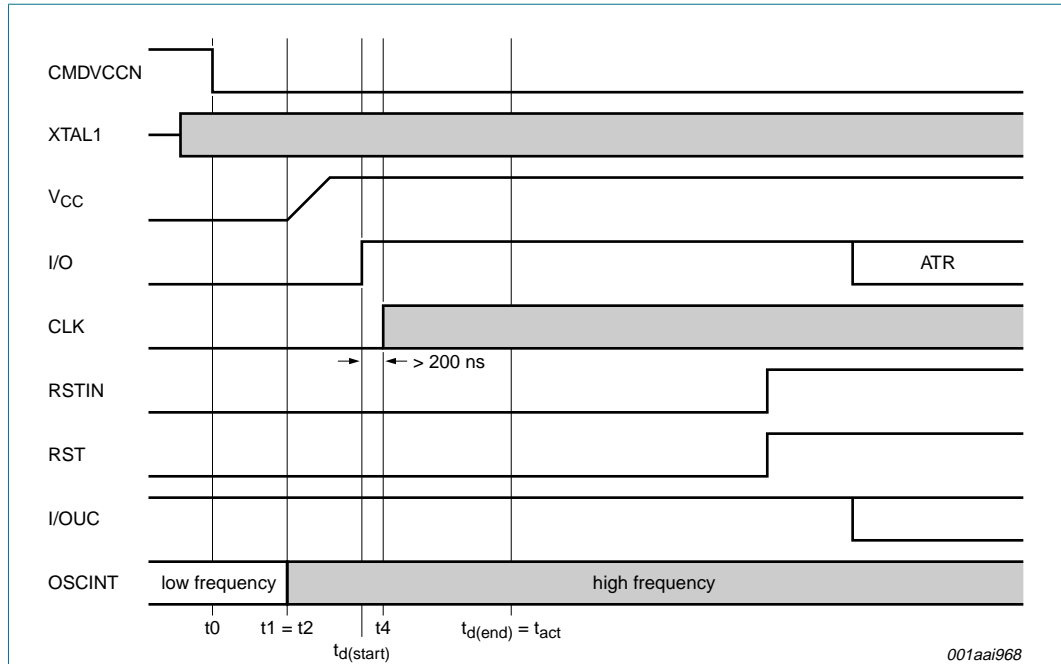


Fig 11. Activation sequence: CLK not controlled by pin RSTIN and with an external clock connected to pin XTAL1

8.7 Active mode

When the activation sequence has finished, the TDA8025 is in active mode. This mode enables data exchange between the card and the microcontroller using the input and output lines.

Depending on the layout and application test conditions, line C2 could become polluted with high frequency noise from line C3. For example, due to an additional 1 pF capacitance between lines C2/C3 and/or lines C2/C7. It is recommended that a 100 pF capacitor is added between line C2 and pin CGND, if this occurs.

When building the application, the following recommendations should be adhered to:

- Keep track C3 as far away as possible from other tracks.
- Keep the connection between pin CGND and line C5 straight. The two capacitors on line C1 should be connected to this ground track.
- Do not use ground loops between CGND and GND.

Following these layout recommendations will ensure that noise remains within the specifications and jitter on line C3 is less than 100 ps.

8.8 Deactivation sequence

When a session is completed, the microcontroller sets pin CMDVCCN to HIGH. The circuit then executes an automatic deactivation sequence by counting the sequencer back to the inactive state (see [Figure 12](#) and [Figure 13](#)):

1. pin RST is pulled LOW (t_{11})
2. the clock is stopped, pin CLK is LOW (t_{12})
3. pins I/O, AUX1 and AUX2 are pulled LOW (t_{13})
4. V_{CC} falls to zero (t_{14}). The deactivation sequence is completed when V_{CC} reaches its inactive state
5. all card contacts become low-impedance to GND. However, pins I/OUC, AUX1UC and AUX2UC remain pulled up to $V_{DD(INTREGD)}$ using the 11 k Ω resistor
6. The internal oscillator returns to its low frequency mode

Calculation of the time delays is as follows:

- $t_{11} = t_{10} + 3T/64$
- $t_{12} = t_{11} + T/2$
- $t_{13} = t_{11} + T$
- $t_{14} = t_{11} + 3T/2$

Remark: The value of period T is 64 times the period interval of the internal oscillator (i.e. $\pm 25 \mu s$).

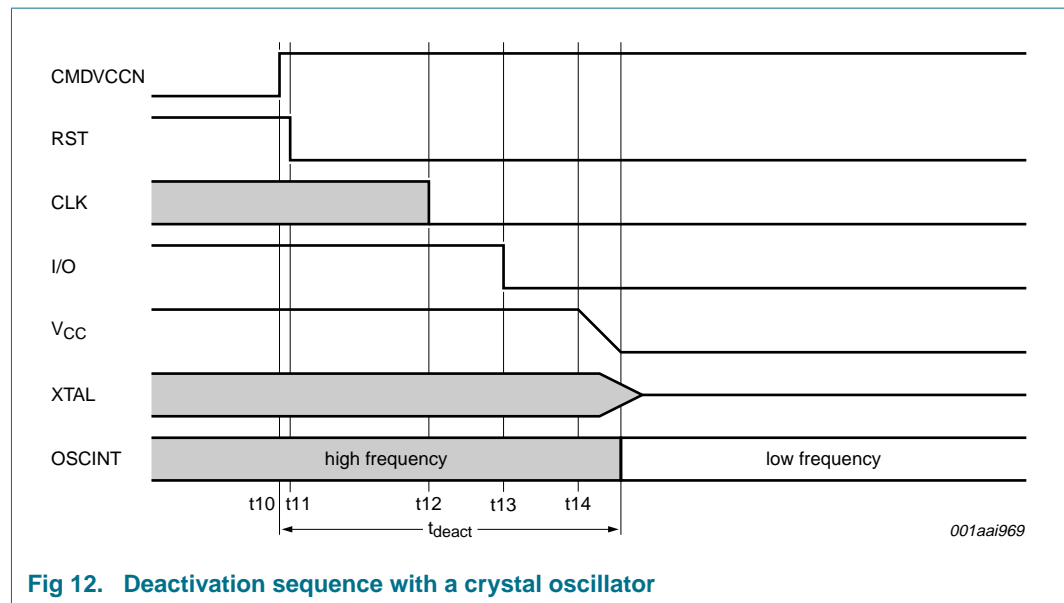


Fig 12. Deactivation sequence with a crystal oscillator

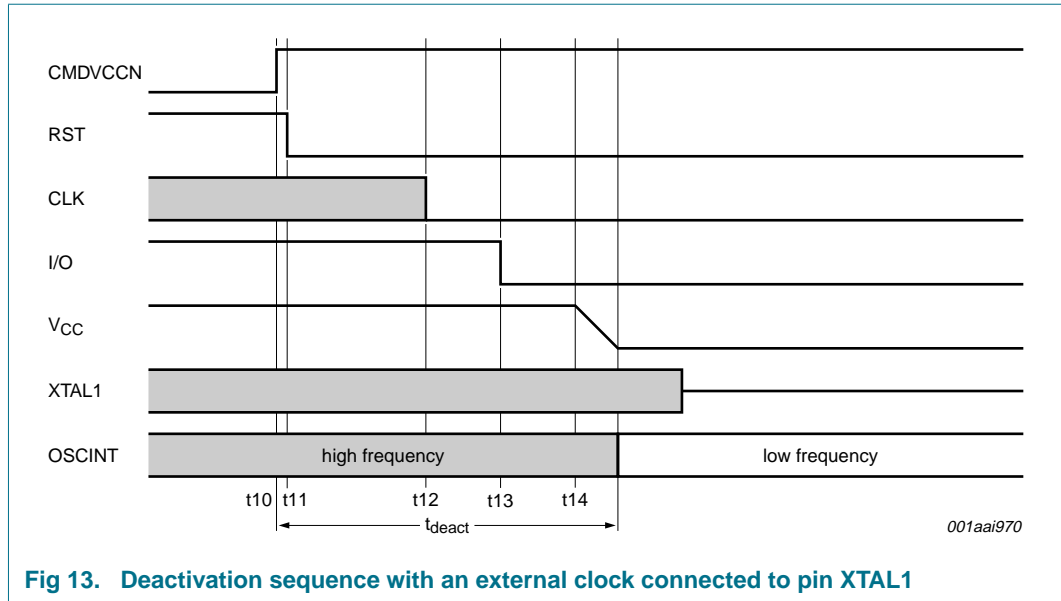


Fig 13. Deactivation sequence with an external clock connected to pin XTAL1

8.9 V_{CC} regulator

Table 5. Selection of V_{CC} using pins VCC_SEL1 and VCC_SEL2

VCC_SEL1	VCC_SEL2	V _{CC}
0	0	3 V
0	1	1.8 V
1	0	1.2 V
1	1	1.2 V

The V_{CC} buffer is able to continuously deliver up to:

- 65 mA at 3 V
- 65 mA at 1.8 V
- 30 mA at 1.2 V

The V_{CC} buffer has an internal overload protection with a threshold value of ±135 mA. This detection is filtered, enabling spurious current pulses up to 200 mA with a duration of up to 200 ns to be drawn by the card without causing deactivation. However, the average current value must be below maximum.

To enhance V_{CC} stability, one 470 nF capacitor should be tied to pin CGND near pin 18 and one 220 nF capacitor should be tied to pin CGND near the C1 contact. Both capacitors should have an ESR < 100 mΩ.

8.10 Fault detection

The following conditions are monitored by the fault detection circuit:

- Short-circuit or high current on pin V_{CC}
- Card removal during transaction
- V_{DD(INTREGD)} falling

- $V_{DD(INTF)}$ falling
- Overheating

Fault detection monitors two different situations (see [Figure 15 on page 21](#)):

1. Outside card sessions, pin CMDVCCN is HIGH: pin OFFN is LOW if the card is not in the reader and HIGH if the card is in the reader. Any supply voltage drop on $V_{DD(INTREGD)}$ or $V_{DD(INTF)}$ is detected by the supply supervisor. This generates an internal power-on reset pulse but does not act upon the pin OFFN signal. The card is not powered-up and as such short-circuits and overheating are not detected.
2. Within card sessions, pin CMDVCCN is LOW: when pin OFFN falls LOW, the fault detection circuit triggers the automatic emergency deactivation sequence (see [Figure 14](#)). When the system controller resets pin CMDVCCN to HIGH, after the deactivation sequence, pin OFFN is rechecked. If the card is still present, pin OFFN returns to HIGH. This check identifies the fault as either a hardware problem or a card removal incident.

On card insertion or removal, bouncing can occur in the PRES and/or PRESN signals. This depends on the type of card presence switch in the connector (normally open or normally closed) and the mechanical characteristics of the switch. To correct for this, a debouncing feature is integrated in to the TDA8025. This feature operates at a typical duration of $640 \times (1/f_{osc(int)low})$. See [Figure 15](#) for an overview of the debouncing feature.

Remark: $f_{osc(int)low}$ is the low frequency (or inactive) mode of the defined $f_{osc(int)}$ parameter.

On card insertion, pin OFFN goes HIGH after the debouncing time has elapsed. When the card is extracted, the automatic card deactivation sequence is performed on the first true or false transition on pin PRESN or pin PRES. After this pin OFFN goes LOW.

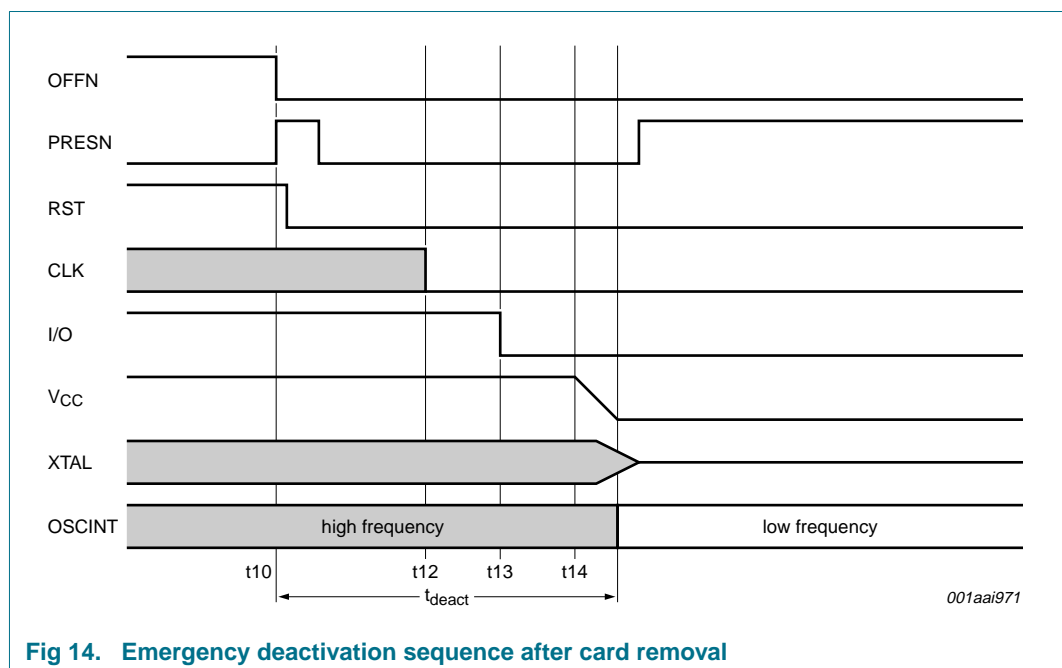
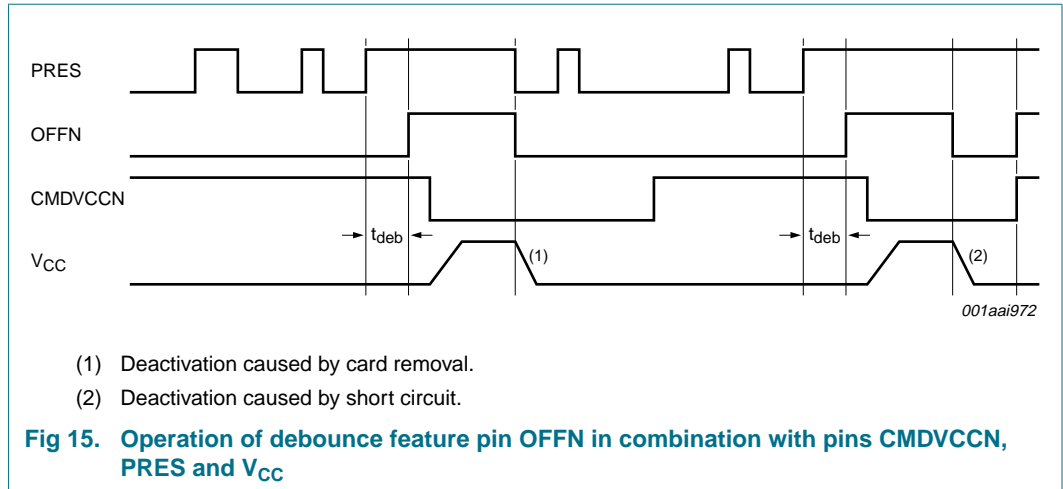


Fig 14. Emergency deactivation sequence after card removal



9. Limiting values

Remark: All card contacts are protected against any short-circuit to any other card contact. Stress beyond the levels indicated in [Table 6](#) can cause permanent damage to the device. This is a short-term stress rating only and under no circumstances implies functional operation under long-term stress conditions.

Table 6. Limiting values

In accordance with the Absolute Maximum Rating System (IEC 60134).

Symbol	Parameter	Conditions	Min	Max	Unit
V _{DDI(REG)}	regulator input supply voltage		-0.3	+5.5	V
V _{DD(INTREGD)}	internal regulated supply voltage		-0.3	+5.5	V
V _I	input voltage	pins CMDVCCN, TEST1, TEST2, CLKDIV2, CLKDIV1, VCC_SEL1, VCC_SEL2, CONFIG, RSTIN, OFFN, TEST3, PORADJ, ENCLKIN, XTAL2, XTAL1, I/OUC, AUX1UC and AUX2UC	-0.3	+5.5	V
		card contact pins PRES, PRESN, I/O, RST, AUX1, AUX2 and CLK	-0.3	+6.5	V
T _{stg}	storage temperature		-55	+150	°C
P _{tot}	total power dissipation	T _{amb} = -25 °C to +85 °C	-	0.56	W
T _j	junction temperature		-	150	°C
T _{amb}	ambient temperature		-25	+85	°C
V _{ESD}	electrostatic discharge voltage	pins I/O, RST, V _{CC} , AUX1, CLK, AUX2, PRES and PRESN; within typical application	-6	+6	kV
		Human Body Model (HBM); all pins; EIA/JESD22-A114-B, June 2000	-2	+2	kV
		Machine Model (MM); all pins; EIA/JESD22-A115-A, October 1997	-200	+200	V
		Charged Device Model (CDM);			
		all pins, except corner pins	-500	+500	V
		only corner pins (1, 8, 9, 16, 17, 24, 25 and 32)	-750	+750	V

10. Thermal characteristics

Table 7. Thermal characteristics

Symbol	Parameter	Conditions	Typ	Unit
R _{th(j-a)}	thermal resistance from junction to ambient	with exposed pad soldered	42	K/W
		without exposed pad soldered	62	K/W

11. Characteristics

Table 8. Characteristics of IC supply voltage

$T_{amb} = 25\text{ }^{\circ}\text{C}$; all parameters remain within limits but are only statistically tested for the temperature range; $f_{xtal} = 10\text{ MHz}$; all currents flowing into the IC are positive; unless otherwise specified. Parameters specified as a function of $V_{DD(INTF)}$, $V_{DDI(REG)}$, $V_{DD(INTREGD)}$ or V_{CC} refer to the actual value at the time of measurement.

Symbol	Parameter	Conditions	Min	Typ	Max	Unit
Supply						
$V_{DDI(REG)}$	regulator input supply voltage	pin CONFIG = ground	3.6	5	5.5	V
		pin CONFIG = $V_{DDI(REG)}$; regulator is bypassed	3	3.3	3.6	V
$V_{DD(INTREGD)}$	internal regulated supply voltage	pin CONFIG = ground	[1] 3	3.3	3.6	V
$V_{DD(INTF)}$	interface supply voltage	pin CONFIG = ground	[2] 1.6	3.0	3.3	V
		pin CONFIG = $V_{DDI(REG)}$ and $V_{DD(INTF)}$ not connected to $V_{DDI(REG)}$ and $V_{DD(INTREGD)}$	1.6	3.0	$V_{DDI(REG)} + 0.3$	V
		pin CONFIG = $V_{DDI(REG)}$ with $V_{DD(INTF)}$ connected to $V_{DDI(REG)}$ and $V_{DD(INTREGD)}$	3	3.3	3.6	V
$I_{DDI(REG)}$	regulator input supply current	inactive mode				
		$V_{DDI(REG)} = 5\text{ V}$ $f_{xtal} = \text{stopped}$	-	-	300	μA
		$V_{DDI(REG)} = 5\text{ V}$ $f_{xtal} = 10\text{ MHz}$; $f_{CLK} = \frac{1}{8} f_{xtal}$	-	-	2.5	mA
		active mode				
		$V_{CC} = 3\text{ V}$; $I_{CC} = 65\text{ mA}$	-	-	85	mA
		$V_{CC} = 1.8\text{ V}$; $I_{CC} = 65\text{ mA}$	-	-	85	mA
$I_{DD(INTF)}$	interface supply current	$V_{CC} = 1.2\text{ V}$; $I_{CC} = 30\text{ mA}$	-	-	50	mA
			-	-	100	μA
V_{th}	threshold voltage	pin $V_{DD(INTREGD)}$; falling	2.60	2.70	2.80	V
		pin $V_{DD(INTREGD)}$; rising	2.65	2.80	2.95	V
		pin PORADJ; falling	1.17	1.24	1.31	V
		pin PORADJ; rising	1.19	1.26	1.33	V
V_{hys}	hysteresis voltage	pin $V_{DD(INTREGD)}$	50	100	150	mV
$t_w(POR)$	power-on reset pulse width		5	8	18	ms
$\Delta V_{th}/\Delta T$	threshold voltage variation with temperature		-	-	0.25	mV/ $^{\circ}\text{C}$

Table 8. Characteristics of IC supply voltage ...continued

$T_{amb} = 25\text{ }^{\circ}\text{C}$; all parameters remain within limits but are only statistically tested for the temperature range; $f_{xtal} = 10\text{ MHz}$; all currents flowing into the IC are positive; unless otherwise specified. Parameters specified as a function of $V_{DD(INTF)}$, $V_{DD(REG)}$, $V_{DD(INTRREGD)}$ or V_{CC} refer to the actual value at the time of measurement.

Symbol	Parameter	Conditions	Min	Typ	Max	Unit
I_L	leakage current	pin PORADJ < 0.5 V	-0.1	+4	+10	μA
		pin PORADJ > 1 V	-1	-	+1	μA
Card supply voltage^[3]						
C_{dec}	decoupling capacitance	connected to V_{CC}	550	-	830	nF
V_{CC}	supply voltage	including ripple				
		inactive mode				
		no load	-0.1	-	+0.1	V
		$I_{CC} = 1\text{ mA}$	-0.1	-	+0.3	V
		active mode				
		3 V card:				
		$I_{CC} < 65\text{ mA DC}$	2.85	3.05	3.15	V
		single current pulse -100 mA; 2 μs	2.76	3.05	3.20	V
		current pulses of 40 nAs at $I_{CC} < 200\text{ mA}$; $t < 400\text{ ns}$	2.76	3.05	3.20	V
		1.8 V card:				
		$I_{CC} < 65\text{ mA DC}$	1.71	1.83	1.89	V
		single current pulse -100 mA; 2 μs	1.66	1.83	1.94	V
		current pulses of 15 nAs with I_{CC} < 200 mA; $t < 400\text{ ns}$	1.66	1.83	1.94	V
		1.2 V card:				
		$I_{CC} < 30\text{ mA DC}$	1.1	1.2	1.3	V
single current pulse -100 mA; 2 μs	1.1	1.2	1.3	V		
current pulses of 15 nAs with I_{CC} < 200 mA; $t < 400\text{ ns}$	1.10	1.2	1.3	V		
$V_{ripple(p-p)}$	peak-to-peak ripple voltage	pin V_{CC} ; 20 kHz to 200 MHz	-	-	350	mV
I_{CC}	supply current	0 V to 3 V	-	-	65	mA
		0 V to 1.8 V	-	-	65	mA
		0 V to 1.2 V	-	-	30	mA
SR	slew rate	up or down	0.02	0.14	0.26	V/ μs
Crystal oscillator: pins XTAL1 and XTAL2						
C_{ext}	external capacitance	pins XTAL1/XTAL2; depending on the crystal or resonator specification	-	-	15	pF

Table 8. Characteristics of IC supply voltage ...continued

$T_{amb} = 25\text{ }^{\circ}\text{C}$; all parameters remain within limits but are only statistically tested for the temperature range; $f_{xtal} = 10\text{ MHz}$; all currents flowing into the IC are positive; unless otherwise specified. Parameters specified as a function of $V_{DD(INTF)}$, $V_{DD(REG)}$, $V_{DD(INTREGD)}$ or V_{CC} refer to the actual value at the time of measurement.

Symbol	Parameter	Conditions	Min	Typ	Max	Unit
f_{xtal}	crystal frequency	card clock reference; crystal oscillator	2	-	26	MHz
f_{ext}	external frequency	external clock on pin XTAL1	0	-	26	MHz
V_{IL}	LOW-level input voltage	pin XTAL1	-0.3	-	+0.3 $V_{DD(INTF)}$	V
V_{IH}	HIGH-level input voltage	pin XTAL1				
		$V_{DD(INTF)} \leq$ $V_{DD(INTREGD)}$	0.7 $V_{DD(INTF)}$	-	$V_{DD(INTF)} + 0.3$	V
		$V_{DD(INTF)} >$ $V_{DD(INTREGD)}$	0.7 $V_{DD(INTF)}$	-	$V_{DD(INTREGD)} + 0.3$	V

Data lines: pins I/O, I/OUC, AUX1, AUX2, AUX1UC and AUX2UC

t_d	delay time	falling edge on pins I/O and I/OUC or vice versa	-	-	200	ns
$t_{w(pu)}$	pull-up pulse width		-	-	100	ns
f_{io}	input/output frequency	on data lines	-	-	1	MHz
C_i	input capacitance	on data lines	-	-	10	pF

Data lines to the card: pins I/O, AUX1 and AUX2[4]

V_o	output voltage	inactive mode				
		no load	0	-	0.1	V
		$I_o = 1\text{ mA}$	-	-	0.3	V
I_o	output current	from data lines when in inactive mode with pins grounded	-	-	-1	mA
V_{OL}	LOW-level output voltage	$I_{OL} = 1\text{ mA}$	0	-	0.3	V
		$I_{OL} \geq 15\text{ mA}$	$V_{CC} - 0.4$	-	V_{CC}	V
V_{OH}	HIGH-level output voltage	no DC load	0.9 V_{CC}	-	$V_{CC} + 0.1$	V
		$I_{OH} < -40\text{ }\mu\text{A}$; 3 V	0.75 V_{CC}	-	$V_{CC} + 0.1$	V
		$I_{OH} < -20\text{ }\mu\text{A}$; 1.8 V or 1.2 V card	0.75 V_{CC}	-	$V_{CC} + 0.1$	V
		current limit $I_{OH} = -15\text{ mA}$	0	-	0.4	V
V_{IL}	LOW-level input voltage	$V_{CC} = +3\text{ V}$	-0.3	-	+0.8	V
		$V_{CC} = +1.8\text{ V}$	-0.3	-	+0.6	V
		$V_{CC} = +1.2\text{ V}$	-0.3	-	+0.4	V
V_{IH}	HIGH-level input voltage		0.6 V_{CC}	-	$V_{CC} + 0.3$	V
V_{hys}	hysteresis voltage	pin I/O	-	350	-	mV
I_{IL}	LOW-level input current	pin I/O; $V_{IL} = 0\text{ V}$	-	-	600	μA

Table 8. Characteristics of IC supply voltage ...continued

$T_{amb} = 25\text{ }^{\circ}\text{C}$; all parameters remain within limits but are only statistically tested for the temperature range; $f_{xtal} = 10\text{ MHz}$; all currents flowing into the IC are positive; unless otherwise specified. Parameters specified as a function of $V_{DD(INTF)}$, $V_{DD(REG)}$, $V_{DD(INTREGD)}$ or V_{CC} refer to the actual value at the time of measurement.

Symbol	Parameter	Conditions	Min	Typ	Max	Unit
I_{IH}	HIGH-level input current	pin I/O; $V_{IH} = V_{CC}$	-	-	10	μA
$t_{r(i)}$	input rise time	V_{IL} maximum to V_{IH} minimum	-	-	1.2	μs
$t_{r(o)}$	output rise time	$C_L \leq 80\text{ pF}$; 10 % to 90 %; 0 V to V_{CC}	-	-	0.1	μs
$t_{f(i)}$	input fall time	V_{IL} maximum to V_{IH} minimum	-	-	1.2	μs
$t_{f(o)}$	output fall time	$C_L \leq 80\text{ pF}$; 10 % to 90 %; 0 V to V_{CC}	-	-	0.1	μs
R_{pu}	pull-up resistance	between I/O and V_{CC}	8	11	13	$\text{k}\Omega$
I_{OH}	HIGH-level output current	pin I/O when active pull-up; $V_{OH} = 0.9V_{CC}$; $C = 80\text{ pF}$	-8	-6	-4	mA

Data lines to the system: pins I/OUC, AUX1UC and AUX2UC[5]

V_{OL}	LOW-level output voltage	$I_{OL} = 1\text{ mA}$	0	-	0.3	V
V_{OH}	HIGH-level output voltage	no DC load	$0.9V_{DD(INTF)}$	-	$V_{DD(INTF)} + 0.1$	V
		$I_{OH} \leq 40\text{ }\mu\text{A}$; $V_{DD(INTF)} > 2\text{ V}$	$0.75V_{DD(INTF)}$	-	$V_{DD(INTF)} + 0.1$	V
		$I_{OH} \leq 20\text{ }\mu\text{A}$; $V_{DD(INTF)} < 2\text{ V}$	$0.75V_{DD(INTF)}$	-	$V_{DD(INTF)} + 0.1$	V
V_{IL}	LOW-level input voltage		-0.3	-	$+0.3V_{DD(INTF)}$	V
V_{IH}	HIGH-level input voltage		$0.7V_{DD(INTF)}$	-	$V_{DD(INTF)} + 0.3$	V
V_{hys}	hysteresis voltage	pin I/OUC	-	$0.19V_{DD(INTF)}$	-	V
I_{IH}	HIGH-level input current	pin I/OUC; $V_{IH} = V_{DD(INTF)}$	-	-	10	μA
I_{IL}	LOW-level input current	pin I/OUC; $V_{IL} = 0\text{ V}$	-	-	600	μA
R_{pu}	pull-up resistance	between I/OUC and $V_{DD(INTF)}$	8	11	13	$\text{k}\Omega$
$t_{r(i)}$	input rise time	V_{IL} maximum to V_{IH} minimum	-	-	1.2	μs
$t_{r(o)}$	output rise time	$C_L \leq 80\text{ pF}$; 10 % to 90 %; 0 V to V_{CC}	-	-	0.1	μs
$t_{f(i)}$	input fall time	V_{IL} maximum to V_{IH} minimum	-	-	1.2	μs
$t_{f(o)}$	output fall time	$C_L \leq 80\text{ pF}$; 10 % to 90 %; 0 V to V_{CC}	-	-	0.1	μs

Table 8. Characteristics of IC supply voltage ...continued

$T_{amb} = 25\text{ }^{\circ}\text{C}$; all parameters remain within limits but are only statistically tested for the temperature range; $f_{xtal} = 10\text{ MHz}$; all currents flowing into the IC are positive; unless otherwise specified. Parameters specified as a function of $V_{DD(INTF)}$, $V_{DD(REG)}$, $V_{DD(INTREGD)}$ or V_{CC} refer to the actual value at the time of measurement.

Symbol	Parameter	Conditions	Min	Typ	Max	Unit
I_{OH}	HIGH-level output current	pin I/OUC when active pull-up; $V_{OH} = 0.9V_{DD}$; $C = 30\text{ pF}$	-1	-	-	mA
Internal oscillator						
$f_{osc(int)}$	internal oscillator frequency	inactive mode	55	140	200	kHz
		active mode	1.9	2.7	3.2	MHz
Reset output to the card: pin RST						
V_o	output voltage	inactive mode				
		no load	0	-	0.1	V
		$I_o = 1\text{ mA}$	-	-	0.3	V
I_o	output current	when inactive and pin RST grounded	0	-	-1	mA
t_d	delay time	between pins RSTIN and RST; RST enabled	-	-	2	μs
V_{OL}	LOW-level output voltage	$I_{OL} = 200\text{ }\mu\text{A}$	0	-	0.2	V
		current limit $I_{OL} = 20\text{ mA}$	$V_{CC} - 0.4$	-	V_{CC}	V
V_{OH}	HIGH-level output voltage	$I_{OH} = -200\text{ }\mu\text{A}$	$0.9V_{CC}$	-	V_{CC}	V
		current limit $I_{OH} = -20\text{ mA}$	0	-	0.4	V
t_r	rise time	$C_L = 100\text{ pF}$; $V_{CC} = 3\text{ V}, 1.8\text{ V}$ or 1.2 V	[6] -	-	0.1	μs
t_f	fall time	$C_L = 100\text{ pF}$; $V_{CC} = 3\text{ V}, 1.8\text{ V}$ or 1.2 V	[6] -	-	0.1	μs
Clock output to the card: pin CLK						
V_o	output voltage	inactive mode				
		no load	0	-	0.1	V
		$I_o = 1\text{ mA}$	-	-	0.3	V
I_o	output current	pin CLK when inactive and grounded	0	-	-1	mA
V_{OL}	LOW-level output voltage	$I_{OL} = 200\text{ }\mu\text{A}$	0	-	0.3	V
		current limit $I_{OL} = 70\text{ mA}$	$V_{CC} - 0.4$	-	V_{CC}	V
V_{OH}	HIGH-level output voltage	$I_{OH} = -200\text{ }\mu\text{A}$	$0.9V_{CC}$	-	V_{CC}	V
		current limit $I_{OH} = -70\text{ mA}$	0	-	0.4	V
t_r	rise time	$C_L = 30\text{ pF}$	[6] -	-	16	ns
t_f	fall time	$C_L = 30\text{ pF}$	[6] -	-	16	ns
δ	duty cycle	except for f_{xtal} ; $C_L = 30\text{ pF}$	[6] 45	-	55	%
SR	slew rate	rise and fall; $C_L = 30\text{ pF}$; $V_{CC} = 3\text{ V}$ or 1.8 V	0.2	-	-	V/ns
		$C_L = 30\text{ pF}$; $V_{CC} = 1.2\text{ V}$	0.1	-	-	V/ns

Table 8. Characteristics of IC supply voltage ...continued

$T_{amb} = 25\text{ }^{\circ}\text{C}$; all parameters remain within limits but are only statistically tested for the temperature range; $f_{xtal} = 10\text{ MHz}$; all currents flowing into the IC are positive; unless otherwise specified. Parameters specified as a function of $V_{DD(INTF)}$, $V_{DD(REG)}$, $V_{DD(INTREGD)}$ or V_{CC} refer to the actual value at the time of measurement.

Symbol	Parameter	Conditions	Min	Typ	Max	Unit
Control inputs: pins CLKDIV1, CLKDIV2, CMDVCCN, RSTIN, VCC_SEL2, VCC_SEL1 and ENCLKIN^[7]						
V_{IL}	LOW-level input voltage		-0.3	-	+0.3 $V_{DD(INTF)}$	V
V_{IH}	HIGH-level input voltage		0.7 $V_{DD(INTF)}$	-	$V_{DD(INTF)} + 0.3$	V
V_{hys}	hysteresis voltage	control inputs	-	0.14 $V_{DD(INTF)}$	-	V
I_{IL}	LOW-level input current	$V_{IL} = 0\text{ V}$	-	-	1	μA
I_{IH}	HIGH-level input current	$V_{IH} = V_{DD(INTF)}$	-	-	1	μA
Control inputs CMDVCCN and CONFIG^[7]						
$f_{CMDVCCN}$	frequency on pin CMDVCCN		-	-	150	kHz
V_{IL}	LOW-level input voltage		-0.3	-	+0.3 $V_{DD(INTF)}$	V
V_{IH}	HIGH-level input voltage		0.7 $V_{DD(INTREGD)}$	-	$V_{DD(INTREGD)} + 0.3$	V
V_{hys}	hysteresis voltage	pin CONFIG	-	0.14 $V_{DD(INTF)}$	-	V
I_{IL}	LOW-level input current	$V_{IL} = 0\text{ V}$	-	-	1	μA
I_{IH}	HIGH-level input current	$V_{IH} = V_{DD(INTREGD)}$	-	-	1	μA
Card detection inputs: pins PRES and PRESN^{[7][8][9]}						
V_{IL}	LOW-level input voltage		-0.3	-	+0.3 $V_{DD(INTREGD)}$	V
V_{IH}	HIGH-level input voltage		0.7 $V_{DD(INTREGD)}$	-	$V_{DD(INTREGD)} + 0.3$	V
V_{hys}	hysteresis voltage	pins PRES and PRESN	-	0.17 $V_{DD(INTREGD)}$	-	V
I_{IL}	LOW-level input current	$V_{IL} = 0\text{ V}$	-	-	5	μA
I_{IH}	HIGH-level input current	$V_{IH} = V_{DD(INTREGD)}$	-	-	5	μA
OFFN output^[10]: pin OFFN						
V_{OL}	LOW-level output voltage	$I_{OL} = 2\text{ mA}$	0	-	0.3	V
V_{OH}	HIGH-level output voltage	$I_{OH} = -15\text{ }\mu\text{A}$	0.75 $V_{DD(INTF)}$	-	-	V
R_{pu}	pull-up resistance	to V_{DD}	16	20	24	k Ω

[1] Two decoupling capacitors connected in parallel to $V_{DD(INTREGD)}$ rated at 100 nF and 1 μF .

- [2] To enable the microcontroller to provide the required maximum voltage input level on XTAL1, $V_{DD(INTF)}$ must not exceed $V_{DD(INTREGD)} + 0.3$ V. See [Section 8.1 on page 7](#) for specific limitations on the maximum $V_{DD(INTF)}$ voltage and [Table 8 on page 23](#) for the limits of XTAL1.
- [3] To meet these specifications, V_{CC} should be decoupled to pin CGND using two low ESR, ceramic multilayer capacitors one of 470 nF and one of 220 nF with an ESR of < 100 mΩ.
- [4] Using the internal pull-up resistor to V_{CC} .
- [5] Using the internal pull-up resistor to $V_{DD(INTF)}$.
- [6] The transition time and the duty factor definitions are shown in [Figure 16 on page 30](#); $\delta = t1/(t1 + t2)$.
- [7] Pins PRESN and CMDVCCN are active LOW. Pins RSTIN and PRES are active HIGH; see [Table 4 on page 12](#) for pins CLKDIV1 and CLKDIV2; see [Table 5 on page 19](#) for pins VCC_SEL1 and VCC_SEL2.
- [8] If PRESN or PRES is true, the card is considered to be present. A debouncing feature of 4.5 ms typical is built-in.
- [9] Pin PRES has an integrated current source to pin GND, pin PRES to $V_{DD(INTREGD)}$; the card is considered as present if at least one of the two inputs is true.
- [10] Pin OFFN is an NMOS drain, using an internal pull-up resistor to $V_{DD(INTREGD)}$.

Table 9. Protection characteristics

Symbol	Parameter	Conditions	Min	Typ	Max	Unit
I_{CC}	supply current	shutdown current on pin V_{CC}	95	135	185	mA
		pin V_{CC}	135	175	225	mA
		pin CLK	-70	-	+70	mA
		pin RST	-20	-	+20	mA
I_{IO}	input/output current	pins I/O, AUX1 and AUX2	-15	-	+15	mA
T_{sd}	shutdown temperature		-	150	-	°C

Table 10. Timing characteristics

Symbol	Parameter	Conditions	Min	Typ	Max	Unit
t_{act}	activation time	total sequence with the crystal oscillator	[1] 35	-	3000	μs
		external clock	[2] 35	-	240	μs
t_{deact}	deactivation time	total sequence	[3] 35	80	100	μs
t_d	delay time	CLK sent to a card with the crystal oscillator				
		$t_{d(start)} = t3$	[1] 35	-	3000	μs
		$t_{d(end)} = t5$	[1] 160	-	3090	μs
		CLK sent to card using an external clock				
		$t_{d(start)} = t3$	[2] 35	-	150	μs
		$t_{d(end)} = t5$	[2] 160	-	240	μs
t_{deb}	debounce time	on pins PRES and PRESN	[4] 3.2	4.5	12	ms

- [1] See [Figure 8 on page 15](#).
- [2] See [Figure 10 on page 16](#).
- [3] See [Figure 12 on page 18](#).
- [4] See [Figure 15 on page 21](#).

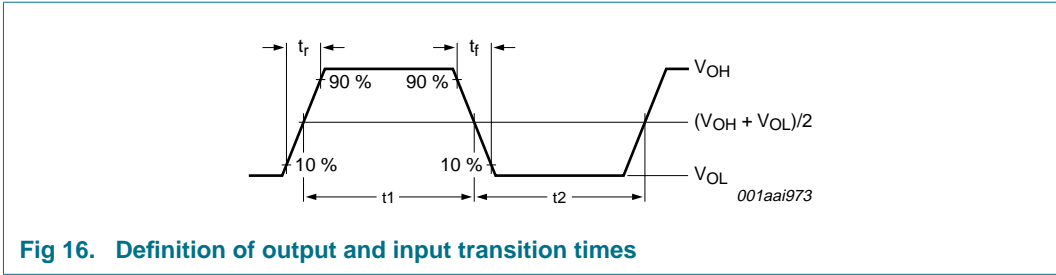
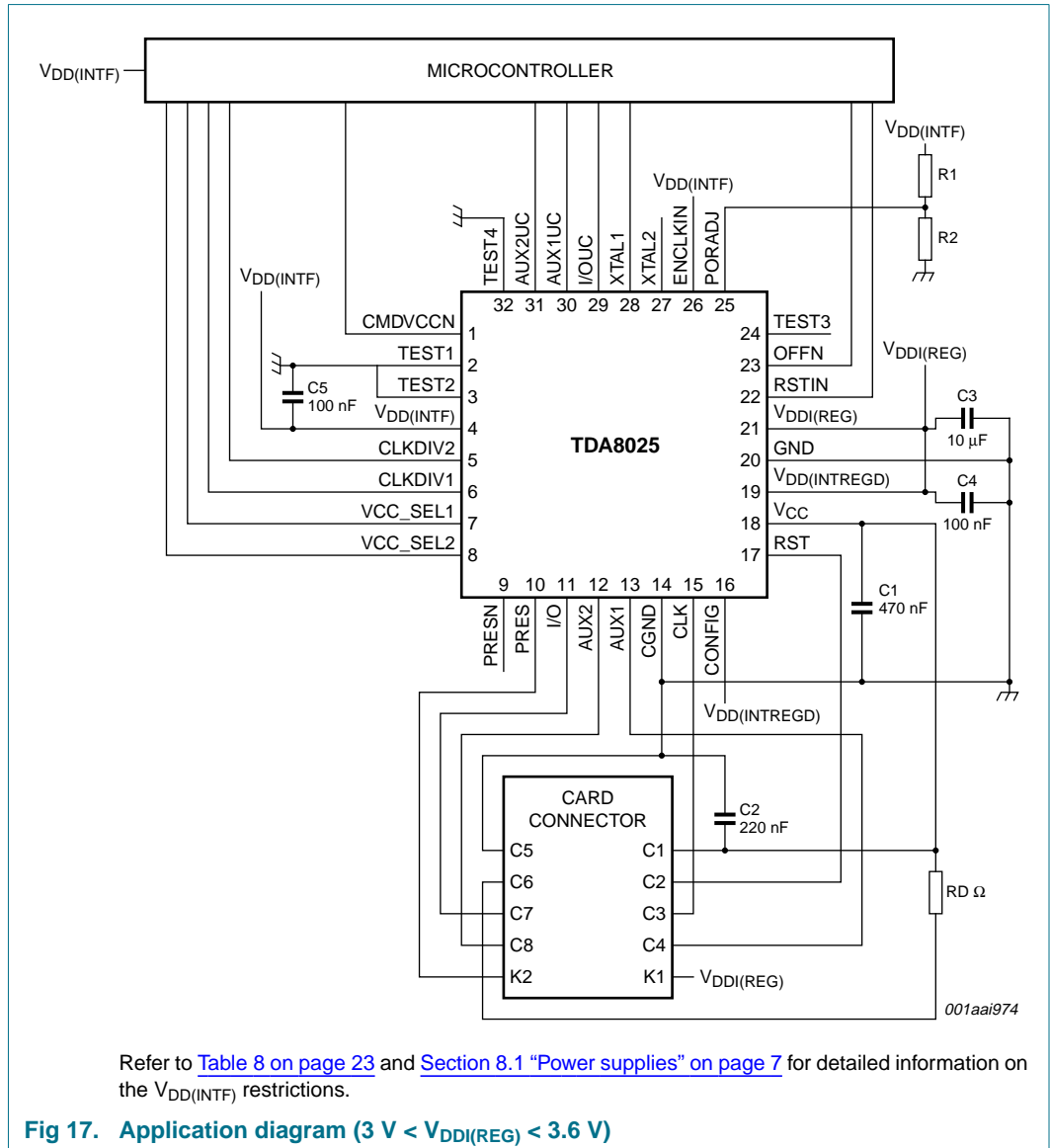
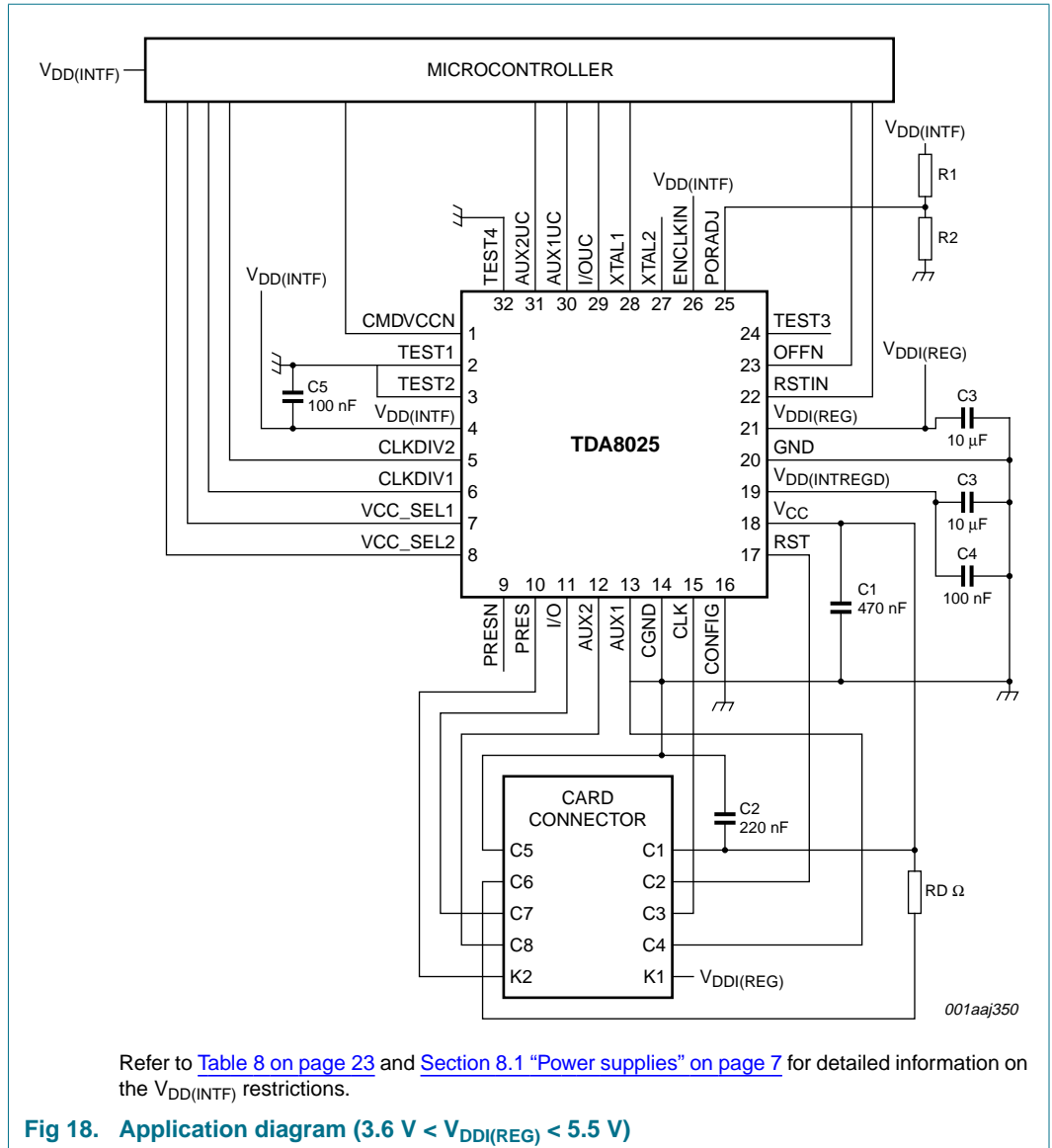


Fig 16. Definition of output and input transition times

12. Application information

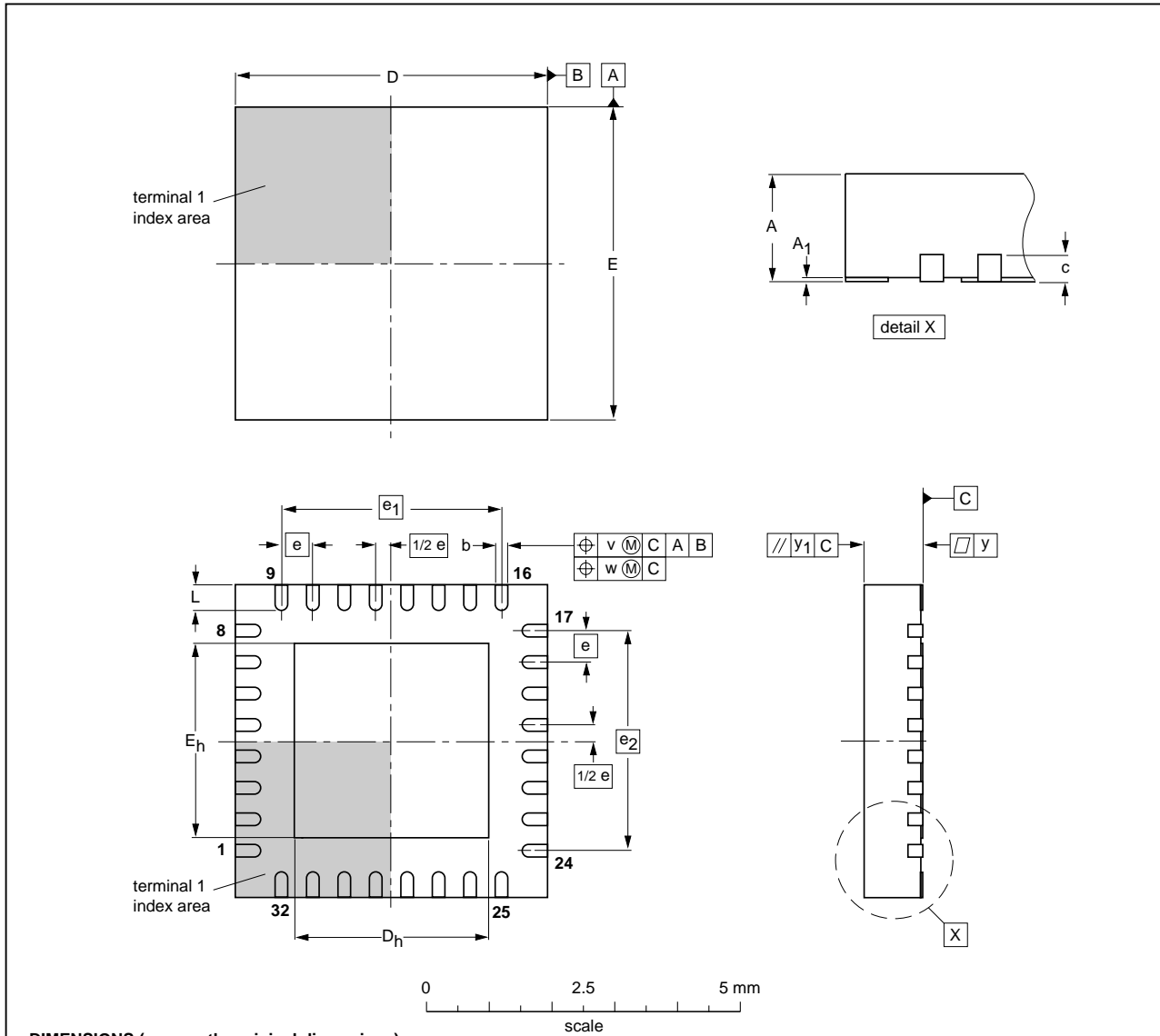




13. Package outline

HVQFN32: plastic thermal enhanced very thin quad flat package; no leads; 32 terminals; body 5 x 5 x 0.85 mm

SOT617-1



DIMENSIONS (mm are the original dimensions)

UNIT	A ⁽¹⁾ max.	A ₁	b	c	D ⁽¹⁾	D _h	E ⁽¹⁾	E _h	e	e ₁	e ₂	L	v	w	y	y ₁
mm	1	0.05 0.00	0.30 0.18	0.2	5.1 4.9	3.25 2.95	5.1 4.9	3.25 2.95	0.5	3.5	3.5	0.5 0.3	0.1	0.05	0.05	0.1

Note

1. Plastic or metal protrusions of 0.075 mm maximum per side are not included.

OUTLINE VERSION	REFERENCES				EUROPEAN PROJECTION	ISSUE DATE
	IEC	JEDEC	JEITA			
SOT617-1	---	MO-220	---			01-08-08 02-10-18

Fig 19. Package outline SOT617-1

14. Soldering of SMD packages

This text provides a very brief insight into a complex technology. A more in-depth account of soldering ICs can be found in Application Note *AN10365 "Surface mount reflow soldering description"*.

14.1 Introduction to soldering

Soldering is one of the most common methods through which packages are attached to Printed Circuit Boards (PCBs), to form electrical circuits. The soldered joint provides both the mechanical and the electrical connection. There is no single soldering method that is ideal for all IC packages. Wave soldering is often preferred when through-hole and Surface Mount Devices (SMDs) are mixed on one printed wiring board; however, it is not suitable for fine pitch SMDs. Reflow soldering is ideal for the small pitches and high densities that come with increased miniaturization.

14.2 Wave and reflow soldering

Wave soldering is a joining technology in which the joints are made by solder coming from a standing wave of liquid solder. The wave soldering process is suitable for the following:

- Through-hole components
- Leaded or leadless SMDs, which are glued to the surface of the printed circuit board

Not all SMDs can be wave soldered. Packages with solder balls, and some leadless packages which have solder lands underneath the body, cannot be wave soldered. Also, leaded SMDs with leads having a pitch smaller than ~0.6 mm cannot be wave soldered, due to an increased probability of bridging.

The reflow soldering process involves applying solder paste to a board, followed by component placement and exposure to a temperature profile. Leaded packages, packages with solder balls, and leadless packages are all reflow solderable.

Key characteristics in both wave and reflow soldering are:

- Board specifications, including the board finish, solder masks and vias
- Package footprints, including solder thieves and orientation
- The moisture sensitivity level of the packages
- Package placement
- Inspection and repair
- Lead-free soldering versus SnPb soldering

14.3 Wave soldering

Key characteristics in wave soldering are:

- Process issues, such as application of adhesive and flux, clinching of leads, board transport, the solder wave parameters, and the time during which components are exposed to the wave
- Solder bath specifications, including temperature and impurities

14.4 Reflow soldering

Key characteristics in reflow soldering are:

- Lead-free versus SnPb soldering; note that a lead-free reflow process usually leads to higher minimum peak temperatures (see [Figure 20](#)) than a SnPb process, thus reducing the process window
- Solder paste printing issues including smearing, release, and adjusting the process window for a mix of large and small components on one board
- Reflow temperature profile; this profile includes preheat, reflow (in which the board is heated to the peak temperature) and cooling down. It is imperative that the peak temperature is high enough for the solder to make reliable solder joints (a solder paste characteristic). In addition, the peak temperature must be low enough that the packages and/or boards are not damaged. The peak temperature of the package depends on package thickness and volume and is classified in accordance with [Table 11](#) and [12](#)

Table 11. SnPb eutectic process (from J-STD-020C)

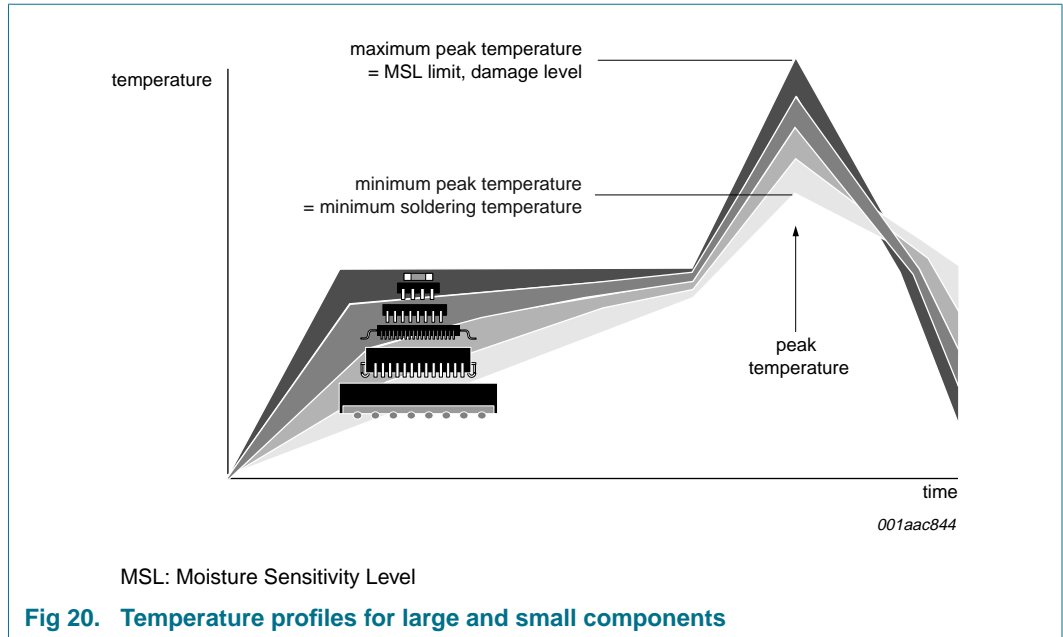
Package thickness (mm)	Package reflow temperature (°C)	
	Volume (mm ³)	
	< 350	≥ 350
< 2.5	235	220
≥ 2.5	220	220

Table 12. Lead-free process (from J-STD-020C)

Package thickness (mm)	Package reflow temperature (°C)		
	Volume (mm ³)		
	< 350	350 to 2000	> 2000
< 1.6	260	260	260
1.6 to 2.5	260	250	245
> 2.5	250	245	245

Moisture sensitivity precautions, as indicated on the packing, must be respected at all times.

Studies have shown that small packages reach higher temperatures during reflow soldering, see [Figure 20](#).



For further information on temperature profiles, refer to Application Note AN10365 “Surface mount reflow soldering description”.

15. Abbreviations

Table 13. Abbreviations

Acronym	Description
ATR	Answer To Request
ESD	ElectroStatic Discharge
ESR	Equivalent Series Resistance
NMOS	Negative-channel Metal-Oxide Semiconductor
POR	Power-On Reset
PMOS	Positive-channel Metal-Oxide Semiconductor

16. Revision history

Table 14. Revision history

Document ID	Release date	Data sheet status	Change notice	Supersedes
TDA8025_1	20090406	Product data sheet	-	-

17. Legal information

17.1 Data sheet status

Document status ^{[1][2]}	Product status ^[3]	Definition
Objective [short] data sheet	Development	This document contains data from the objective specification for product development.
Preliminary [short] data sheet	Qualification	This document contains data from the preliminary specification.
Product [short] data sheet	Production	This document contains the product specification.

[1] Please consult the most recently issued document before initiating or completing a design.

[2] The term 'short data sheet' is explained in section "Definitions".

[3] The product status of device(s) described in this document may have changed since this document was published and may differ in case of multiple devices. The latest product status information is available on the Internet at URL <http://www.nxp.com>.

17.2 Definitions

Draft — The document is a draft version only. The content is still under internal review and subject to formal approval, which may result in modifications or additions. NXP Semiconductors does not give any representations or warranties as to the accuracy or completeness of information included herein and shall have no liability for the consequences of use of such information.

Short data sheet — A short data sheet is an extract from a full data sheet with the same product type number(s) and title. A short data sheet is intended for quick reference only and should not be relied upon to contain detailed and full information. For detailed and full information see the relevant full data sheet, which is available on request via the local NXP Semiconductors sales office. In case of any inconsistency or conflict with the short data sheet, the full data sheet shall prevail.

17.3 Disclaimers

General — Information in this document is believed to be accurate and reliable. However, NXP Semiconductors does not give any representations or warranties, expressed or implied, as to the accuracy or completeness of such information and shall have no liability for the consequences of use of such information.

Right to make changes — NXP Semiconductors reserves the right to make changes to information published in this document, including without limitation specifications and product descriptions, at any time and without notice. This document supersedes and replaces all information supplied prior to the publication hereof.

Suitability for use — NXP Semiconductors products are not designed, authorized or warranted to be suitable for use in medical, military, aircraft, space or life support equipment, nor in applications where failure or malfunction of an NXP Semiconductors product can reasonably be expected to result in personal injury, death or severe property or environmental

damage. NXP Semiconductors accepts no liability for inclusion and/or use of NXP Semiconductors products in such equipment or applications and therefore such inclusion and/or use is at the customer's own risk.

Applications — Applications that are described herein for any of these products are for illustrative purposes only. NXP Semiconductors makes no representation or warranty that such applications will be suitable for the specified use without further testing or modification.

Limiting values — Stress above one or more limiting values (as defined in the Absolute Maximum Ratings System of IEC 60134) may cause permanent damage to the device. Limiting values are stress ratings only and operation of the device at these or any other conditions above those given in the Characteristics sections of this document is not implied. Exposure to limiting values for extended periods may affect device reliability.

Terms and conditions of sale — NXP Semiconductors products are sold subject to the general terms and conditions of commercial sale, as published at <http://www.nxp.com/profile/terms>, including those pertaining to warranty, intellectual property rights infringement and limitation of liability, unless explicitly otherwise agreed to in writing by NXP Semiconductors. In case of any inconsistency or conflict between information in this document and such terms and conditions, the latter will prevail.

No offer to sell or license — Nothing in this document may be interpreted or construed as an offer to sell products that is open for acceptance or the grant, conveyance or implication of any license under any copyrights, patents or other industrial or intellectual property rights.

Quick reference data — The Quick reference data is an extract of the product data given in the Limiting values and Characteristics sections of this document, and as such is not complete, exhaustive or legally binding.

Export control — This document as well as the item(s) described herein may be subject to export control regulations. Export might require a prior authorization from national authorities.

17.4 Trademarks

Notice: All referenced brands, product names, service names and trademarks are the property of their respective owners.

18. Contact information

For more information, please visit: <http://www.nxp.com>

For sales office addresses, please send an email to: salesaddresses@nxp.com

19. Contents

1	General description	1	19	Contents	38
2	Features	1			
3	Applications	1			
4	Quick reference data	2			
5	Ordering information	3			
6	Block diagram	4			
7	Pinning information	5			
7.1	Pinning	5			
7.2	Pin description	5			
8	Functional description	7			
8.1	Power supplies	7			
8.2	Voltage supervisors	8			
8.2.1	Block diagram	8			
8.2.2	Description	8			
8.2.3	V _{DD(INTREGD)} voltage supervisor with pin PORADJ connected to V _{DD(INTF)}	9			
8.2.4	V _{DD(INTF)} voltage supervisor with external divider on pin PORADJ	9			
8.2.4.1	R1 and R2 resistor value calculation	9			
8.3	Clock circuits	11			
8.4	Input and output circuits	13			
8.5	Inactive mode	13			
8.6	Activation sequence	14			
8.7	Active mode	17			
8.8	Deactivation sequence	18			
8.9	V _{CC} regulator	19			
8.10	Fault detection	19			
9	Limiting values	22			
10	Thermal characteristics	22			
11	Characteristics	23			
12	Application information	31			
13	Package outline	33			
14	Soldering of SMD packages	34			
14.1	Introduction to soldering	34			
14.2	Wave and reflow soldering	34			
14.3	Wave soldering	34			
14.4	Reflow soldering	35			
15	Abbreviations	36			
16	Revision history	36			
17	Legal information	37			
17.1	Data sheet status	37			
17.2	Definitions	37			
17.3	Disclaimers	37			
17.4	Trademarks	37			
18	Contact information	37			

Please be aware that important notices concerning this document and the product(s) described herein, have been included in section 'Legal information'.



© NXP B.V. 2009.

All rights reserved.

For more information, please visit: <http://www.nxp.com>
For sales office addresses, please send an email to: salesaddresses@nxp.com

Date of release: 6 April 2009
Document identifier: TDA8025_1