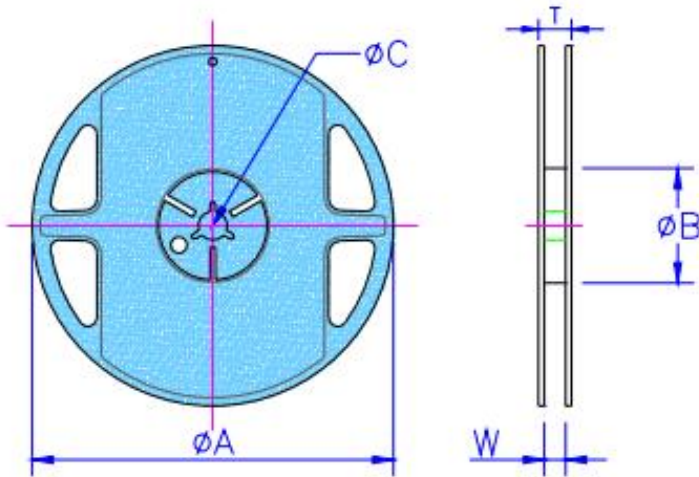


Professionally approved products.

Datasheet

RS Thick Film Surface Mount Resistor 0603 Case 1k Ω $\pm 1\%$ 0.1W $\pm 100\text{ppm}/^\circ\text{C}$

RS Stock number [804-8845](#)



Unit: mm

Type	Packaging Quantity	Tape Width	Reel Diameter	ΦA	ΦB	ΦC	W	T
RS-0201 RS-0402	Paper	8mm	7 inch	178.5 \pm 1.5	60 ^{+1/-0}	13.0 \pm 0.2	9.0 \pm 0.5	12.5 \pm 0.5
			10 inch	254 \pm 1	100 \pm 0.5	13.0 \pm 0.2	9.5 \pm 0.5	13.5 \pm 0.5
RS-0603 RS-0805 RS-1206			13 inch	330 \pm 1	100 \pm 0.5	13.0 \pm 0.2	9.5 \pm 0.5	13.5 \pm 0.5