



Indoor Load Center

Catalog Number **PT4260X3225**

Enclosure **Type 1**

Use With Enclosure: 3PE42

Use With Interior: PI4260L3225CU

RATINGS: 225A MAXIMUM - SEE MAIN BREAKER RATING.
BACK-FED BREAKER REQUIRES HOLD-DOWN KIT ECMBR3.
240/120 V ~, 3Ø 4W DELTA ; 208Y/120 V ~, 3Ø 4W ; 240 V ~, 3Ø 3W

WHEN USED ON A 240/120 V ~, 3 PHASE, 4 WIRE DELTA SYSTEM, THE CENTER BUS MUST BE CONNECTED TO THE PHASE HAVING THE HIGHEST VOLTAGE TO GROUND. ALL BREAKERS CONNECTED TO THIS BUS MUST BE RATED 240 V ~. WHEN USED ON A 240 V ~, 3 PHASE, 3 WIRE SYSTEM, ALL BREAKERS MUST BE RATED 240 V ~.

FOR INSTALLATION BY A QUALIFIED PERSON IN ACCORDANCE WITH ALL LOCAL ELECTRICAL CODES AND/OR THE NATIONAL ELECTRICAL CODE @.

SUITABLE FOR USE AS SERVICE EQUIPMENT WHEN MAIN BREAKER IS INSTALLED

WHEN USED AS SERVICE EQUIPMENT, APPLY "SERVICE DISCONNECT" LABEL TO FRONT NEXT TO MAIN BREAKER HANDLE.

WHEN USED AS SERVICE EQUIPMENT, UNUSED NEUTRAL BAR TERMINALS MAY BE USED TO TERMINATE EQUIPMENT GROUNDING WIRES IN THE COMBINATIONS INDICATED FOR EQUIPMENT GROUND BAR TERMINALS.

WHEN THE NEUTRAL TIE STRAP IS REMOVED, THE LEFT NEUTRAL BAR WILL BECOME THE EQPT. GROUND. INSTALL LUG KIT ECLKB1 ON MAIN LUG DEVICES. ON MAIN BREAKER DEVICES, MOVE GREEN BONDING SCREW TO LEFT BAR.

SUM OF QT BREAKER RATING IS NOT TO EXCEED 110 AMPS PER BRANCH CIRCUIT BUS STAB.

TO RESET BREAKERS WITH TRIPPED HANDLE POSITION BETWEEN "ON" AND "OFF", MOVE HANDLE TO "OFF" THEN TO "ON".

REMOVE TWISTOUTS FROM TRIM ONLY WHERE BREAKERS WILL BE INSTALLED. ALL OPENINGS MUST BE FILLED WITH BREAKERS OR FILLER PLATES.

THIS LOAD CENTER IS INVERTIBLE FOR BOTTOM FEED APPLICATIONS.

Siemens Industry, Inc. Norcross, Georgia U.S.A. **J2** 40901421 0101 Rev.00

IMPORTANT: DO NOT ALLOW PETROLEUM BASED (HYDROCARBON) SPRAYS, CHEMICALS, SOLVENTS OR ANY PAINT TO CONTACT INTERIOR COMPONENTS. PETROLEUM BASED CHEMICALS CAN CAUSE DEGRADATION OF ELECTRICAL INSULATING MATERIALS.

⚠ DANGER

Hazardous Voltage.
Will cause death, serious injury or substantial property damage.

Turn off power supplying this equipment before working inside.



⚠ PELIGRO

Voltaje peligroso. Causará la muerte, lesiones graves o daño substancial a la propiedad.

Desconecte el suministro de energía a este equipo antes de trabajar en su interior.

USE COPPER OR ALUMINUM 60°/75°C WIRE

SEE BREAKER MARKINGS FOR WIRE SIZE AND TORQUE REQUIREMENTS. SERVICE CONDUCTORS FED THROUGH OPPOSITE ENDWALL OF MAIN TERMINALS ARE RESTRICTED TO 4/0 AWG MAX.

TERMINALS	WIRE	TORQUE
A, B, C, N	300 kcmil - 4 AWG	275 LB-INS
MAIN BREAKER	4/0 AWG CU 300 kcmil AL Max.	See Breaker
G	2/0 - 6 AWG	110 LB-INS
NEUTRAL/GROUND BARS (USE TYPE EC3GB GROUND BAR KIT ACCESSORY)	10-14 CU/10-12 AL 8 AWG 6-4 AWG	20 LB-INS 25 LB-INS 35 LB-INS
GROUND CONDUCTORS ONLY	(2)or(3) 14 AWG (2) 12-10 AWG	20 LB-INS 20 LB-INS
ECLK1-2 NEUTRAL LUG KIT	2/0 - 4 AWG	45 LB-INS
ECLK2 NEUTRAL LUG KIT	2/0 - 4 AWG	135 LB-INS
ECLK3 NEUTRAL LUG KIT	300 kcmil - 1 AWG	340 LB-INS
MAIN LUG/MAIN BRKR TO BUS CONNECTION (1/4-20 NUT)		45 LB-INS
BONDING SCREW		45 LB-INS

MAIN BREAKER KITS

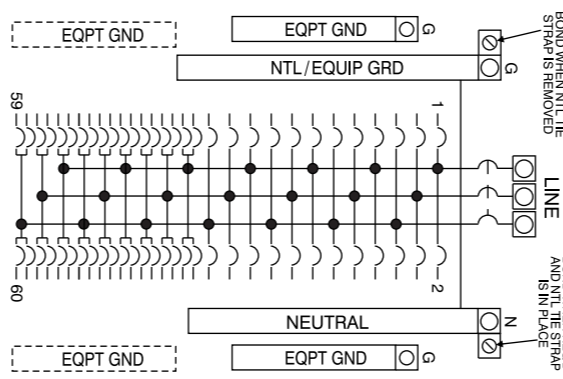
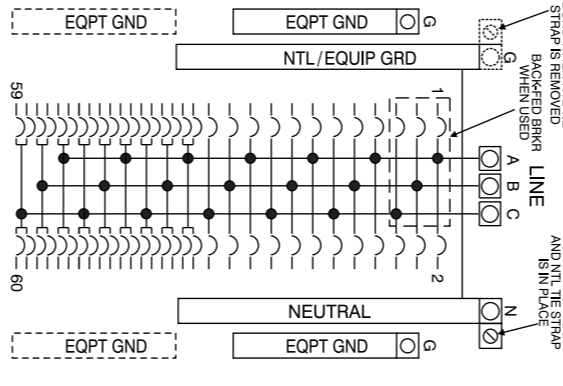
USE APPROPRIATE KIT FROM CHART BELOW TO CONVERT PANEL.

10K AIC	225A CATALOG No.
22K AIC	MBK3225HR
65K AIC	MBK3225HHR
100K AIC	HMBK3225HR

125A, 150A, 175A, AND 200A BREAKER KITS ARE ALSO AVAILABLE

ACCESSORIES

DESCRIPTION	CAT. NO.
DOOR LOCK	ECQFL2
FILLER PLATE, 1"	ECQF3
BREAKER HOLD-DOWN	ECMBR3
MAIN BRKR FILLER PLATE	EC3PMFPR
BONDABLE GROUND LUG	ECLKB1
SUBFEED LUG KIT	ECLK2125 ECLK2225 ECLK3225
150-225A MAIN LUG KIT	ECMLK3225
100A MAIN BREAKER KIT (BACK FED)	MBK3100



Assembled in Mexico
© 2016 Copyright Siemens Industry, Inc.
© The National Electrical Code is a registered trademark of the National Fire Protection Association.

SHORT CIRCUIT CURRENT RATING THIS PANELBOARD HAS A MAXIMUM SHORT CIRCUIT CURRENT RATING OF 100,000 AMPS RMS SYMMETRICAL, 240V~. THE ACTUAL RATING IS DEPENDENT ON THE BRANCH BREAKERS INSTALLED IN THIS PANELBOARD AND THE MAIN/FEEDER BREAKER. IF ANY INSTALLED AHEAD OF THIS PANELBOARD. IF NO MAIN/FEEDER BREAKER IS USED THE ACTUAL RATING IS EQUAL TO THE LOWEST INTERRUPTING RATING OF ANY INSTALLED BREAKER. THE CORRECT MAIN BREAKER/FEEDER/MAIN BREAKER/BRANCH BREAKER SERIES COMBINATIONS TO BE USED ARE LISTED IN THE TABULATION BELOW. ANY CIRCUIT BREAKER INSTALLED, REPLACED, OR ADDED IN THIS PANELBOARD MUST BE MANUFACTURED BY SIEMENS AND MUST BE OF THE CORRECT TYPE AS INDICATED IN THE TABULATION BELOW. USE OF OTHER CIRCUIT BREAKERS IN THIS EQUIPMENT WILL VOID THE WARRANTY.

MAIN BREAKER	FEEDER/MAIN BREAKER AND THE BREAKER PROTECTING THIS PANELBOARD, SEPARATE OR INTEGRAL, IS A SIEMENS TYPE	BRANCH BREAKER AND THE BRANCH BREAKERS INSTALLED ARE SIEMENS TYPE	THEN THE MAX. SHORT CIRCUIT CURRENT RATING IN RMS SYMMETRICAL AMPS, 120/240 V ~ IS
NONE USED	NONE USED or QP, QJ2, QR2, MP-T, MQ	QP, QG, QT, QAF, QAF2, QFGA2, QPF, QPF2, QE, QNR, MP-T, MG, MH-T, MP-AT, MP-AT2, MP-GAT2, MP-GT, MP-GT2, MP-ET, MD-TR	10,000
QPH, MP-HT	NONE USED	QPH, QAFH, QAFH2, QFGAH2, QPHF, QPHF2, QEH, QNRH, MP-HT, MP-HAT, MP-HAT2, MP-HGAT2, MP-HGT, MP-HGT2, MP-HET, MD-HTR	22,000
QRH2	QPH, MP-HT	QP, QG, QT, QAF, QAF2, QFGA2, QPF, QPF2, QE, MP-T, MG, MH-T, MP-AT, MP-AT2, MP-GAT2, MP-GT, MP-GT2, MP-ET, MD-TR	42,000
QJH2, MQH	QRH2	QP*, QG, QT*, QAF, QAF2, QFGA2, QPF, QPF2, QE, MP-T*, MG, MH-T*, MP-AT, MP-AT2, MP-GAT2, MP-GT, MP-GT2, MP-ET	
QJ2H, MQL	QPH, MP-HT	QP*, QPH, MP-T*, MP-HT	
NONE USED	HQP, HQAF2, HQFGA2, HOPF2, HQNR, MP-MT, MP-MAT2, MP-MGAT2, MD-MTR, MP-MGT2	QP, QPH, QT, QAF, QAFH, QAF2, QAFH2, QFGA2, QFGAH2, QPF, QPHF, QPF2, QPHF2, QE, QEH, MP-T, MP-AT, MP-HAT, MP-HAT2, MP-HGAT2, MP-HGT, MP-HGT2, MP-HET, MP-HET	
HQR2	QPH, MP-HT	QP, QPH, QT, QAF, QAFH, QAF2, QAFH2, QFGA2, QFGAH2, QPF, QPHF, QPF2, QPHF2, QE, QEH, QNR, QNRH, MP-HT, MP-HAT, MP-HAT2, MP-HGAT2, MP-HGT, MP-HGT2, MP-HET, MD-TR, MD-HTR	65,000
QR2, QRH2	NONE USED or QJ2, QJH2, MQ, MQH, MQL	QP, QPH, QAF, QAFH, QAF2, QAFH2, QFGA2, QFGAH2, QPF, QPHF, QPF2, QPHF2, MP-T, MP-HT, MP-AT, MP-HAT, MP-AT2, MP-HAT2, MP-GAT2, MP-GAT2, MP-GT, MP-GT2, MP-ET, MP-HGT2	
NONE USED	QPH, QPHF, QPHF2, QEH, QNRH, MP-HT, MP-HAT, MP-HAT2, MP-HGAT2, MP-HGT, MP-HGT2, MP-HET, MD-TR, MD-HTR	QP, QPH, QAF, QAFH, QAF2, QAFH2, QFGA2, QFGAH2, QPF, QPHF, QPF2, QPHF2, MP-T, MP-HT, MP-AT, MP-HAT, MP-AT2, MP-HAT2, MP-GAT2, MP-GAT2, MP-GT, MP-GT2, MP-ET, MP-HGT2	
HQR2H	QPH, MP-HT, QNR, QNRH	QP, QPH, HOP, QT, QAF, QAFH, QAF2, QAFH2, HQAF2, QFGA2, QFGAH2, HOPF2, QEH, QNRH, QPHF, QPHF2, QPF, QPHF2, QEH, MP-T, MP-AT, MP-HAT, MP-HAT2, MP-HGAT2, MP-HGT, MP-HGT2, MP-HET, MP-HET	100,000
QR2, QRH2, HQR2	NONE USED or QP, QPH, HOP, QJ2, QJH2, QJ2H, MQ, MQH, MQL	QP, QPH, HOP, QT, QAF, QAFH, QAF2, QAFH2, HQAF2, QFGA2, QFGAH2, HOPF2, QEH, QNRH, QPHF, QPHF2, QPF, QPHF2, QEH, MP-T, MP-AT, MP-HAT, MP-HAT2, MP-HGAT2, MP-HGT, MP-HGT2, MP-HET, MP-HET	
HFD6, HFXD6, or CLASS T (300V, 200 A MAX) FUSES	NONE USED or QP, QPH, HOP, QJ2, QJH2, QJ2H, MP-T, MP-HT, MP-MT, MQ, MQH, MQL	QP, QPH, HOP, QT, QAF, QAFH, QAF2, QAFH2, HQAF2, QFGA2, QFGAH2, HOPF2, QEH, QNRH, QPHF, QPHF2, QPF, QPHF2, QEH, MP-T, MP-AT, MP-HAT, MP-HAT2, MP-HGAT2, MP-HGT, MP-HGT2, MP-HET, MP-HET	
HFGA, HFBG or CLASS T (300V, 600 A MAX) FUSES	QPH, HOP, MP-HT, MP-MT	QP, HOP, QAF2, QAFH2, HQAF2, QFGA2, QFGAH2, HOPF2, QEH, QNRH, QPHF, QPHF2, QPF, QPHF2, MP-MAT2, MP-MGAT2, MP-HGAT2, MP-MGAT2	

*60-100 AMP ONLY FOR 3 POLE BREAKERS **15, 20 AND 40 AMP BREAKERS ONLY

QIR 50-25H