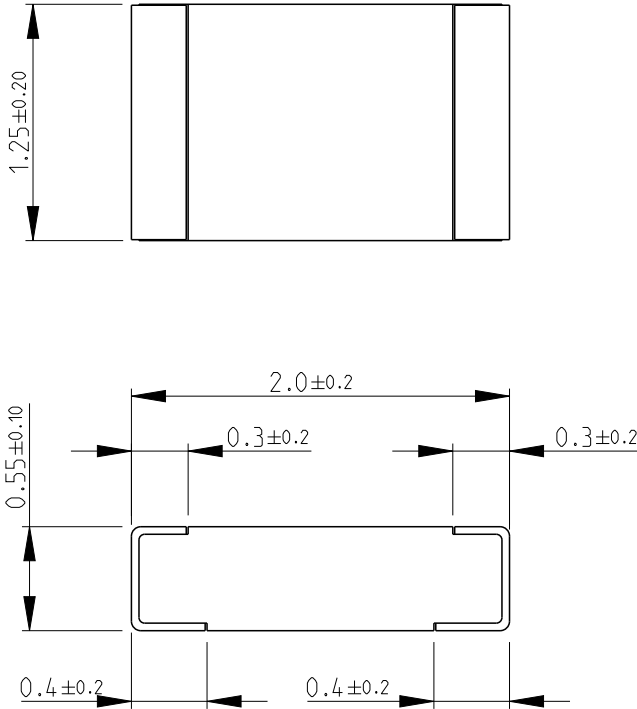
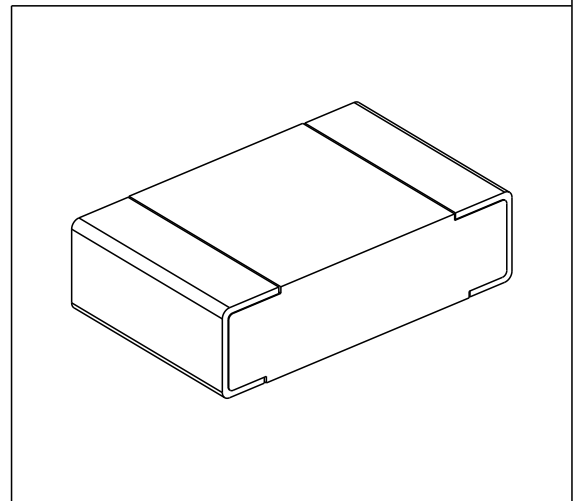


LOC	DIST	REVISIONS					
E	B	P	LTR	DESCRIPTION	DATE	DWN	APVD
		BA2		REVISED PER ECO-11-005150	29MAR2011	RK	HMR
		BA3		ECR-16-000106	05JAN2016	KR	TN

FOR FURTHER INFORMATION SEE DATA SHEET FOR
CPF SERIES-THIN FILM PRECISION CHIP RESISTORS



RoHS Compliant




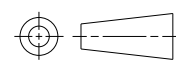
2008

RELEASED FOR PUBLICATION

ALL RIGHTS RESERVED.

© COPYRIGHT 2008

THIS DRAWING IS UNPUBLISHED.

DIMENSIONS: mm	DWN	SUBHASH.M	22-Sep-08	MATERIAL	-	FINISH	-
	CHK	PRAKASH.S	22-Sep-08	 TE Connectivity			
TOLERANCES UNLESS OTHERWISE SPECIFIED:	APVD	STEPHEN.P	22-Sep-08				
	0 PLC	± 0.2	PRODUCT SPEC	-	NAME THIN FILM PRECISION CHIP RESISTORS		
1 PLC	± 0.1	APPLICATION SPEC	-	SERIES CPF 0805			
2 PLC	$\pm -$	WEIGHT	-	SIZE	A 4	CAGE CODE	00779
3 PLC	$\pm -$		CUSTOMER DRAWING	DRAWING NO	C= 1614883		RESTRICTED TO
4 PLC	$\pm -$			SCALE	25:1	SHEET	1 OF 1
ANGLES	$\pm 5^\circ$						BA3