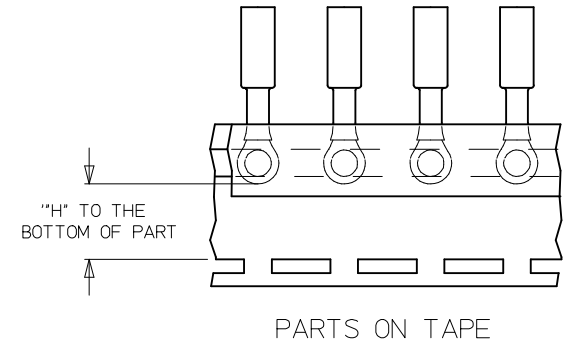
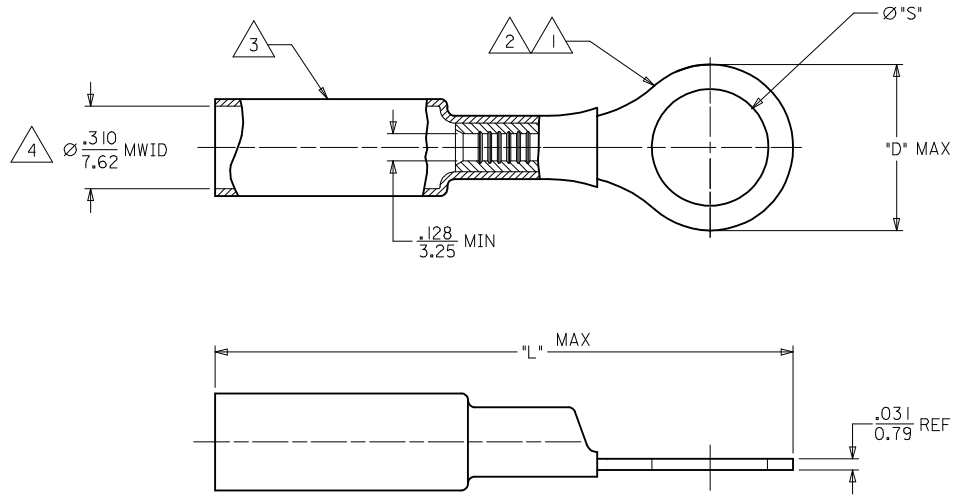


| MATERIAL NUMBER | ENGINEERING NUMBER | MATERIAL NUMBER ON TAPE | ENGINEERING NUMBER ON TAPE | STUD SIZE | "S" ±.005/0.03 | "D" MAX | "H" ±.020/0.50 | "L" MAX |
|-----------------|--------------------|-------------------------|----------------------------|-----------|----------------|----------|----------------|----------------|
| 191640060 | SC-228-04 | 191640936 | SC-228-04T | #4 | .126/3.20 | .39/9.9 | .469/11.91 | 1.39/35.1 |
| 191640061 | SC-228-06 | 191640937 | SC-228-06T | #6 | .146/3.71 | .39/9.9 | .469/11.91 | 1.39/35.1 |
| 191640062 | SC-228-08 | 191640938 | SC-228-08T | #8 | .173/4.39 | .39/9.9 | .469/11.91 | 1.39/35.1 |
| 191640063 | SC-228-10 | 191640939 | SC-228-10T | #10 | .198/5.03 | .39/9.9 | .469/11.91 | 1.39/35.1 |
| 191640065 | SC-230-10 | 191640316 | SC-230-10T | #10 | .198/5.03 | .54/13.7 | .302/7.67 | 1.55/39.4 |
| 191640066 | SC-230-14 | 191640317 | SC-230-14T | 1/4 | .265/6.73 | .54/13.7 | .302/7.67 | 1.55/39.4 |
| 191640067 | SC-230-56 | 191640318 | SC-230-56T | 5/16 | .328/8.33 | .54/13.7 | .302/7.67 | 1.55/39.4 |
| 191640068 | SC-240-38 | 191640857 | SC-240-38T | 3/8 | .390/9.91 | .60/15.2 | .385/9.78 | 1.65/41.9 (C1) |
| 191640058 | SC-201-12 | --- | --- | 1/2 | .515/13.08 | .76/19.3 | --- | 1.87/47.5 |



SALES DRAWING

- NOTES:
- 1. TERMINAL MATERIAL: COPPER ALLOY
 - 2. FINISH: ELECTRO TIN PLATE.
 - 3. INSULATION MATERIAL: HEAT SHRINKABLE TUBING WITH HOTMELT ADHESIVE INNER LINER. COLOR: YELLOW
 - 4. MWID = MAXIMUM WIRE INSULATION DIAMETER.
 - 5. PARTS ON TAPE DOUBLE SPACED.

| | | | | | | | | |
|-------------------------------------------------------------------------------------------------------------------------------|-------------------------------|---------------------------------------|-------|------------------------------|--------------------|---------------------------------------------------------|------------------------|--|
| CHANGE DIM 1.55 EC NO: IPG2016-0481 DRAWING: JASO1 2015/09/28 CHKD: JACNEIL 2015/09/28 APPR: JACNEIL 2015/10/05 | QUALITY SYMBOLS ▽=0 ▽=0 | GENERAL TOLERANCES (UNLESS SPECIFIED) | | DIMENSION STYLE IN/MM | SCALE --- | DESIGN UNITS INCH | THIRD ANGLE PROJECTION | |
| | | 4 PLACES ± --- | ± --- | DRAWN BY BENDERLE | DATE 2002/09/10 | TITLE RING TONGUE TERMINAL PERMA-SEAL NIAC 12-10 AWG | | |
| C1 | REV | 3 PLACES ± --- | ± --- | CHECKED BY HBEITZEL | DATE 2002/09/10 | MOLEX INCORPORATED | | |
| | | 2 PLACES ± --- | ± --- | APPROVED BY RDEROSS | DATE 2002/09/10 | MATERIAL NO. SEE CHART | | |
| DRAFT WHERE APPLICABLE MUST REMAIN WITHIN DIMENSIONS | | ANGULAR ± ---° | | DOCUMENT NO. SD-19164-041 | | SHEET NO. 1 OF 1 | | |
| THIS DRAWING CONTAINS INFORMATION THAT IS PROPRIETARY TO MOLEX INCORPORATED AND SHOULD NOT BE USED WITHOUT WRITTEN PERMISSION | | | | | | | | |