

High flow rate**Extensive manual override options****Manifold system with easy assembly****Low power consumption****Maintenance-free****Technical data****Medium:**

Compressed air, filtered to 50 µm, lubricated or non-lubricated.

Operation:

Solenoid pilot or air pilot

Mounting:

Individual or fixed length manifold

Connection:

1/8" NPT, 1/4" NPT and 3/8" NPT

1/8" ISO G, 1/4" ISO G and

3/8" ISO G

Operating pressure:

145 psi (10 bar)

Flow direction:

Internal pilot supply: fixed

External pilot supply: optional

Flow:

Series 3/2, 5/2 2 x 3/2, 5/3

Cv (l/min) Cv (l/min)

1/8 0.75 (750) 0.50 (500)

1/4 1.3 (1300) 0.95 (950)

3/8 2.6 (2600) 1.9 (1900)

Ambient temperature:

14°F to 122°F (-10°C to 50°C)

Consult our Technical Service for use below 36°F (2°C).

Materials

Housing and base plate:

aluminum

Spool: stainless steel,

Piston, spacers and cover:

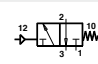
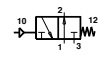
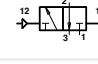
synthetic material

Static and dynamic seals: NBR

Screws: zinc plated

Springs: stainless steel

3/2 Air Pilot Valves

Symbol	Model	Port size (NPT)	Function	Operator/operator	Flow Cv	Operating pressure (Cv)	Pilot pressure (psi)	Weight (lbs)	Drawing No.
	V60P4D7A-XP0900	1/8	NC	Air/Spring	0.75	26" Hg to 145	36 to 145	0.29	8
	V61R4D7A-XP0900	1/4	NC	Air/Spring	1.30	26" Hg to 145	36 to 145	0.46	8
	V62S4D7A-XP0900	3/8	NC	Air/Spring	2.60	26" Hg to 145	36 to 145	0.95	8
	V60P3D7A-XP0900	1/8	NO	Spring/Air	0.75	26" Hg to 145	36 to 145	0.29	9
	V61R3D7A-XP0900	1/4	NO	Spring/Air	1.30	26" Hg to 145	36 to 145	0.46	9
	V62S3D7A-XP0900	3/8	NO	Spring/Air	2.60	26" Hg to 145	36 to 145	0.95	9
	V60P4DDA-XP0200	1/8	–	Air/Air	0.75	26" Hg to 145	22 to 145	0.29	10
	V61R4DDA-XP0200	1/4	–	Air/Air	1.30	26" Hg to 145	22 to 145	0.46	10
	V62S4DDA-XP0200	3/8	–	Air/Air	2.60	26" Hg to 145	22 to 145	0.95	10

NC = Normally closed, NO = Normally open

2 x 3/2 Air Pilot Valves

Symbol	Model	Port size (NPT)	Function	Operator/operator	Flow Cv	Operating pressure (Cv)	Pilot pressure (psi)	Weight (lbs)	Drawing No.
	V60PADD-XP0200	1/8	NC/NC	Air/Air	0.50	29 to 145	29 to 145	0.4	11
	V61RADD-XP0200	1/4	NC/NC	Air/Air	0.95	29 to 145	29 to 145	0.67	11
	V62SADD-XP0200	3/8	NC/NC	Air/Air	1.90	29 to 145	29 to 145	1.32	11
	V60PBDD-XP0200	1/8	NO/NO	Air/Air	0.50	29 to 145	29 to 145	0.4	11
	V61RBDD-XP0200	1/4	NO/NO	Air/Air	0.95	29 to 145	29 to 145	0.67	11
	V62SBDD-XP0200	3/8	NO/NO	Air/Air	1.90	29 to 145	29 to 145	1.32	11
	V60PCDD-XP0200	1/8	NO/NC	Air/Air	0.50	29 to 145	29 to 145	0.4	11
	V61RCDD-XP0200	1/4	NO/NC	Air/Air	0.95	29 to 145	29 to 145	0.67	11
	V62SCDD-XP0200	3/8	NO/NC	Air/Air	1.90	29 to 145	29 to 145	1.32	11

NC = Normally closed, NO = Normally open

5/2 Air Pilot Valves

Symbol	Model	Port size (NPT)	Function	Operator/operator	Flow Cv	Operating pressure (Cv)	Pilot pressure (psi)	Weight (lbs)	Drawing No.
	V60P5D7A-XP0900	1/8	-	Air/Spring	0.75	26" Hg to 145	36 to 145	0.35	12
	V61R5D7A-XP0900	1/4	-	Air/Spring	1.30	26" Hg to 145	36 to 145	0.57	12
	V62S5D7A-XP0900	3/8	-	Air/Spring	2.60	26" Hg to 145	36 to 145	1.23	12
	V60P5DDA-XP0200	1/8	-	Air/Air	0.75	26" Hg to 145	22 to 145	0.37	13
	V61R5DDA-XP0200	1/4	-	Air/Air	1.30	26" Hg to 145	22 to 145	0.6	13
	V62S5DDA-XP0200	3/8	-	Air/Air	2.60	26" Hg to 145	22 to 145	1.28	13

5/3 Air Pilot Valves

Symbol	Model	Port size (NPT)	Function	Operator/operator	Flow Cv	Operating pressure (Cv)	Pilot pressure (psi)	Weight (lbs)	Drawing No.
	V60P6DDA-XP0200	1/8	APB	Air/Air	0.50	26" Hg to 145	44 to 145	0.44	14
	V61R6DDA-XP0200	1/4	APB	Air/Air	0.95	26" Hg to 145	44 to 145	0.71	14
	V62S6DDA-XP0200	3/8	APB	Air/Air	1.90	26" Hg to 145	44 to 145	1.48	14
	V60P7DDA-XP0200	1/8	COE	Air/Air	0.50	26" Hg to 145	44 to 145	0.44	14
	V61R7DDA-XP0200	1/4	COE	Air/Air	0.95	26" Hg to 145	44 to 145	0.71	14
	V62S7DDA-XP0200	3/8	COE	Air/Air	1.90	26" Hg to 145	44 to 145	1.48	14
	V60P8DDA-XP0200	1/8	COP	Air/Air	0.50	26" Hg to 145	44 to 145	0.44	14
	V61R8DDA-XP0200	1/4	COP	Air/Air	0.95	26" Hg to 145	44 to 145	0.71	14
	V62S8DDA-XP0200	3/8	COP	Air/Air	1.90	26" Hg to 145	44 to 145	1.48	14

APB = All ports blocked, COE = Center open exhaust, COP = Center open pressure

3/2 Solenoid Pilot Valves

Symbol	Model	Port size	Function	Pilot supply	Operator	Solenoid	Flow Cv	Operating pressure (psi)	Pilot pressure	Weight (lbs)	Drawing No.
	V60P417A-AX***†	1/8	NC	Internal	Sol/spring	Standard	0.75	29 to 145	–	0.49	1
	V60P427A-AX***†	1/8	NC	External	Sol/spring	Standard	0.75	26" Hg to 145	44 to 145	0.49	1
	V61R417A-AX***†	1/4	NC	Internal	Sol/spring	Standard	1.30	29 to 145	–	0.64	1
	V61R427A-AX***†	1/4	NC	External	Sol/spring	Standard	1.30	26" Hg to 145	44 to 145	0.64	1
	V62S417A-AX***†	3/8	NC	Internal	Sol/spring	Standard	2.60	29 to 145	–	1.15	1
	V62S427A-AX***†	3/8	NC	External	Sol/spring	Standard	2.60	26" Hg to 145	44 to 145	1.15	1
	V60P317A-AX***†	1/8	NO	Internal	Sol/spring	Standard	0.75	29 to 145	–	0.5	2
	V60P327A-AX***†	1/8	NO	External	Sol/spring	Standard	0.75	26" Hg to 145	44 to 145	0.5	2
	V61R317A-AX***†	1/4	NO	Internal	Sol/spring	Standard	1.30	29 to 145	–	0.64	2
	V61R327A-AX***†	1/4	NO	External	Sol/spring	Standard	1.30	26" Hg to 145	44 to 145	0.64	2
	V62S317A-AX***†	3/8	NO	Internal	Sol/spring	Standard	2.60	29 to 145	–	1.15	2
	V62S327A-AX***†	3/8	NO	External	Sol/spring	Standard	2.60	26" Hg to 145	44 to 145	1.15	2
	V60P411A-AX***†	1/8	–	Internal	Sol/sol	Standard	0.75	22 to 145	–	0.66	3
	V60P422A-AX***†	1/8	–	External	Sol/sol	Standard	0.75	26" Hg to 145	44 to 145	0.66	3
	V61R411A-AX***†	1/4	–	Internal	Sol/sol	Standard	1.30	22 to 145	–	0.84	3
	V61R422A-AX***†	1/4	–	External	Sol/sol	Standard	1.30	26" Hg to 145	44 to 145	0.84	3
	V62S411A-AX***†	3/8	–	Internal	Sol/sol	Standard	2.60	22 to 145	–	1.34	3
	V62S422A-AX***†	3/8	–	External	Sol/sol	Standard	2.60	26" Hg to 145	44 to 145	1.34	3

NC = Normally closed, NO = Normally open

For manual override options, substitute 'X' as follows: 2 = locking, 3 = non-locking

*** Insert coil code.

† Insert Connector code.

2 x 3/2 Solenoid Pilot Valves

Symbol	Model	Port size	Function	Pilot supply	Operator	Flow Cv	Operating pressure (psi)	Pilot pressure	Weight (lbs)	Drawing No.
	V60PA11A-AX***†	1/8	NC/NC	Internal	Sol/sol	0.5	29 to 145	–	0.75	4
	V61RA11A-AX***†	1/4	NC/NC	Internal	Sol/sol	0.95	29 to 145	–	0.95	4
	V62SA11A-AX***†	3/8	NC/NC	Internal	Sol/sol	1.9	29 to 145	–	0.73	4
	V60PB11A-AX***†	1/8	NO/NO	Internal	Sol/sol	0.5	29 to 145	–	0.75	4
	V61RB11A-AX***†	1/4	NO/NO	Internal	Sol/sol	0.95	29 to 145	–	0.95	4
	V62SB11A-AX***†	3/8	NO/NO	Internal	Sol/sol	1.9	29 to 145	–	1.61	4
	V60PC11A-AX***†	1/8	NO/NC	Internal	Sol/sol	0.5	29 to 145	–	0.75	4
	V61RC11A-AX***†	1/4	NO/NC	Internal	Sol/sol	0.95	29 to 145	–	0.95	4
	V62SC11A-AX***†	3/8	NO/NC	Internal	Sol/sol	1.9	29 to 145	–	1.61	4

NC = Normally closed, NO = Normally open

For manual override options, substitute 'X' as follows: 2 = locking, 3 = non-locking

*** Insert coil code.

† Insert Connector code.

Coil & voltage codes

***Standard (22 mm coil industrial standard)

Voltage	Coil code	Power inrush/hold	Model
12 VDC	12J	2 W	54469-01
24 VDC	13J	2 W	54469-02
24 V 50/60 Hz	14J	4/2.5 VA	54469-04
110/120 V 50/60 Hz	18J	4/2.5 VA	54469-03
220/240 V 50/60 Hz	19J	6/5 VA	54469-08

Electrical details

Voltage tolerance:	±10%
Rating:	100% E.D.
Protection class:	IP 65 with sealed plugs (ISO 6952)

†Connectors

Connector Code	Description	Model
A	No connector	
B	Cable grip 0-240Vac/Vdc	54934-01
C	6 ft molded cable, 0-240Vac/Vdc	54934-21
H	Cable grip w/indicator light 24 VDC	54934-08
J	Cable grip w/indicator light 120Vac	54934-02
Z	1/2" Conduit 0-240Vac/Vdc	54934-05
5	6 ft molded cable w/indicator light, surge suppression, 24Vac/Vdc	54934-30
6	6 ft molded cable w/indicator light, 120Vac	54934-35

5/2 Solenoid Pilot Valves

Symbol	Model	Port size	Function	Pilot supply	Operator	Flow Cv	Operating pressure (psi)	Pilot pressure	Weight (lbs)	Drawing No.
	V60P517A-AX***†	1/8	—	Internal	Sol/spring	0.75	29 to 145	—	0.53	5
	V60P527A-AX***†	1/8	—	External	Sol/spring	0.75	26" Hg to 145	44 to 145	0.53	5
	V61R517A-AX***†	1/4	—	Internal	Sol/spring	1.3	29 to 145	—	0.73	5
	V61R527A-AX***†	1/4	—	External	Sol/spring	1.3	26" Hg to 145	44 to 145	0.73	5
	V62S517A-AX***†	3/8	—	Internal	Sol/spring	2.6	29 to 145	—	1.36	5
	V62S527A-AX***†	3/8	—	External	Sol/spring	2.6	26" Hg to 145	44 to 145	1.36	5
	V60P511A-AX***†	1/8	—	Internal	Sol/sol	0.75	29 to 145	—	0.73	6
	V60P522A-AX***†	1/8	—	External	Sol/sol	0.75	26" Hg to 145	44 to 145	0.51	6
	V61R511A-AX***†	1/4	—	Internal	Sol/sol	1.3	29 to 145	—	0.93	6
	V61R522A-AX***†	1/4	—	External	Sol/sol	1.3	26" Hg to 145	44 to 145	0.93	6
	V62S511A-AX***†	3/8	—	Internal	Sol/sol	2.6	29 to 145	—	1.59	6
	V62S522A-AX***†	3/8	—	External	Sol/sol	2.6	26" Hg to 145	44 to 145	1.59	6

For manual override options, substitute 'X' as follows: 2 = locking, 3 = non-locking

*** Insert coil code.

† Insert Connector code.

5/3 Solenoid Pilot Valves

Symbol	Model	Port size	Function	Pilot supply	Operator	Flow Cv	Operating pressure (psi)	Pilot pressure	Weight (lbs)	Drawing No.
	V60P611A-AX***†	1/8	APB	Internal	Sol/sol	0.5	44 to 145	—	0.77	7
	V60P622A-AX***†	1/8	APB	External	Sol/sol	0.5	26" Hg to 145	44 to 145	0.77	7
	V61R611A-AX***†	1/4	APB	Internal	Sol/sol	0.95	44 to 145	—	1.04	7
	V61R622A-AX***†	1/4	APB	External	Sol/sol	0.95	26" Hg to 145	44 to 145	1.04	7
	V62S611A-AX***†	3/8	APB	Internal	Sol/sol	1.9	44 to 145	—	1.79	7
	V62S622A-AX***†	3/8	APB	External	Sol/sol	1.9	26" Hg to 145	44 to 145	1.79	7
	V60P711A-AX***†	1/8	COE	Internal	Sol/sol	0.5	44 to 145	—	0.77	7
	V60P722A-AX***†	1/8	COE	External	Sol/sol	0.5	26" Hg to 145	44 to 145	0.77	7
	V61R711A-AX***†	1/4	COE	Internal	Sol/sol	0.95	44 to 145	—	1.04	7
	V61R722A-AX***†	1/4	COE	External	Sol/sol	0.95	26" Hg to 145	44 to 145	1.04	7
	V62S711A-AX***†	3/8	COE	Internal	Sol/sol	1.9	44 to 145	—	1.79	7
	V62S722A-AX***†	3/8	COE	External	Sol/sol	1.9	26" Hg to 145	44 to 145	1.79	7
	V60P811A-AX***†	1/8	COP	Internal	Sol/sol	0.5	44 to 145	—	0.77	7
	V60P822A-AX***†	1/8	COP	External	Sol/sol	0.5	26" Hg to 145	44 to 145	0.77	7
	V61R811A-AX***†	1/4	COP	Internal	Sol/sol	0.95	44 to 145	—	1.04	7
	V61R822A-AX***†	1/4	COP	External	Sol/sol	0.95	26" Hg to 145	44 to 145	1.04	7
	V62S811A-AX***†	3/8	COP	Internal	Sol/sol	1.9	44 to 145	—	1.79	7
	V62S822A-AX***†	3/8	COP	External	Sol/sol	1.9	26" Hg to 145	44 to 145	1.79	7

APB = All ports blocked, COE = Center open exhaust, COP = Center open pressure

For manual override options, substitute 'X' as follows: 2 = locking, 3 = non-locking

*** Insert coil code.

† Insert Connector code.

Coil & voltage codes

***Standard (22 mm coil industrial standard)

Voltage	Coil code	Power inrush/hold	Model
12 VDC	12J	2 W	54469-01
24 VDC	13J	2 W	54469-02
24 V 50/60 Hz	14J	4/2.5 VA	54469-04
110/120 V 50/60 Hz	18J	4/2.5 VA	54469-03
220/240 V 50/60 Hz	19J	6/5 VA	54469-08

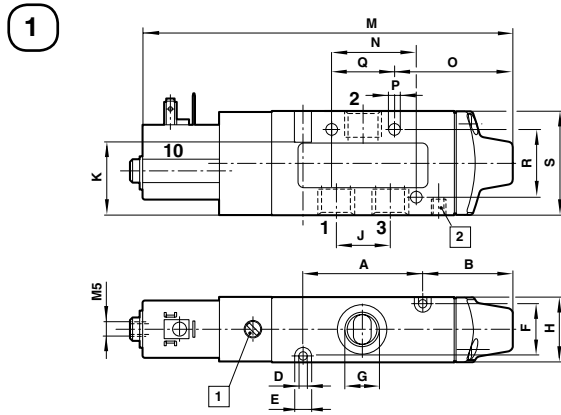
Electrical details

Voltage tolerance:	±10%
Rating:	100% E.D.
Protection class:	IP 65 with sealed plugs (ISO 6952)

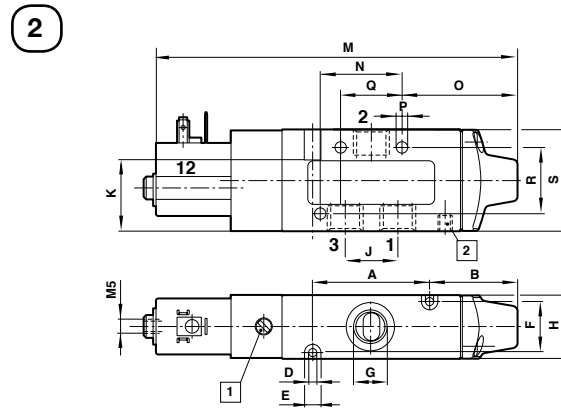
†Connectors

Connector Code	Description	Model
A	No connector	
B	Cable grip 0-240Vac/Vdc	54934-01
C	6 ft molded cable, 0-240Vac/Vdc	54934-21
H	Cable grip w/indicator light 24 VDC	54934-08
J	Cable grip w/indicator light 120Vac	54934-02
Z	1/2" Conduit 0-240Vac/Vdc	54934-05
5	6 ft molded cable w/indicator light, surge suppression, 24Vac/Vdc	54934-30
6	6 ft molded cable w/indicator light, 120Vac	54934-35

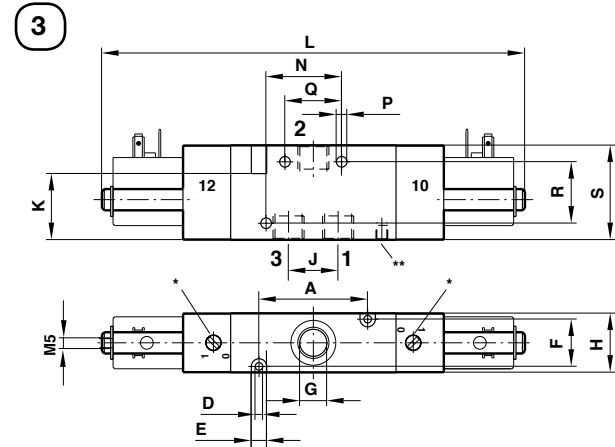
3/2 NC Solenoid Pilot Spring Return Valve



3/2 NO Solenoid Pilot Spring Return Valve



3/2 Double Solenoid Pilot Valve

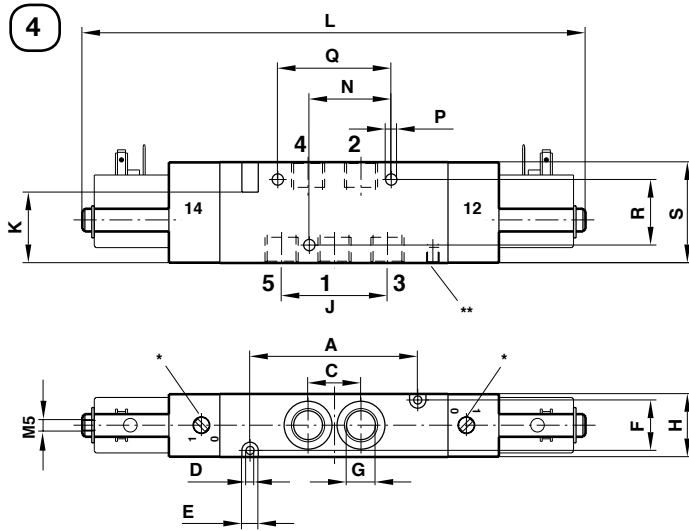


* Manual override
** External pilot supply 10-32
*** Collected pilot exhaust 10-32
**** Solenoid 1
***** Solenoid 2

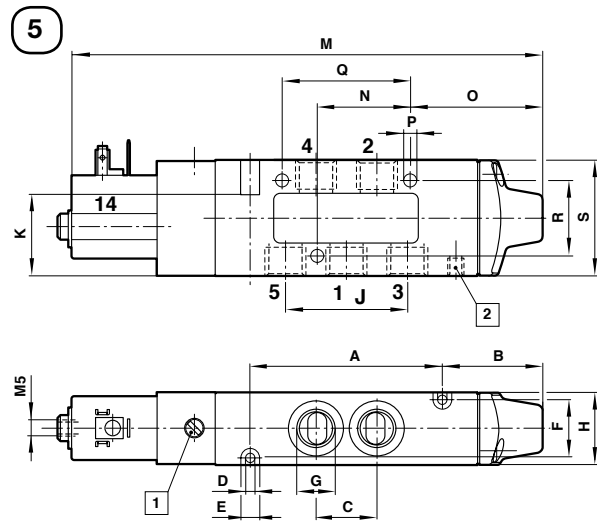
Drawing No	Type	A	B	C	D	E	F	G	H	J	K	L	M	N	O	P	Q	R	S	T	U
1	V60	1.38	0.67	-	0.13	0.26	0.67	1/8	0.87	0.64	1.10	-	4.49	0.98	0.98	0.18	0.71	1.02	1.38	-	-
1	V61	1.81	0.79	-	0.13	0.26	0.79	1/4	0.98	0.83	1.10	-	5.22	1.26	1.22	0.18	0.94	1.02	1.57	-	-
1	V62	2.13	0.83	-	0.18	0.31	1.10	3/8	1.34	0.96	1.73	-	5.71	0.47	1.42	0.18	1.02	1.42	2.17	-	-
2	V60	1.38	0.67	-	0.13	0.26	0.67	1/8	0.87	0.64	1.10	-	4.49	0.98	0.98	0.18	0.71	1.02	1.38	-	-
2	V61	1.81	0.79	-	0.13	0.26	0.79	1/4	0.98	0.83	1.10	-	5.22	1.26	1.22	0.18	0.94	1.02	1.57	-	-
2	V62	2.13	0.83	-	0.18	0.31	1.10	3/8	1.34	0.96	1.73	-	5.71	0.47	1.34	0.18	1.02	1.42	2.17	-	-
3	V60	1.38	-	-	0.13	0.26	0.67	1/8	0.87	0.64	1.10	6.30	-	0.98	-	0.18	0.71	1.02	1.38	-	-
3	V61	1.81	-	-	0.13	0.26	0.79	1/8	0.98	0.83	1.10	7.05	-	1.26	-	0.18	0.94	1.02	1.57	-	-
3	V62	2.13	-	-	0.18	0.31	1.10	3/8	1.34	0.96	1.73	7.64	-	0.47	-	0.18	1.02	1.42	2.17	-	-

Dimensions in inches (mm)

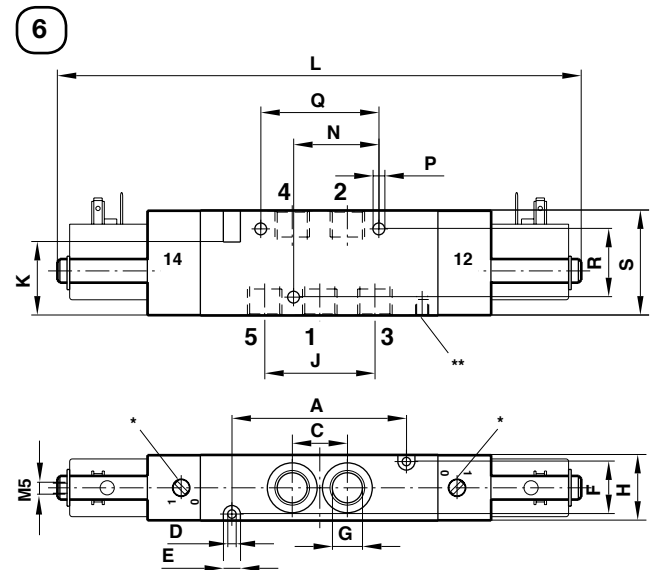
2x3/2 Solenoid Pilot Spring Return Valve



5/2 Solenoid Pilot Spring Return Valve



5/2 Double Solenoid Pilot Valve



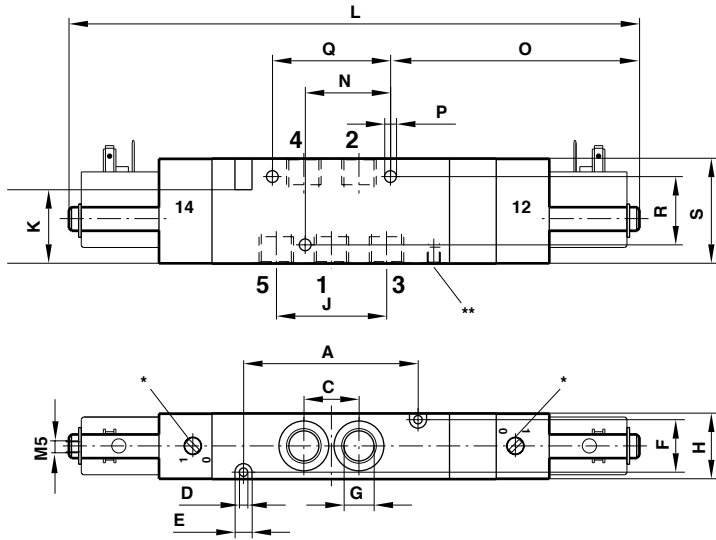
- * Manual override
- ** External pilot supply 10-32
- *** Collected pilot exhaust 10-32
- **** Solenoid 1
- ***** Solenoid 2

Drawing No	Type	A	B	C	D	E	F	G	H	J	K	L	M	N	O	P	Q	R	S	T	U
4	V60	1.97	-	0.64	0.13	0.26	0.67	1/8	0.87	1.28	1.10	6.89	-	0.98	-	0.18	1.32	1.02	1.38	-	-
4	V61	2.60	-	0.83	0.13	0.26	0.79	1/4	0.98	1.65	1.10	7.83	-	1.26	-	0.18	1.73	1.02	1.57	-	-
4	V62	3.07	-	0.96	0.18	0.31	1.10	3/8	1.34	1.92	1.73	8.58	-	0.47	-	0.18	1.02	1.42	2.17	-	-
5	V60	1.97	0.67	0.64	0.13	0.26	0.67	1/8	0.87	1.28	1.10	-	5.08	0.98	0.98	0.18	1.32	1.02	1.38	-	-
5	V61	2.60	0.79	0.83	0.13	0.26	0.79	1/4	0.98	1.65	1.10	-	6.00	1.26	1.22	0.18	1.73	1.02	1.57	-	-
5	V62	3.07	0.83	0.96	0.18	0.31	1.10	3/8	1.34	1.92	1.73	-	6.69	0.47	2.36	0.18	1.02	1.42	2.17	-	-
6	V60	1.97	-	0.64	0.13	0.26	0.67	1/8	0.87	1.28	1.10	6.89	-	0.98	-	0.18	1.32	1.02	1.38	-	-
6	V61	2.60	-	0.83	0.13	0.26	0.79	1/4	0.98	1.65	1.10	7.83	-	1.26	-	0.18	1.73	1.02	1.57	-	-
6	V62	3.07	-	0.96	0.18	0.31	1.10	3/8	1.34	1.92	1.73	8.58	-	0.47	-	0.18	1.02	1.42	2.17	-	-

Dimensions in inches (mm)

5/3 Double Solenoid Pilot Valve

7

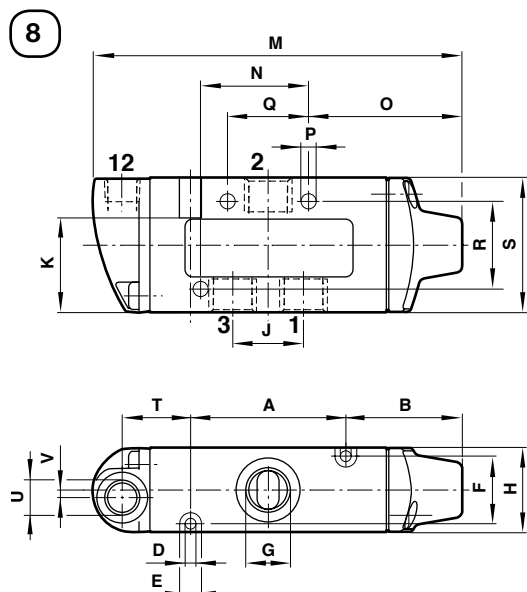


- * Manual override
- ** External pilot supply 10-32
- *** Collected pilot exhaust 10-32
- **** Solenoid 1
- ***** Solenoid 2

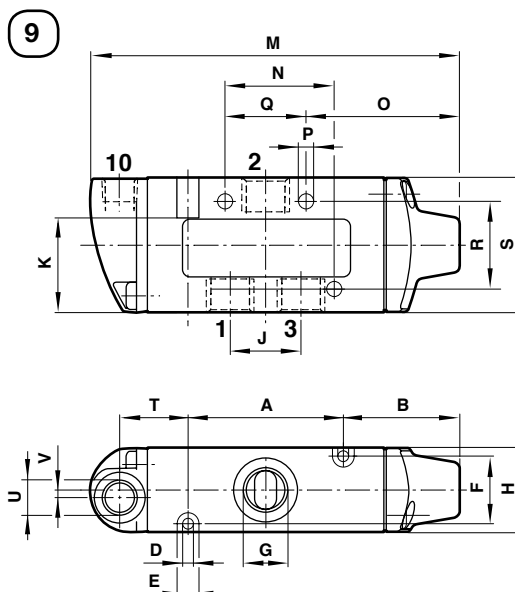
Drawing No.	Type	A	B	C	D	E	F	G	H	J	K	L	M	N	O	P	Q	R	S	T	U
7	V60	1.97	-	0.64	0.13	0.26	0.67	1/8	0.87	1.28	1.10	7.44	-	0.98	3.33	0.18	1.32	1.02	1.38	-	-
7	V61	2.60	-	0.83	0.13	0.26	0.79	1/4	0.98	1.65	1.10	8.54	-	1.26	-	0.18	1.73	1.02	1.57	-	-
7	V62	3.07	-	0.96	0.18	0.31	1.10	3/8	1.34	1.92	1.73	9.49	-	0.47	5.20	0.18	1.02	1.42	2.17	-	-

Dimensions in inches (mm)

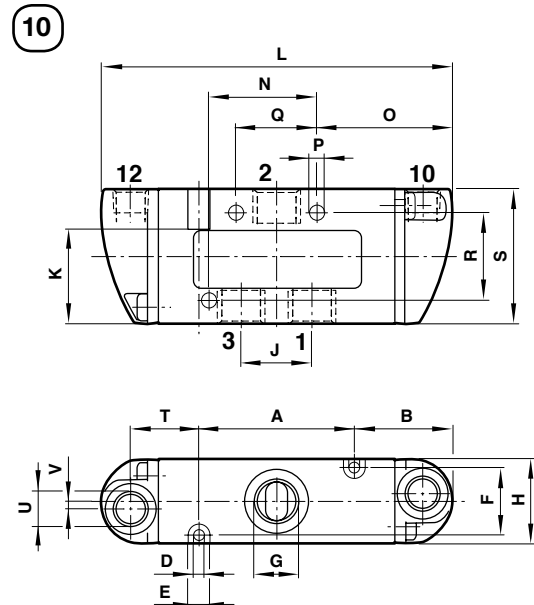
3/2 NC Air Pilot Spring Return Valve



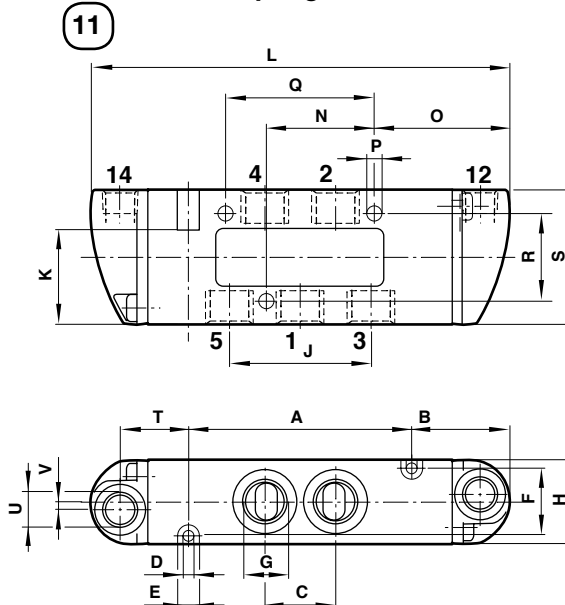
3/2 NO Air Pilot Spring Return Valve



3/2 Double Air Pilot Valve



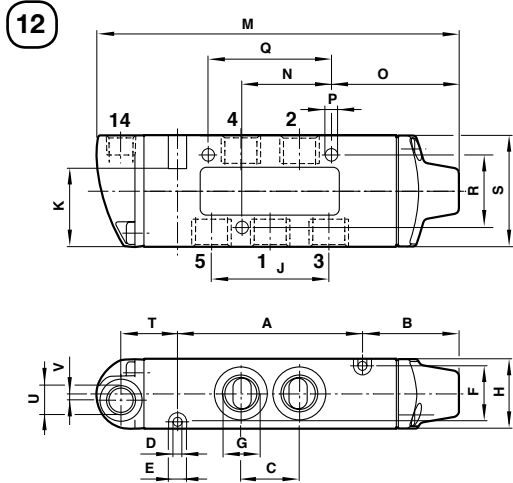
2x3/2 Air Pilot Spring Return Valve



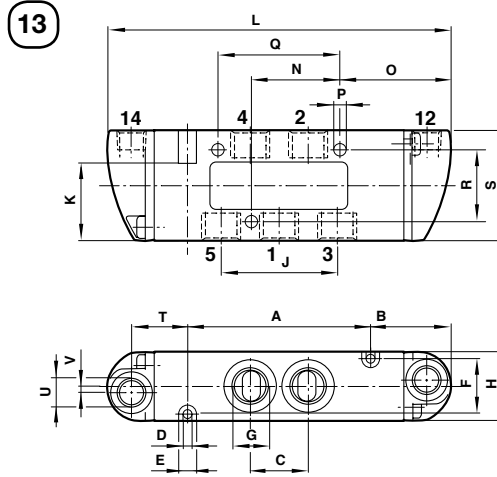
Drawing No.	Type	A	B	C	D	E	F	G	H	J	K	L	M	N	O	P	Q	R	S	T	U
8	V60	1.38	1.08	-	0.13	0.26	0.67	1/8	0.87	0.64	1.10	-	3.54	0.98	1.41	0.18	0.71	1.02	1.38	0.73	1/8" NPT
8	V61	1.81	1.36	-	0.13	0.26	0.79	1/4	0.98	0.83	1.10	-	4.33	1.26	1.79	0.18	0.94	1.02	1.57	0.80	1/8" NPT
8	V62	2.13	1.69	-	0.18	0.31	1.10	3/8	1.34	0.96	1.73	-	4.88	0.47	2.28	0.18	1.02	1.42	2.17	0.83	1/8" NPT
9	V60	1.38	1.08	-	0.13	0.26	0.67	1/8	0.87	0.64	1.10	-	3.54	0.98	1.41	0.18	0.71	1.02	1.38	0.73	1/8" NPT
9	V61	1.81	1.36	-	0.13	0.26	0.79	1/4	0.98	0.83	1.10	-	4.33	1.26	1.79	0.18	0.94	1.02	1.57	0.80	1/8" NPT
9	V62	2.13	1.69	-	0.18	0.31	1.10	3/8	1.34	0.96	1.73	-	4.88	0.47	2.20	0.18	1.02	1.42	2.17	0.83	1/8" NPT
10	V60	1.38	1.08	-	0.13	0.26	0.67	1/8	0.87	0.64	1.10	3.50	-	0.98	1.40	0.18	0.71	1.02	1.38	0.73	1/8" NPT
10	V61	1.81	1.14	-	0.13	0.26	0.79	1/4	0.98	0.83	1.10	4.09	-	1.26	1.57	0.18	0.94	1.02	1.57	0.80	1/8" NPT
10	V62	2.13	1.06	-	0.18	0.31	1.10	3/8	1.34	0.96	1.73	4.25	-	0.47	1.65	0.18	1.02	1.42	2.17	0.83	1/8" NPT
11	V60	1.97	1.07	0.64	0.13	0.26	0.67	1/8	0.87	1.28	1.10	4.11	-	0.98	1.40	0.18	1.32	1.02	1.38	0.74	1/8" NPT
11	V61	2.60	1.14	0.83	0.13	0.26	0.79	1/4	0.98	1.65	1.10	4.88	-	1.26	1.57	0.18	1.73	1.02	1.57	0.80	1/8" NPT
11	V62	3.07	1.06	0.96	0.18	0.31	1.10	3/8	1.34	1.92	1.73	5.20	-	0.47	2.60	0.18	1.02	1.42	2.17	0.83	1/8" NPT

Dimensions in inches

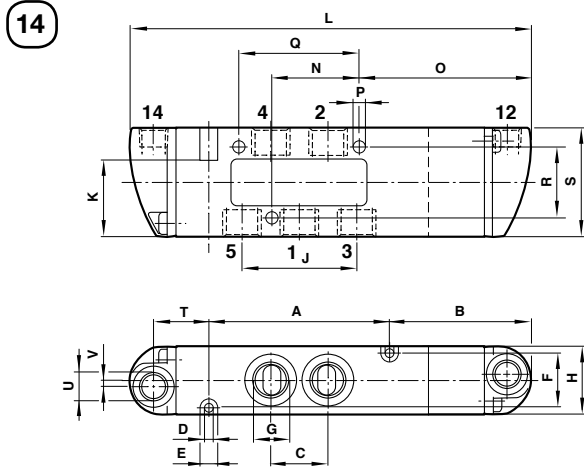
5/2 Air Pilot Spring Return Valve



5/2 Double Air Pilot Valve



5/3 Double Air Pilot Valve



Drawing No.	Type	A	B	C	D	E	F	G	H	J	K	L	M	N	O	P	Q	R	S	T	U
12	V60	1.97	1.08	0.64	0.13	0.26	0.67	1/8	0.87	1.28	1.10	-	4.13	0.98	1.41	0.18	1.73	1.02	1.38	0.74	1/8" NPT
12	V61	2.60	1.36	0.83	0.13	0.26	0.79	1/4	0.98	1.65	1.10	-	5.12	1.26	1.79	0.18	1.02	1.02	1.57	0.80	1/8" NPT
12	V62	3.07	1.69	0.96	0.18	0.31	1.10	3/8	1.34	1.92	1.73	-	5.83	0.47	3.23	0.18	1.32	1.42	2.17	0.83	1/8" NPT
13	V60	1.97	1.07	0.64	0.13	0.26	0.67	1/8	0.87	1.28	1.10	4.11	-	0.98	1.40	0.18	1.73	1.02	1.38	0.74	1/8" NPT
13	V61	2.60	1.14	0.83	0.13	0.26	0.79	1/4	0.98	1.65	1.10	4.88	-	1.26	1.57	0.18	1.02	1.02	1.57	0.80	1/8" NPT
13	V62	3.07	1.06	0.96	0.18	0.31	1.10	3/8	1.34	1.92	1.73	5.20	-	0.47	2.60	0.18	1.32	1.42	2.17	0.83	1/8" NPT
14	V60	1.97	1.63	0.64	0.13	0.26	0.67	1/8	0.87	1.28	1.10	4.67	-	0.98	1.95	0.18	1.73	1.02	1.38	0.74	1/8" NPT
14	V61	2.60	2.05	0.83	0.13	0.26	0.79	1/4	0.98	1.65	1.10	5.79	-	1.26	2.48	0.18	1.02	1.02	1.57	0.80	1/8" NPT
14	V62	3.07	1.95	0.96	0.18	0.31	1.10	3/8	1.34	1.92	1.73	6.08	-	0.47	3.48	0.18	1.32	1.42	2.17	0.83	1/8" NPT

Dimensions in inches (mm)

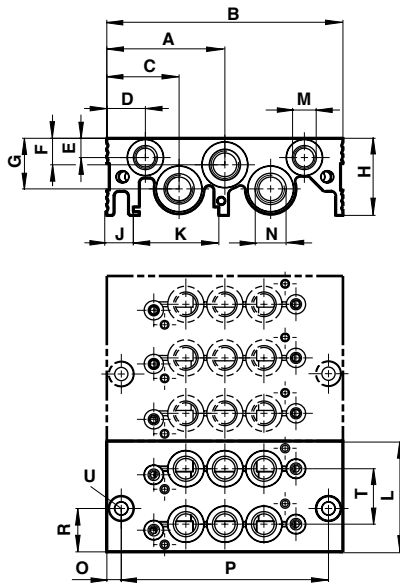
Manifold plate

Valve ports	V60	lbs (kg)	V61	lbs (kg)	V62 lbs (kg)	lbs (kg)
2	2221032	0.51 (0.23)	2221132	0.62 (0.28)	2221232	1.10 (0.50)
3	2221033	0.62 (0.28)	2221133	0.99 (0.45)	2221233	1.87 (0.85)

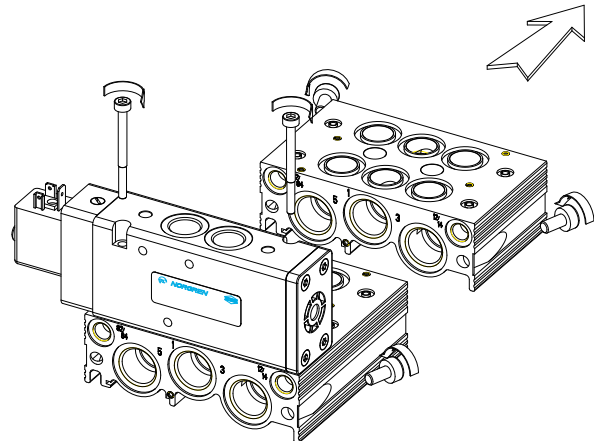
Note: Fixed length manifolds can only be used with 5-ported V60-V62 valves

Drawing dimensions

Manifold plate 2 stations + 3 stations

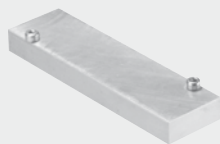


Extension possibilities with manifold plates



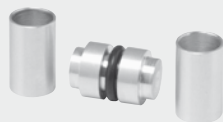
Type		A	B	C	D	E	F	G	H	J	K	L	M	N	O	P	R	S	T	U
V60	2 stations	1.93	3.86	1.18	0.63	0.31	0.43	0.83	1.26	0.43	1.40	1.81	1/8	1/4	0.24	3.39	1.10	-	0.91	10-32
V60	3 stations	1.93	3.86	1.18	0.63	0.31	0.43	0.83	1.26	0.43	1.40	2.72	1/8	1/4	0.24	3.39	1.10	-	0.91	10-32
V61	2 stations	2.05	4.09	1.02	0.35	0.31	0.51	0.83	1.30	0.39	1.40	2.05	1/8	3/8	1.57	0.94	1.02	-	1.02	10-32
V61	3 stations	2.05	4.09	1.02	0.35	0.31	0.51	0.79	1.30	0.39	1.40	3.07	1/8	3/8	1.57	0.94	2.05	-	1.02	10-32
V62	2 stations	2.36	4.72	1.14	0.35	0.31	0.59	0.87	1.50	0.51	1.40	2.76	1/8	1/2	1.73	1.26	1.38	-	1.38	M6
V62	3 stations	2.36	4.72	1.14	0.35	0.31	0.59	0.87	1.50	0.51	1.40	4.13	1/8	1/2	1.73	1.26	2.76	-	1.38	M6

Blanking plate



0100561	(V60)
0100563	(V61)
0100565	(V62)

Pressure shut-off part for 4 station up to 20 station manifolds



0100567	(V60)
0100569	(V61)
0100571	(V62)

DIN Rail fixing kit

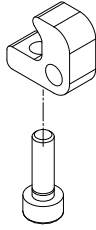


0101796	(V60-V62)
---------	-----------

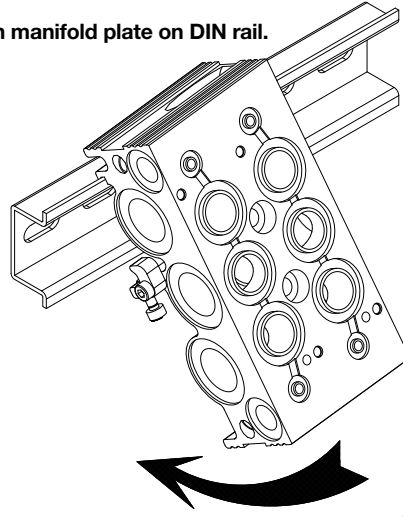
Dimensions in inches (mm)

Mounting instructions
DIN Rail

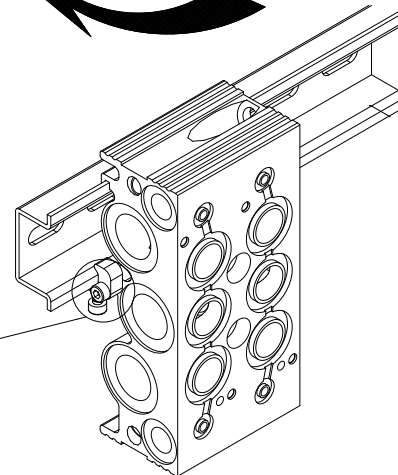
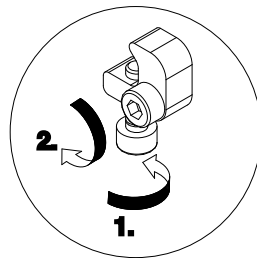
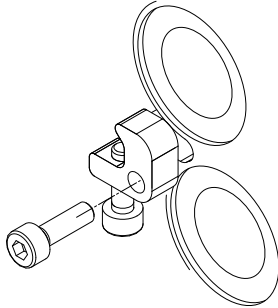
1. Mount screw in rod



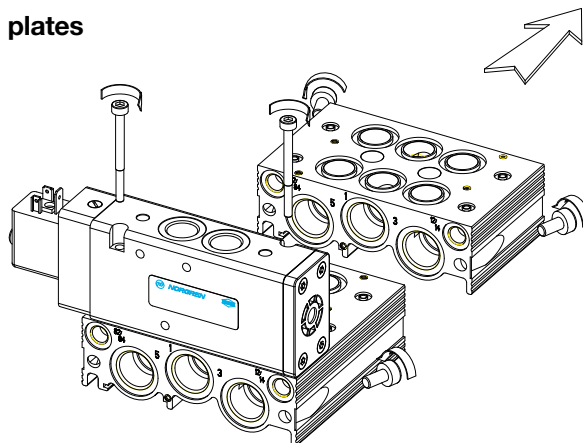
3. Position manifold plate on DIN rail.



2. Fix rod on manifold plate with screw.



4. Tighten screws in steps as shown on picture

Extension possibilities with manifold plates

Dimensions in inches (mm)

Product De-configuration Tree

V60A517A — A313JB

