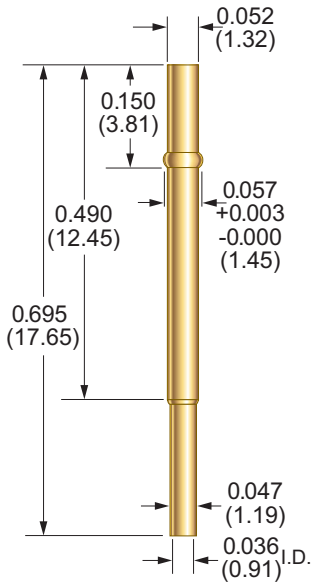


► **R-1 SERIES**

0.075 (1.91) Centers

For S-1 Series Probes see pg. 13
For SS-75 Series Probes see pg. 14



PROBE SPECIFICATIONS

Minimum Centers	0.075 (1.91)
Drill Size	1.45 mm
Mounting Hole Size	0.055/0.057 (1.40/1.45)
Recommended Wire	24-28 gage
Materials	Nickel/silver, gold plated, gold plated post

TOOLS

Crimping Pliers	CP-1 (for 24-28 gage solid conductor)
Insertion Tool	RT-1

PART NUMBER	STYLE	RECEPTACLE LENGTH	PROBE/RECEPTACLE COMBINED LENGTH		NOTES
			S-1	SS-75	
R-1-CR	Crimp	0.695 (17.65)	0.875 (22.23)	0.825 (20.96)	—
R-1-SC	Solder Cup	0.695 (17.65)	0.875 (22.23)	0.825 (20.96)	—
R-1-RP	Round Post	1.070 (27.18)	1.250 (31.75)	1.200 (30.48)	0.375 post length – 0.025 dia.
R-1-WW-429	Wire Wrap	1.124 (28.55)	1.304 (33.12)	1.254 (31.85)	0.429 post length – 0.025 dia.

HOW TO ORDER

R - 1 - WW - 429
1 2 3

1 ► SERIES	R
2 ► SIZE	1
3 ► TERMINATION	CR CRIMP SC SOLDER CUP
	RP ROUND POST WW - 429 WIRE WRAP 0.429 POST LENGTH