

5

4

3

2

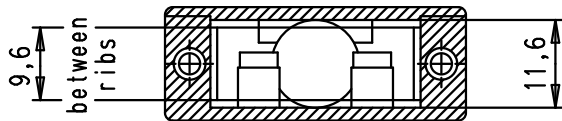
1

D

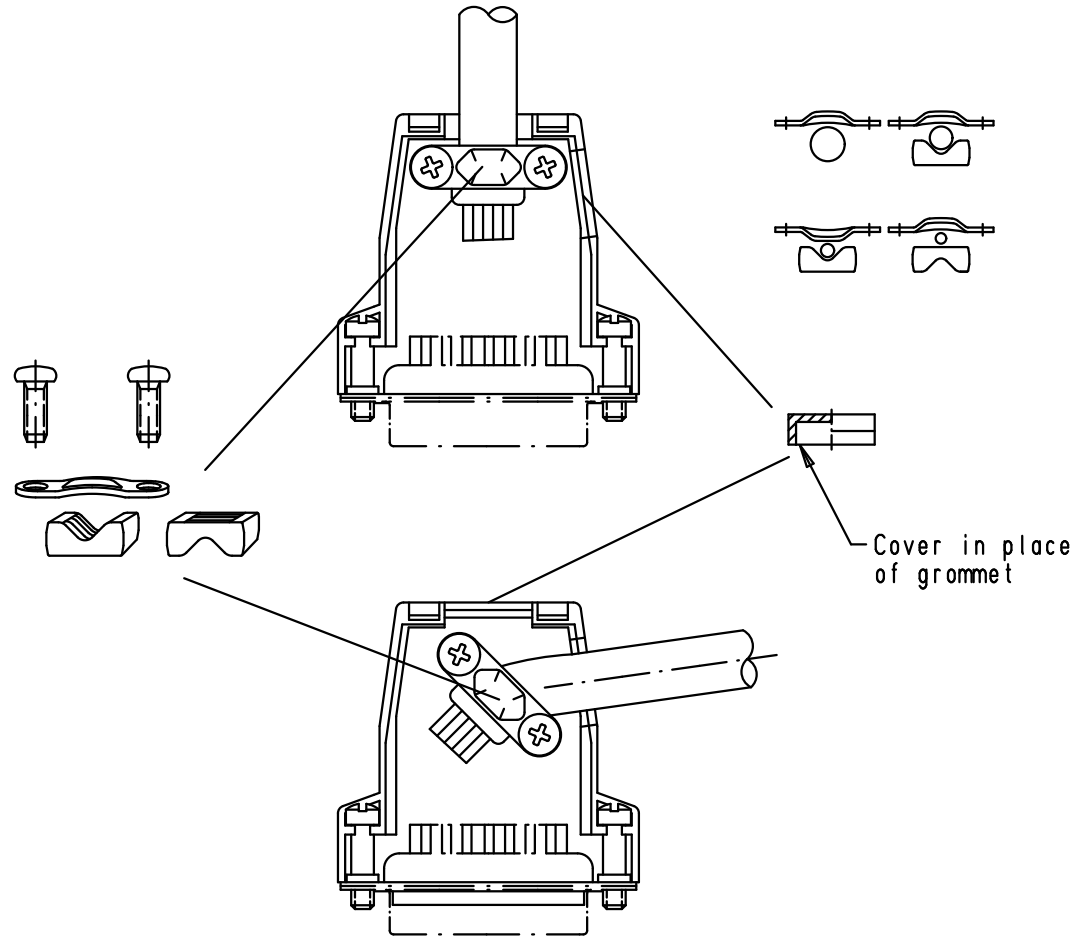
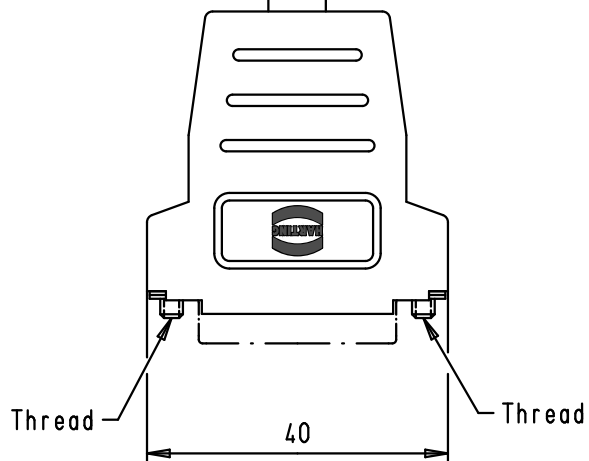
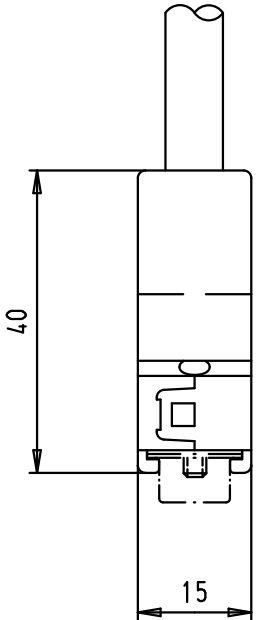
C

B

A



Max ϕ 11,5



09 67 015 0463	4-40 UNC
09 67 015 0462	M3
Part number	Thread

				Dat.	Name	 All Dim. in mm Orig. Size DIN A 4
			Detail.	15/02/11	SC	
			Insp.	15/02/11	JB	
			Stand.			
EC02864			HARTING EURL F-95972 Paris			
Mod.	Dat.	Name				

						D-Sub, 15 poles, black plastic, top/side entry, short screws	Maßstab/ Scale 1:1
						TB 09 67 015 046x	Blatt/ Page 1/2
						Sub.	