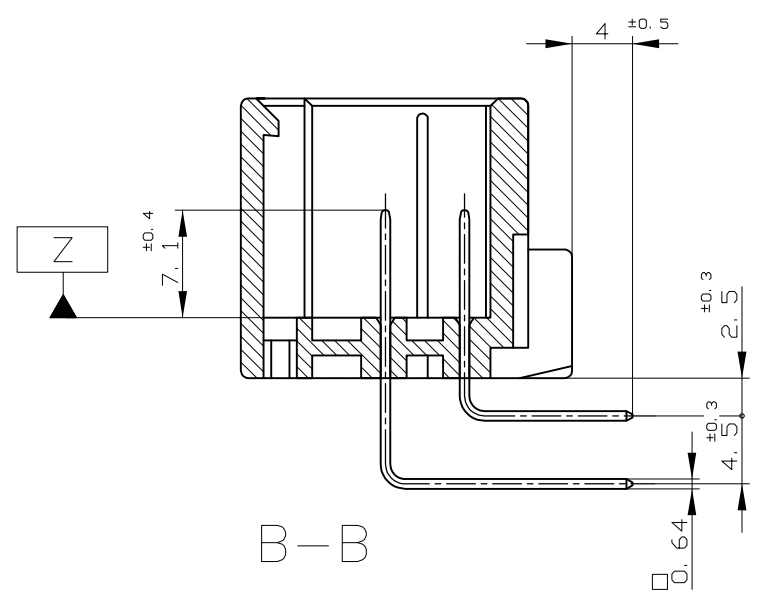
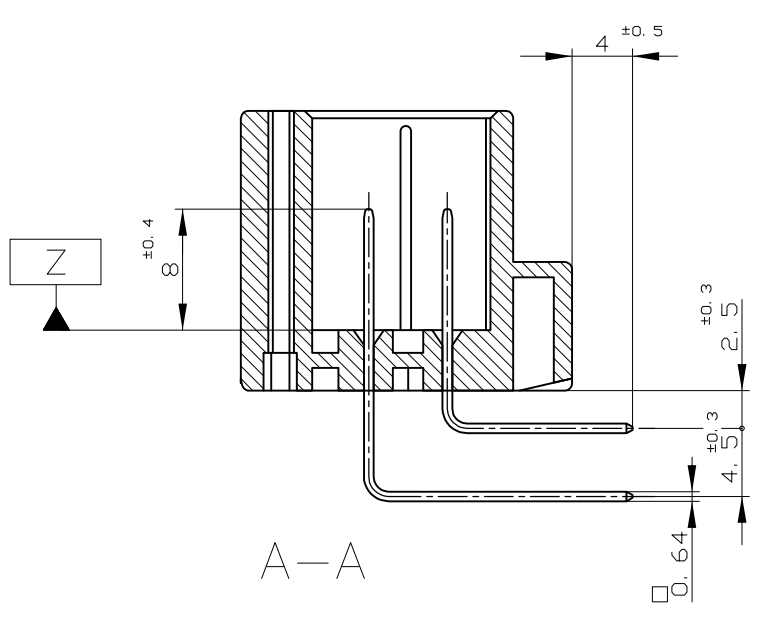
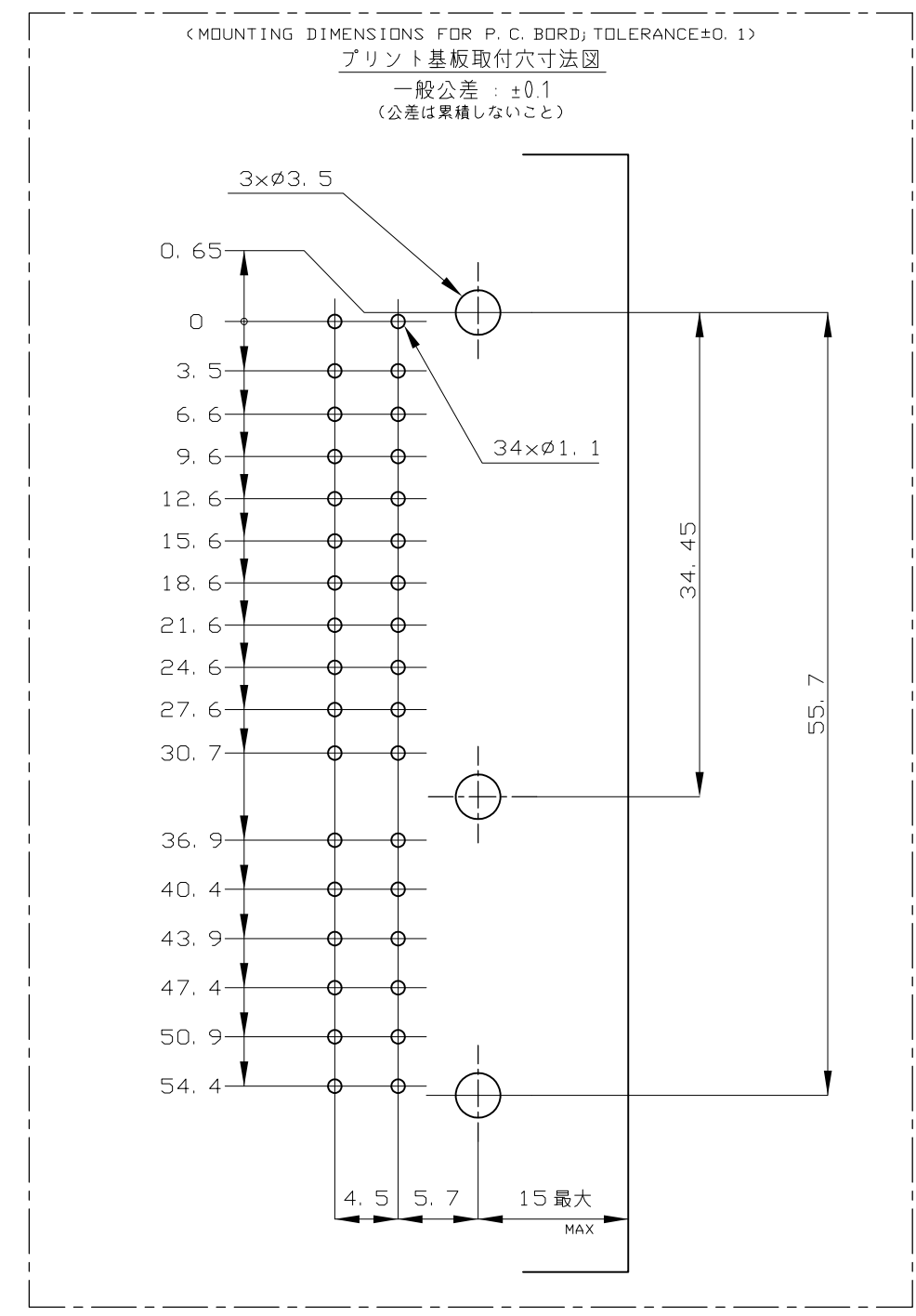
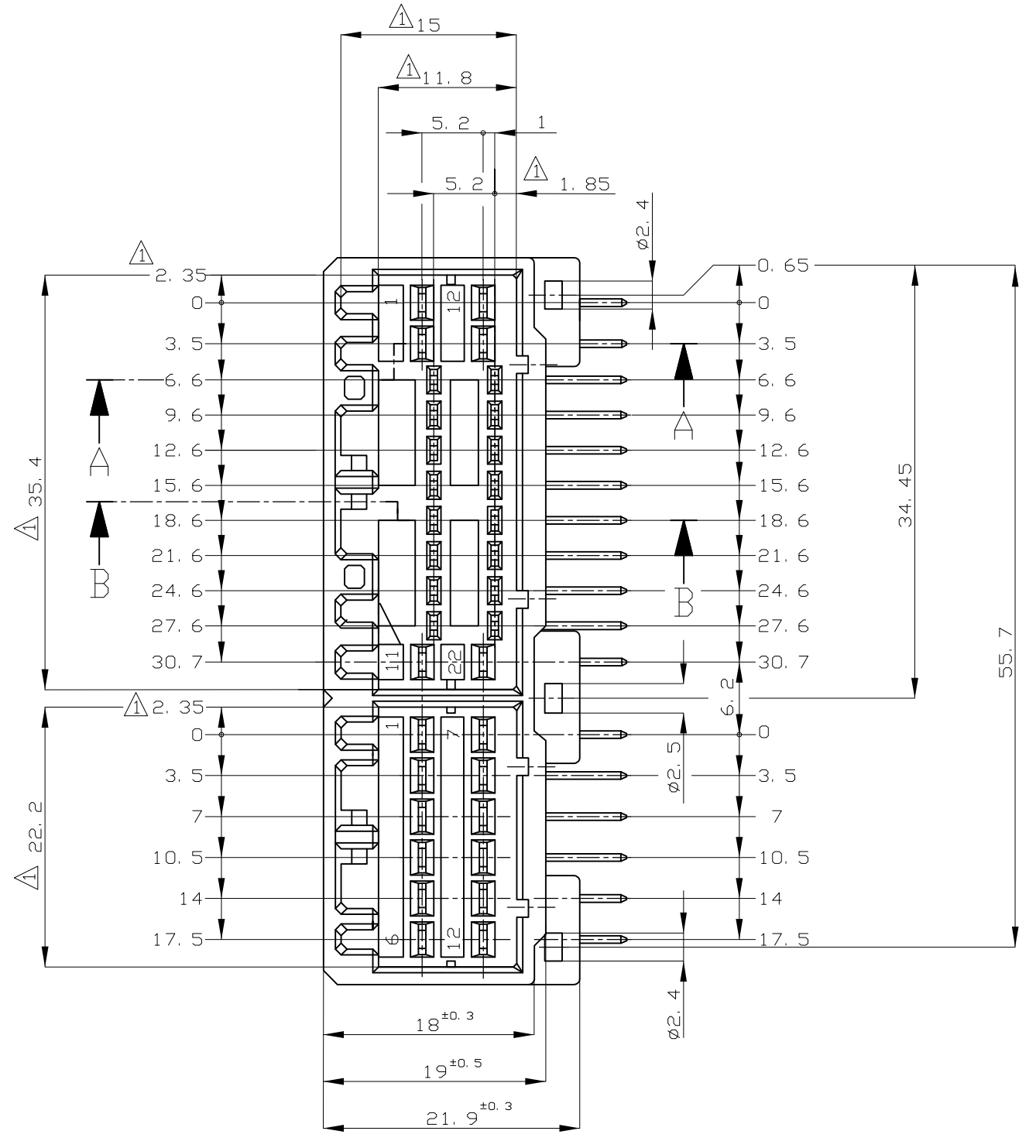
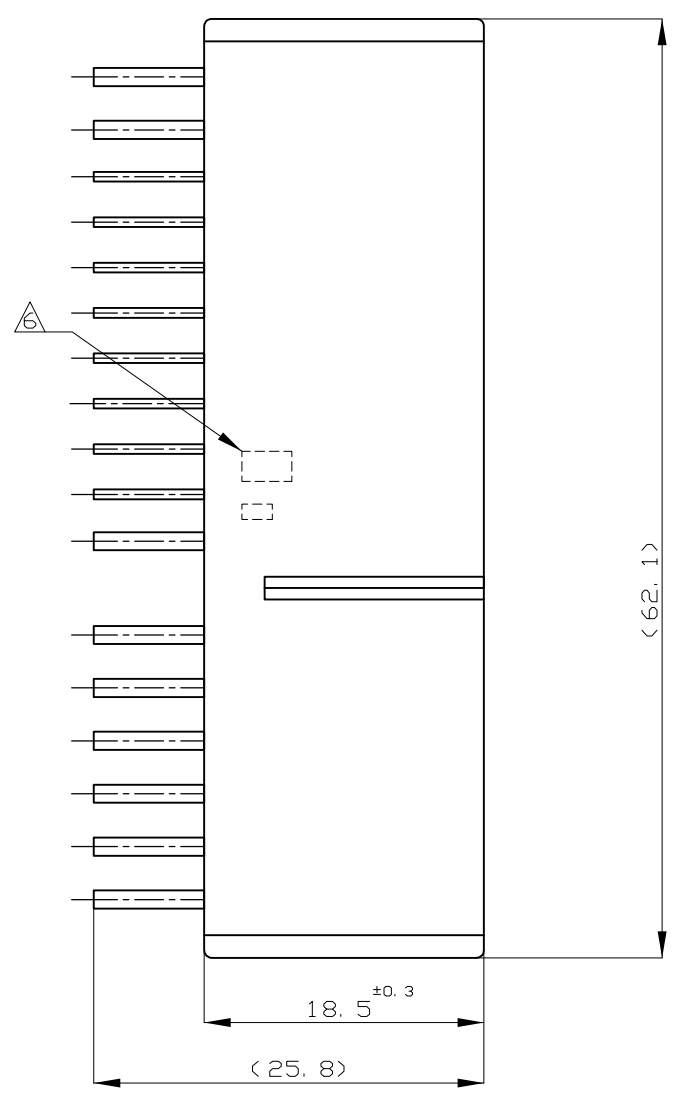
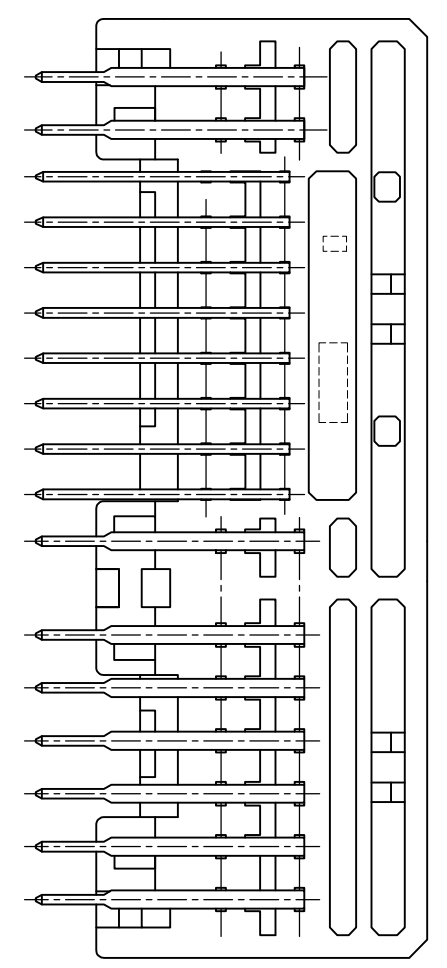
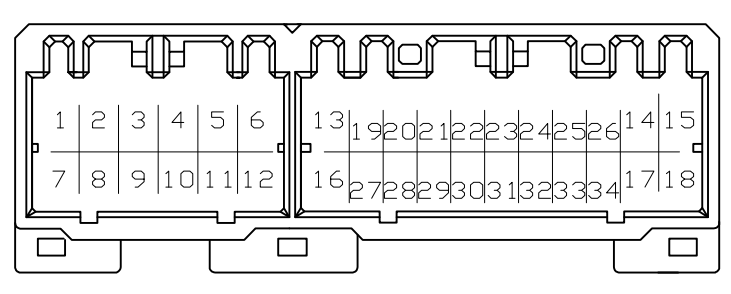


REVISIONS					
REV	DATE	DESCRIPTION	BY	CHK	APPROV
P10	REVISED	ECR-16-003280	06SEP2016	KF	HY



- 注記
- △ Z 面から2mmの範囲で測定
 - 嵌合相手ハウジング型 174515, 175442, 917989, 917978
 - 推奨取付ねじ: JIS B1115, B1122 ツッピンねじ, なべ2種
呼び径3,長さ6mm以下(挿付けトルク: 0.4N-m以下)
 - 適用製品規格番号: 108-5280, 108-5342
- △ 回路番号
- パワ回路 ① ~ ⑬
 シグナル回路 ⑭ ~ ⑳
- △ コンタクト仕上識別マーク



- NOTES; △ MUST BE KEPT BETWEEN Z AND 2
- THE MATING PLUG HSG. PART NUMBER; 174515, 175442, 917989, 917978
 - RECOMMENDED MOUNTING SCREW; 3mm DIA, 6mm LENGTH (MAX.)
PAN HEAD, CLASS 2 TAPPING SCREW SPECIFIED IN JIS B1115, B1122
(TIGHTENING TORQUE; 0.4N-m MAX.)
 - APPLICABLE PRODUCT SPEC NO. 108-5280, 108-5342
 - CIRCUIT NUMBER
POWER CIRCUIT NO. ① ~ ⑬
SIGNAL CIRCUIT NO. ⑭ ~ ⑳
 - △ MARKING FOR DISCERNMENT OF THE CONTACT FINISH

MODEL	TYPE	CONTACT FINISH	POWER CIRCUIT NO.	SIGNAL CIRCUIT NO.	COLOR	PART NUMBER
FJPI-7-175444-6	57	SELECTIVE-TIN (MATTE) PRE-TIN x 26	14, 17, 18	24~26, 32, 34	GRAY 灰色	7-175444-6
FJPI-3-175444-6	53	SELECTIVE-TIN (MATTE) PRE-TIN x 21	2~5	28~24, 29~32	GRAY 灰色	3-175444-6
FJPI-6-175444-1	56	SELECTIVE-TIN (MATTE) PRE-TIN x 26	-	19~22, 27~30	NATURAL 自然色	6-175444-1
FJPI-5-175444-9	55	SELECTIVE-TIN (MATTE) PRE-TIN x 26	4, 6, 9, 12	26, 28, 29, 34	LIGHT GRAY 淡灰色	5-175444-9
FJPI-5-175444-1	55	SELECTIVE-TIN (MATTE) PRE-TIN x 26	4, 6, 9, 12	26, 28, 29, 34	NATURAL 自然色	5-175444-1
FJPI-3-175444-2	53	SELECTIVE-TIN (MATTE) PRE-TIN x 21	2~5	28~24, 29~32	BLACK 黒色	3-175444-2
FJPI-2-175444-1	52	SELECTIVE-TIN (MATTE) PRE-TIN x 18	-	19~34	NATURAL 自然色	2-175444-1
FJPI-4-175444-6	54	SELECTIVE-TIN (MATTE) PRE-TIN x 26	-	20, 24, 26~28, 32~34	GRAY 灰色	4-175444-6
FJPI-3-175444-1	53	SELECTIVE-TIN (MATTE) PRE-TIN x 21	2~5	28~24, 29~32	NATURAL 自然色	3-175444-1
FJPI-7-175444-6	7	TIN-LEAD PRE-TIN x 26	14, 17, 18	24~26, 32, 34	GRAY 灰色	7-175444-6
FJPI-6-175444-1	6	TIN-LEAD PRE-TIN x 26	-	19~22, 27~30	NATURAL 自然色	6-175444-1
FJPI-5-175444-9	5	TIN-LEAD PRE-TIN x 26	4, 6, 9, 12	26, 28, 29, 34	LIGHT GRAY 淡灰色	5-175444-9
FJPI-5-175444-6	5	TIN-LEAD PRE-TIN x 26	4, 6, 9, 12	-	GRAY 灰色	5-175444-6
FJPI-5-175444-2	5	TIN-LEAD PRE-TIN x 26	4, 6, 9, 12	26, 28, 29, 34	BLACK 黒色	5-175444-2
FJPI-5-175444-1	5	TIN-LEAD PRE-TIN x 26	4, 6, 9, 12	26, 28, 29, 34	NATURAL 自然色	5-175444-1
FJPI-4-175444-6	4	TIN-LEAD PRE-TIN x 26	-	20, 24, 26~28, 32~34	GRAY 灰色	4-175444-6
FJPI-3-175444-6	3	TIN-LEAD PRE-TIN x 21	2~5	28~24, 29~32	GRAY 灰色	3-175444-6
FJPI-3-175444-1	3	TIN-LEAD PRE-TIN x 21	2~5	28~24, 29~32	NATURAL 自然色	3-175444-1
FJPI-2-175444-1	2	TIN-LEAD PRE-TIN x 18	-	19~34	NATURAL 自然色	2-175444-1
FJPI-175444-9	0	PRE-TIN x 34	-	-	GRAY 灰色	175444-9
FJPI-175444-8	0	PRE-TIN x 34	-	-	ORANGE オレンジ色	175444-8
FJPI-175444-6	0	PRE-TIN x 34	-	-	GRAY 灰色	175444-6
FJPI-175444-5	0	PRE-TIN x 34	-	-	BLUE 青色	175444-5
FJPI-175444-3	8	SELECTIVE-TIN (MATTE) PRE-TIN x 34	-	-	NATURAL 自然色	175444-3
FJPI-175444-2	0	PRE-TIN x 34	-	-	BLACK 黒色	175444-2
FJPI-175444-1	0	PRE-TIN x 34	-	-	NATURAL 自然色	175444-1

THIS DRAWING IS A CONTROLLED DOCUMENT.

DMN: M. KADOSAKI 120CT05
 CHK: T. SHINOHARA 120CT05
 APVD: K. BESTUJI 120CT05

STE TE Connectivity

34POSITION CAP HOUSING ASS'Y
 040/070 SERIES HYBRID I/O CONNECTOR

GENERAL TOLERANCE: DC<< 10: ±0.2, 10<< 30: ±0.25, 30<< 100: ±0.3, ANGLES: ±3°

MATERIAL: HOUSING: PBT, CONTACT: BRASS

FINISH: 仕上 見 TABLE

WEIGHT: 19 g

SCALE: 2:1

SHEET 1 of 1

CUSTOMER DRAWING