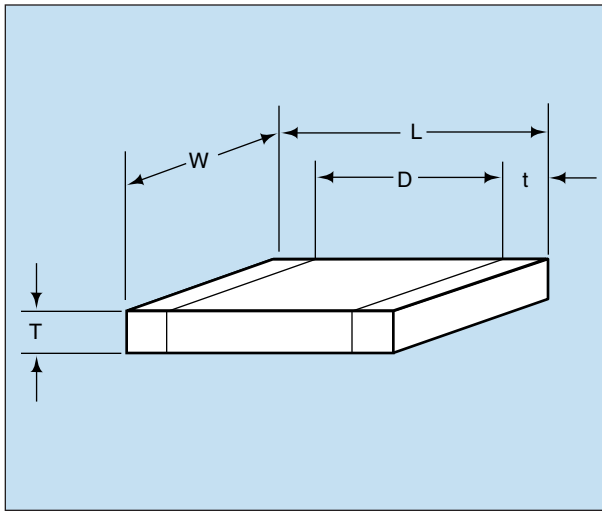


# MIL-PRF-55681/Chips

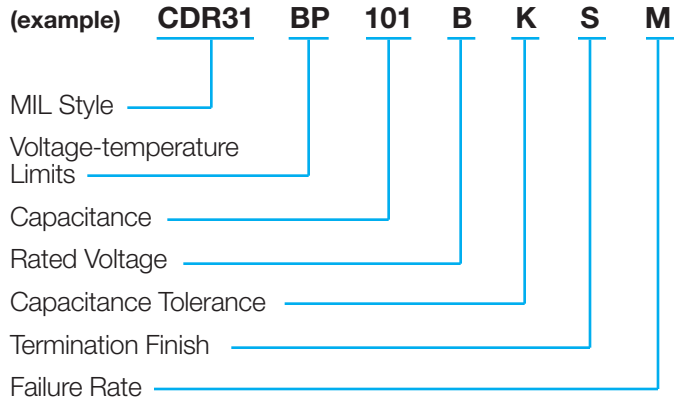
## Part Number Example

### CDR31 thru CDR35



## MILITARY DESIGNATION PER MIL-PRF-55681

### Part Number Example



NOTE: Contact factory for availability of Termination and Tolerance Options for Specific Part Numbers.

**MIL Style:** CDR31, CDR32, CDR33, CDR34, CDR35

#### Voltage Temperature Limits:

BP =  $0 \pm 30$  ppm/°C without voltage;  $0 \pm 30$  ppm/°C with rated voltage from -55°C to +125°C

BX =  $\pm 15\%$  without voltage; +15 -25% with rated voltage from -55°C to +125°C

**Capacitance:** Two digit figures followed by multiplier (number of zeros to be added) e.g., 101 = 100 pF

**Rated Voltage:** A = 50V, B = 100V

**Capacitance Tolerance:** B  $\pm .10$  pF, C  $\pm .25$  pF, D  $\pm .5$  pF, F  $\pm 1\%$ , J  $\pm 5\%$ , K  $\pm 10\%$ , M  $\pm 20\%$

#### Termination Finish:

M = Palladium Silver  
N = Silver Nickel Gold  
S = Solder-coated  
Y = 100% Tin

U = Base Metallization/Barrier Metal/Solder Coated\*  
W = Base Metallization/Barrier Metal/Tinned (Tin or Tin/Lead Alloy)

\*Solder shall have a melting point of 200°C or less.

**Failure Rate Level:** M = 1.0%, P = .1%, R = .01%, S = .001%

**Packaging:** Bulk is standard packaging. Tape and reel per RS481 is available upon request.

## CROSS REFERENCE: AVX/MIL-PRF-55681/CDR31 THRU CDR35

| Per MIL-PRF-55681 (Metric Sizes) | AVX Style | Length (L) (mm) | Width (W) (mm) | Thickness (T) | D   | Termination Band (t) |           |
|----------------------------------|-----------|-----------------|----------------|---------------|-----|----------------------|-----------|
|                                  |           |                 |                | Max. (mm)     |     | Min. (mm)            | Max. (mm) |
| CDR31                            | 0805      | 2.00            | 1.25           | 1.3           | .50 | .70                  | .30       |
| CDR32                            | 1206      | 3.20            | 1.60           | 1.3           | —   | .70                  | .30       |
| CDR33                            | 1210      | 3.20            | 2.50           | 1.5           | —   | .70                  | .30       |
| CDR34                            | 1812      | 4.50            | 3.20           | 1.5           | —   | .70                  | .30       |
| CDR35                            | 1825      | 4.50            | 6.40           | 1.5           | —   | .70                  | .30       |

# MIL-PRF-55681/Chips



## Military Part Number Identification CDR31

### CDR31 to MIL-PRF-55681/7

| Military Type Designation 1/     | Capacitance in pF | Capacitance tolerance | Rated temperature and voltage-temperature limits | WVDC |
|----------------------------------|-------------------|-----------------------|--|------|
| <b>AVX Style 0805/CDR31 (BP)</b> |                   |                       |  |      |
| CDR31BP1R0B---                   | 1.0               | B,C                   | BP   | 100  |
| CDR31BP1R1B---                   | 1.1               | B,C                   | BP   | 100  |
| CDR31BP1R2B---                   | 1.2               | B,C                   | BP   | 100  |
| CDR31BP1R3B---                   | 1.3               | B,C                   | BP   | 100  |
| CDR31BP1R5B---                   | 1.5               | B,C                   | BP   | 100  |
| CDR31BP1R6B---                   | 1.6               | B,C                   | BP   | 100  |
| CDR31BP1R8B---                   | 1.8               | B,C                   | BP   | 100  |
| CDR31BP2R0B---                   | 2.0               | B,C                   | BP   | 100  |
| CDR31BP2R2B---                   | 2.2               | B,C                   | BP   | 100  |
| CDR31BP2R4B---                   | 2.4               | B,C                   | BP   | 100  |
| CDR31BP2R7B---                   | 2.7               | B,C,D                 | BP   | 100  |
| CDR31BP3R0B---                   | 3.0               | B,C,D                 | BP   | 100  |
| CDR31BP3R3B---                   | 3.3               | B,C,D                 | BP   | 100  |
| CDR31BP3R6B---                   | 3.6               | B,C,D                 | BP   | 100  |
| CDR31BP3R9B---                   | 3.9               | B,C,D                 | BP   | 100  |
| CDR31BP4R3B---                   | 4.3               | B,C,D                 | BP   | 100  |
| CDR31BP4R7B---                   | 4.7               | B,C,D                 | BP   | 100  |
| CDR31BP5R1B---                   | 5.1               | B,C,D                 | BP   | 100  |
| CDR31BP5R6B---                   | 5.6               | B,C,D                 | BP   | 100  |
| CDR31BP6R2B---                   | 6.2               | B,C,D                 | BP   | 100  |
| CDR31BP6R8B---                   | 6.8               | B,C,D                 | BP   | 100  |
| CDR31BP7R5B---                   | 7.5               | B,C,D                 | BP   | 100  |
| CDR31BP8R2B---                   | 8.2               | B,C,D                 | BP   | 100  |
| CDR31BP9R1B---                   | 9.1               | B,C,D                 | BP   | 100  |
| CDR31BP100B---                   | 10                | F,J,K                 | BP   | 100  |
| CDR31BP110B---                   | 11                | F,J,K                 | BP   | 100  |
| CDR31BP120B---                   | 12                | F,J,K                 | BP   | 100  |
| CDR31BP130B---                   | 13                | F,J,K                 | BP   | 100  |
| CDR31BP150B---                   | 15                | F,J,K                 | BP   | 100  |
| CDR31BP160B---                   | 16                | F,J,K                 | BP   | 100  |
| CDR31BP180B---                   | 18                | F,J,K                 | BP   | 100  |
| CDR31BP200B---                   | 20                | F,J,K                 | BP   | 100  |
| CDR31BP220B---                   | 22                | F,J,K                 | BP   | 100  |
| CDR31BP240B---                   | 24                | F,J,K                 | BP   | 100  |
| CDR31BP270B---                   | 27                | F,J,K                 | BP   | 100  |
| CDR31BP300B---                   | 30                | F,J,K                 | BP   | 100  |
| CDR31BP330B---                   | 33                | F,J,K                 | BP   | 100  |
| CDR31BP360B---                   | 36                | F,J,K                 | BP   | 100  |
| CDR31BP390B---                   | 39                | F,J,K                 | BP   | 100  |
| CDR31BP430B---                   | 43                | F,J,K                 | BP   | 100  |
| CDR31BP470B---                   | 47                | F,J,K                 | BP   | 100  |
| CDR31BP510B---                   | 51                | F,J,K                 | BP   | 100  |
| CDR31BP560B---                   | 56                | F,J,K                 | BP   | 100  |
| CDR31BP620B---                   | 62                | F,J,K                 | BP   | 100  |
| CDR31BP680B---                   | 68                | F,J,K                 | BP   | 100  |
| CDR31BP750B---                   | 75                | F,J,K                 | BP   | 100  |
| CDR31BP820B---                   | 82                | F,J,K                 | BP   | 100  |
| CDR31BP910B---                   | 91                | F,J,K                 | BP   | 100  |

- Add appropriate failure rate
- Add appropriate termination finish
- Capacitance Tolerance

| Military Type Designation 1/            | Capacitance in pF | Capacitance tolerance | Rated temperature and voltage-temperature limits | WVDC |
|---|-------------------|-----------------------|--|------|
| <b>AVX Style 0805/CDR31 (BP) cont'd</b> |                   |                       |  |      |
| CDR31BP101B---                          | 100               | F,J,K                 | BP   | 100  |
| CDR31BP111B---                          | 110               | F,J,K                 | BP   | 100  |
| CDR31BP121B---                          | 120               | F,J,K                 | BP   | 100  |
| CDR31BP131B---                          | 130               | F,J,K                 | BP   | 100  |
| CDR31BP151B---                          | 150               | F,J,K                 | BP   | 100  |
| CDR31BP161B---                          | 160               | F,J,K                 | BP   | 100  |
| CDR31BP181B---                          | 180               | F,J,K                 | BP   | 100  |
| CDR31BP201B---                          | 200               | F,J,K                 | BP   | 100  |
| CDR31BP221B---                          | 220               | F,J,K                 | BP   | 100  |
| CDR31BP241B---                          | 240               | F,J,K                 | BP   | 100  |
| CDR31BP271B---                          | 270               | F,J,K                 | BP   | 100  |
| CDR31BP301B---                          | 300               | F,J,K                 | BP   | 100  |
| CDR31BP331B---                          | 330               | F,J,K                 | BP   | 100  |
| CDR31BP361B---                          | 360               | F,J,K                 | BP   | 100  |
| CDR31BP391B---                          | 390               | F,J,K                 | BP   | 100  |
| CDR31BP431B---                          | 430               | F,J,K                 | BP   | 100  |
| CDR31BP471B---                          | 470               | F,J,K                 | BP   | 100  |
| CDR31BP511A---                          | 510               | F,J,K                 | BP   | 50   |
| CDR31BP561A---                          | 560               | F,J,K                 | BP   | 50   |
| CDR31BP621A---                          | 620               | F,J,K                 | BP   | 50   |
| CDR31BP681A---                          | 680               | F,J,K                 | BP   | 50   |
| <b>AVX Style 0805/CDR31 (BX)</b>        |                   |                       |  |      |
| CDR31BX471B---                          | 470               | K,M                   | BX   | 100  |
| CDR31BX561B---                          | 560               | K,M                   | BX   | 100  |
| CDR31BX681B---                          | 680               | K,M                   | BX   | 100  |
| CDR31BX821B---                          | 820               | K,M                   | BX   | 100  |
| CDR31BX102B---                          | 1,000             | K,M                   | BX   | 100  |
| CDR31BX122B---                          | 1,200             | K,M                   | BX   | 100  |
| CDR31BX152B---                          | 1,500             | K,M                   | BX   | 100  |
| CDR31BX182B---                          | 1,800             | K,M                   | BX   | 100  |
| CDR31BX222B---                          | 2,200             | K,M                   | BX   | 100  |
| CDR31BX272B---                          | 2,700             | K,M                   | BX   | 100  |
| CDR31BX332B---                          | 3,300             | K,M                   | BX   | 100  |
| CDR31BX392B---                          | 3,900             | K,M                   | BX   | 100  |
| CDR31BX472B---                          | 4,700             | K,M                   | BX   | 100  |
| CDR31BX562A---                          | 5,600             | K,M                   | BX   | 50   |
| CDR31BX682A---                          | 6,800             | K,M                   | BX   | 50   |
| CDR31BX822A---                          | 8,200             | K,M                   | BX   | 50   |
| CDR31BX103A---                          | 10,000            | K,M                   | BX   | 50   |
| CDR31BX123A---                          | 12,000            | K,M                   | BX   | 50   |
| CDR31BX153A---                          | 15,000            | K,M                   | BX   | 50   |
| CDR31BX183A---                          | 18,000            | K,M                   | BX   | 50   |

- Add appropriate failure rate
- Add appropriate termination finish
- Capacitance Tolerance

1/ The complete part number will include additional symbols to indicate capacitance tolerance, termination and failure rate level.



# MIL-PRF-55681/Chips



## Military Part Number Identification CDR32

### CDR32 to MIL-PRF-55681/8

| Military Type Designation <sup>1/</sup> | Capacitance in pF | Capacitance tolerance | Rated temperature and voltage-temperature limits | WVDC |
|---|-------------------|-----------------------|--|------|
| <b>AVX Style 1206/CDR32 (BP)</b>        |                   |                       |  |      |
| CDR32BP1R0B---                          | 1.0               | B,C                   | BP   | 100  |
| CDR32BP1R1B---                          | 1.1               | B,C                   | BP   | 100  |
| CDR32BP1R2B---                          | 1.2               | B,C                   | BP   | 100  |
| CDR32BP1R3B---                          | 1.3               | B,C                   | BP   | 100  |
| CDR32BP1R5B---                          | 1.5               | B,C                   | BP   | 100  |
| CDR32BP1R6B---                          | 1.6               | B,C                   | BP   | 100  |
| CDR32BP1R8B---                          | 1.8               | B,C                   | BP   | 100  |
| CDR32BP2R0B---                          | 2.0               | B,C                   | BP   | 100  |
| CDR32BP2R2B---                          | 2.2               | B,C                   | BP   | 100  |
| CDR32BP2R4B---                          | 2.4               | B,C                   | BP   | 100  |
| CDR32BP2R7B---                          | 2.7               | B,C,D                 | BP   | 100  |
| CDR32BP3R0B---                          | 3.0               | B,C,D                 | BP   | 100  |
| CDR32BP3R3B---                          | 3.3               | B,C,D                 | BP   | 100  |
| CDR32BP3R6B---                          | 3.6               | B,C,D                 | BP   | 100  |
| CDR32BP3R9B---                          | 3.9               | B,C,D                 | BP   | 100  |
| CDR32BP4R3B---                          | 4.3               | B,C,D                 | BP   | 100  |
| CDR32BP4R7B---                          | 4.7               | B,C,D                 | BP   | 100  |
| CDR32BP5R1B---                          | 5.1               | B,C,D                 | BP   | 100  |
| CDR32BP5R6B---                          | 5.6               | B,C,D                 | BP   | 100  |
| CDR32BP6R2B---                          | 6.2               | B,C,D                 | BP   | 100  |
| CDR32BP6R8B---                          | 6.8               | B,C,D                 | BP   | 100  |
| CDR32BP7R5B---                          | 7.5               | B,C,D                 | BP   | 100  |
| CDR32BP8R2B---                          | 8.2               | B,C,D                 | BP   | 100  |
| CDR32BP9R1B---                          | 9.1               | B,C,D                 | BP   | 100  |
| CDR32BP100B---                          | 10                | F,J,K                 | BP   | 100  |
| CDR32BP110B---                          | 11                | F,J,K                 | BP   | 100  |
| CDR32BP120B---                          | 12                | F,J,K                 | BP   | 100  |
| CDR32BP130B---                          | 13                | F,J,K                 | BP   | 100  |
| CDR32BP150B---                          | 15                | F,J,K                 | BP   | 100  |
| CDR32BP160B---                          | 16                | F,J,K                 | BP   | 100  |
| CDR32BP180B---                          | 18                | F,J,K                 | BP   | 100  |
| CDR32BP200B---                          | 20                | F,J,K                 | BP   | 100  |
| CDR32BP220B---                          | 22                | F,J,K                 | BP   | 100  |
| CDR32BP240B---                          | 24                | F,J,K                 | BP   | 100  |
| CDR32BP270B---                          | 27                | F,J,K                 | BP   | 100  |
| CDR32BP300B---                          | 30                | F,J,K                 | BP   | 100  |
| CDR32BP330B---                          | 33                | F,J,K                 | BP   | 100  |
| CDR32BP360B---                          | 36                | F,J,K                 | BP   | 100  |
| CDR32BP390B---                          | 39                | F,J,K                 | BP   | 100  |
| CDR32BP430B---                          | 43                | F,J,K                 | BP   | 100  |
| CDR32BP470B---                          | 47                | F,J,K                 | BP   | 100  |
| CDR32BP510B---                          | 51                | F,J,K                 | BP   | 100  |
| CDR32BP560B---                          | 56                | F,J,K                 | BP   | 100  |
| CDR32BP620B---                          | 62                | F,J,K                 | BP   | 100  |
| CDR32BP680B---                          | 68                | F,J,K                 | BP   | 100  |
| CDR32BP750B---                          | 75                | F,J,K                 | BP   | 100  |
| CDR32BP820B---                          | 82                | F,J,K                 | BP   | 100  |
| CDR32BP910B---                          | 91                | F,J,K                 | BP   | 100  |

- Add appropriate failure rate
- Add appropriate termination finish
- Capacitance Tolerance

| Military Type Designation <sup>1/</sup> | Capacitance in pF | Capacitance tolerance | Rated temperature and voltage-temperature limits | WVDC |
|---|-------------------|-----------------------|--|------|
| <b>AVX Style 1206/CDR32 (BP) cont'd</b> |                   |                       |  |      |
| CDR32BP101B---                          | 100               | F,J,K                 | BP   | 100  |
| CDR32BP111B---                          | 110               | F,J,K                 | BP   | 100  |
| CDR32BP121B---                          | 120               | F,J,K                 | BP   | 100  |
| CDR32BP131B---                          | 130               | F,J,K                 | BP   | 100  |
| CDR32BP151B---                          | 150               | F,J,K                 | BP   | 100  |
| CDR32BP161B---                          | 160               | F,J,K                 | BP   | 100  |
| CDR32BP181B---                          | 180               | F,J,K                 | BP   | 100  |
| CDR32BP201B---                          | 200               | F,J,K                 | BP   | 100  |
| CDR32BP221B---                          | 220               | F,J,K                 | BP   | 100  |
| CDR32BP241B---                          | 240               | F,J,K                 | BP   | 100  |
| CDR32BP271B---                          | 270               | F,J,K                 | BP   | 100  |
| CDR32BP301B---                          | 300               | F,J,K                 | BP   | 100  |
| CDR32BP331B---                          | 330               | F,J,K                 | BP   | 100  |
| CDR32BP361B---                          | 360               | F,J,K                 | BP   | 100  |
| CDR32BP391B---                          | 390               | F,J,K                 | BP   | 100  |
| CDR32BP431B---                          | 430               | F,J,K                 | BP   | 100  |
| CDR32BP471B---                          | 470               | F,J,K                 | BP   | 100  |
| CDR32BP511B---                          | 510               | F,J,K                 | BP   | 100  |
| CDR32BP561B---                          | 560               | F,J,K                 | BP   | 100  |
| CDR32BP621B---                          | 620               | F,J,K                 | BP   | 100  |
| CDR32BP681B---                          | 680               | F,J,K                 | BP   | 100  |
| CDR32BP751B---                          | 750               | F,J,K                 | BP   | 100  |
| CDR32BP821B---                          | 820               | F,J,K                 | BP   | 100  |
| CDR32BP911B---                          | 910               | F,J,K                 | BP   | 100  |
| CDR32BP102B---                          | 1,000             | F,J,K                 | BP   | 100  |
| CDR32BP112A---                          | 1,100             | F,J,K                 | BP   | 50   |
| CDR32BP122A---                          | 1,200             | F,J,K                 | BP   | 50   |
| CDR32BP132A---                          | 1,300             | F,J,K                 | BP   | 50   |
| CDR32BP152A---                          | 1,500             | F,J,K                 | BP   | 50   |
| CDR32BP162A---                          | 1,600             | F,J,K                 | BP   | 50   |
| CDR32BP182A---                          | 1,800             | F,J,K                 | BP   | 50   |
| CDR32BP202A---                          | 2,000             | F,J,K                 | BP   | 50   |
| CDR32BP222A---                          | 2,200             | F,J,K                 | BP   | 50   |
| <b>AVX Style 1206/CDR32 (BX)</b>        |                   |                       |  |      |
| CDR32BX472B---                          | 4,700             | K,M                   | BX   | 100  |
| CDR32BX562B---                          | 5,600             | K,M                   | BX   | 100  |
| CDR32BX682B---                          | 6,800             | K,M                   | BX   | 100  |
| CDR32BX822B---                          | 8,200             | K,M                   | BX   | 100  |
| CDR32BX103B---                          | 10,000            | K,M                   | BX   | 100  |
| CDR32BX123B---                          | 12,000            | K,M                   | BX   | 100  |
| CDR32BX153B---                          | 15,000            | K,M                   | BX   | 100  |
| CDR32BX183A---                          | 18,000            | K,M                   | BX   | 50   |
| CDR32BX223A---                          | 22,000            | K,M                   | BX   | 50   |
| CDR32BX273A---                          | 27,000            | K,M                   | BX   | 50   |
| CDR32BX333A---                          | 33,000            | K,M                   | BX   | 50   |
| CDR32BX393A---                          | 39,000            | K,M                   | BX   | 50   |

- Add appropriate failure rate
- Add appropriate termination finish
- Capacitance Tolerance

<sup>1/</sup> The complete part number will include additional symbols to indicate capacitance tolerance, termination and failure rate level.

### CDR33/34/35 to MIL-PRF-55681/9/10/11

| Military Type Designation <sup>1/</sup> | Capacitance in pF | Capacitance tolerance | Rated temperature and voltage-temperature limits | WVDC |
|---|-------------------|-----------------------|--|------|
| <b>AVX Style 1210/CDR33 (BP)</b>        |                   |                       |  |      |
| CDR33BP102B---                          | 1,000             | F,J,K                 | BP   | 100  |
| CDR33BP112B---                          | 1,100             | F,J,K                 | BP   | 100  |
| CDR33BP122B---                          | 1,200             | F,J,K                 | BP   | 100  |
| CDR33BP132B---                          | 1,300             | F,J,K                 | BP   | 100  |
| CDR33BP152B---                          | 1,500             | F,J,K                 | BP   | 100  |
| CDR33BP162B---                          | 1,600             | F,J,K                 | BP   | 100  |
| CDR33BP182B---                          | 1,800             | F,J,K                 | BP   | 100  |
| CDR33BP202B---                          | 2,000             | F,J,K                 | BP   | 100  |
| CDR33BP222B---                          | 2,200             | F,J,K                 | BP   | 100  |
| CDR33BP242A---                          | 2,400             | F,J,K                 | BP   | 50   |
| CDR33BP272A---                          | 2,700             | F,J,K                 | BP   | 50   |
| CDR33BP302A---                          | 3,000             | F,J,K                 | BP   | 50   |
| CDR33BP332A---                          | 3,300             | F,J,K                 | BP   | 50   |
| <b>AVX Style 1210/CDR33 (BX)</b>        |                   |                       |  |      |
| CDR33BX153B---                          | 15,000            | K,M                   | BX   | 100  |
| CDR33BX183B---                          | 18,000            | K,M                   | BX   | 100  |
| CDR33BX223B---                          | 22,000            | K,M                   | BX   | 100  |
| CDR33BX273B---                          | 27,000            | K,M                   | BX   | 100  |
| CDR33BX393A---                          | 39,000            | K,M                   | BX   | 50   |
| CDR33BX473A---                          | 47,000            | K,M                   | BX   | 50   |
| CDR33BX563A---                          | 56,000            | K,M                   | BX   | 50   |
| CDR33BX683A---                          | 68,000            | K,M                   | BX   | 50   |
| CDR33BX823A---                          | 82,000            | K,M                   | BX   | 50   |
| CDR33BX104A---                          | 100,000           | K,M                   | BX   | 50   |
| <b>AVX Style 1812/CDR34 (BP)</b>        |                   |                       |  |      |
| CDR34BP222B---                          | 2,200             | F,J,K                 | BP   | 100  |
| CDR34BP242B---                          | 2,400             | F,J,K                 | BP   | 100  |
| CDR34BP272B---                          | 2,700             | F,J,K                 | BP   | 100  |
| CDR34BP302B---                          | 3,000             | F,J,K                 | BP   | 100  |
| CDR34BP332B---                          | 3,300             | F,J,K                 | BP   | 100  |
| CDR34BP362B---                          | 3,600             | F,J,K                 | BP   | 100  |
| CDR34BP392B---                          | 3,900             | F,J,K                 | BP   | 100  |
| CDR34BP432B---                          | 4,300             | F,J,K                 | BP   | 100  |
| CDR34BP472B---                          | 4,700             | F,J,K                 | BP   | 100  |
| CDR34BP512A---                          | 5,100             | F,J,K                 | BP   | 50   |
| CDR34BP562A---                          | 5,600             | F,J,K                 | BP   | 50   |
| CDR34BP622A---                          | 6,200             | F,J,K                 | BP   | 50   |
| CDR34BP682A---                          | 6,800             | F,J,K                 | BP   | 50   |
| CDR34BP752A---                          | 7,500             | F,J,K                 | BP   | 50   |
| CDR34BP822A---                          | 8,200             | F,J,K                 | BP   | 50   |
| CDR34BP912A---                          | 9,100             | F,J,K                 | BP   | 50   |
| CDR34BP103A---                          | 10,000            | F,J,K                 | BP   | 50   |

- Add appropriate failure rate
- Add appropriate termination finish
- Capacitance Tolerance

| Military Type Designation <sup>1/</sup> | Capacitance in pF | Capacitance tolerance | Rated temperature and voltage-temperature limits | WVDC |
|---|-------------------|-----------------------|--|------|
| <b>AVX Style 1812/CDR34 (BX)</b>        |                   |                       |  |      |
| CDR34BX273B---                          | 27,000            | K,M                   | BX   | 100  |
| CDR34BX333B---                          | 33,000            | K,M                   | BX   | 100  |
| CDR34BX393B---                          | 39,000            | K,M                   | BX   | 100  |
| CDR34BX473B---                          | 47,000            | K,M                   | BX   | 100  |
| CDR34BX563B---                          | 56,000            | K,M                   | BX   | 100  |
| CDR34BX104A---                          | 100,000           | K,M                   | BX   | 50   |
| CDR34BX124A---                          | 120,000           | K,M                   | BX   | 50   |
| CDR34BX154A---                          | 150,000           | K,M                   | BX   | 50   |
| CDR34BX184A---                          | 180,000           | K,M                   | BX   | 50   |
| <b>AVX Style 1825/CDR35 (BP)</b>        |                   |                       |  |      |
| CDR35BP472B---                          | 4,700             | F,J,K                 | BP   | 100  |
| CDR35BP512B---                          | 5,100             | F,J,K                 | BP   | 100  |
| CDR35BP562B---                          | 5,600             | F,J,K                 | BP   | 100  |
| CDR35BP622B---                          | 6,200             | F,J,K                 | BP   | 100  |
| CDR35BP682B---                          | 6,800             | F,J,K                 | BP   | 100  |
| CDR35BP752B---                          | 7,500             | F,J,K                 | BP   | 100  |
| CDR35BP822B---                          | 8,200             | F,J,K                 | BP   | 100  |
| CDR35BP912B---                          | 9,100             | F,J,K                 | BP   | 100  |
| CDR35BP103B---                          | 10,000            | F,J,K                 | BP   | 100  |
| CDR35BP113A---                          | 11,000            | F,J,K                 | BP   | 50   |
| CDR35BP123A---                          | 12,000            | F,J,K                 | BP   | 50   |
| CDR35BP133A---                          | 13,000            | F,J,K                 | BP   | 50   |
| CDR35BP153A---                          | 15,000            | F,J,K                 | BP   | 50   |
| CDR35BP163A---                          | 16,000            | F,J,K                 | BP   | 50   |
| CDR35BP183A---                          | 18,000            | F,J,K                 | BP   | 50   |
| CDR35BP203A---                          | 20,000            | F,J,K                 | BP   | 50   |
| CDR35BP223A---                          | 22,000            | F,J,K                 | BP   | 50   |
| <b>AVX Style 1825/CDR35 (BX)</b>        |                   |                       |  |      |
| CDR35BX563B---                          | 56,000            | K,M                   | BX   | 100  |
| CDR35BX683B---                          | 68,000            | K,M                   | BX   | 100  |
| CDR35BX823B---                          | 82,000            | K,M                   | BX   | 100  |
| CDR35BX104B---                          | 100,000           | K,M                   | BX   | 100  |
| CDR35BX124B---                          | 120,000           | K,M                   | BX   | 100  |
| CDR35BX154B---                          | 150,000           | K,M                   | BX   | 100  |
| CDR35BX184A---                          | 180,000           | K,M                   | BX   | 50   |
| CDR35BX224A---                          | 220,000           | K,M                   | BX   | 50   |
| CDR35BX274A---                          | 270,000           | K,M                   | BX   | 50   |
| CDR35BX334A---                          | 330,000           | K,M                   | BX   | 50   |
| CDR35BX394A---                          | 390,000           | K,M                   | BX   | 50   |
| CDR35BX474A---                          | 470,000           | K,M                   | BX   | 50   |

- Add appropriate failure rate
- Add appropriate termination finish
- Capacitance Tolerance

<sup>1/</sup> The complete part number will include additional symbols to indicate capacitance tolerance, termination and failure rate level.