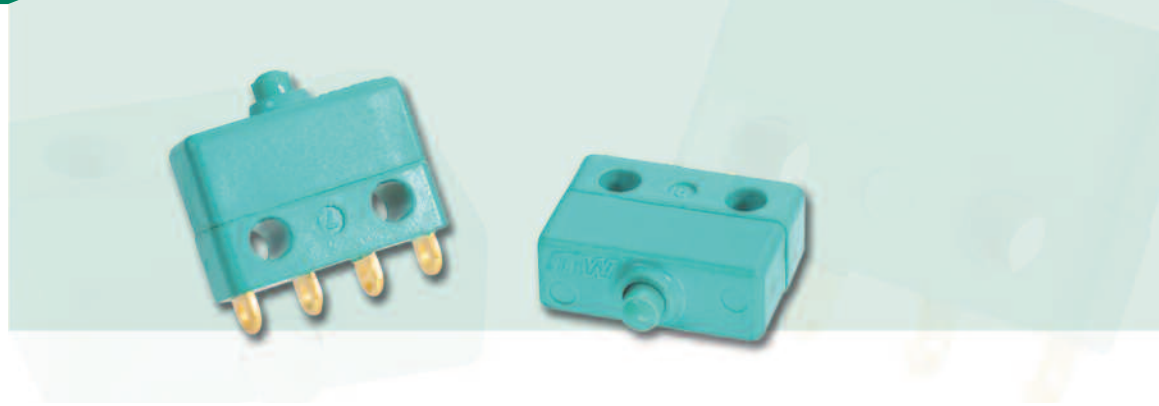


### SERIES 18:



ACTUAL SIZE



### ULTRA SUB-MINIATURE 7 AMP DOUBLE-BREAK SNAP ACTION SWITCHES

Series 18 switches feature the Butterfly® double-break momentary switch mechanism. This very small package can carry a full 7 amp load (or low current load).

#### KEY FEATURES:

- Gold contacts
- Solder terminals
- Meets MIL-S-8805/76
- UL recognized and CSA certified: 7 amps @ 125/250 VAC
- Lever and roller actuator are available

#### APPLICATIONS

- Industrial valve controls
- Aircraft rotary actuator
- Aircraft linear actuator
- Float control pumps
- Spool valves
- Medical equipment
- Aircraft fuel valves
- Pressure switches

#### ORDERING INFORMATION:

##### Switches

Part Number	Contacts	Terminals	RoHS Compliant
<b>18-40421</b>	Gold Plated	End Solder	✓
<b>18-488051</b> (MS27257-1)	Gold Plated	End Solder	✓

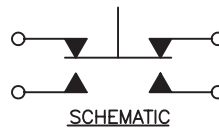
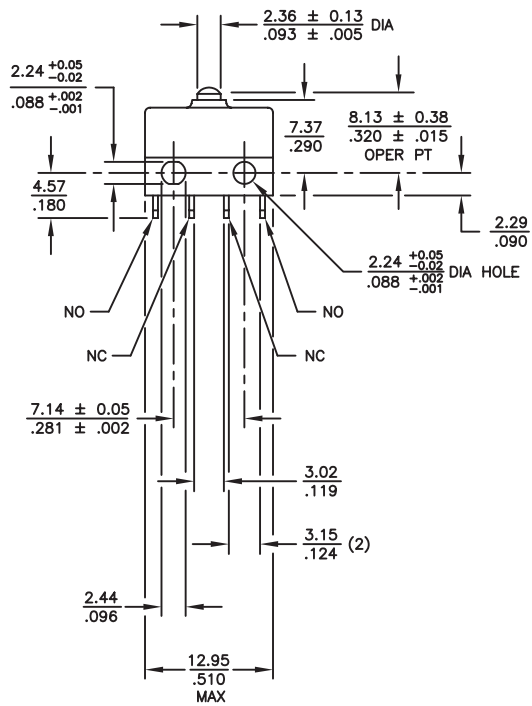
##### actuator (see page 68 for additional specifications)

Part Number	Oper. Force	Release Force	Pretravel	Overtravel	Movement Diff.	Operating Point
<b>78-3000</b> Spring Lever	6 ± 2 oz	2 oz min	.125 max	.030 min	.030 ± .015	.325 ± .030
<b>78-3100</b> Roller Lever	6 ± 2 oz	2 oz min	.125 max	.030 min	.035 ± .015	.560±.030

#### STANDARDS / AGENCY / RATINGS:



## BASIC SWITCH



## MECHANICAL / ELECTRICAL CHARACTERISTICS:

- Pretravel:**  
0.030 inches max
- Overtravel:**  
0.006 inches min
- Operating Force:**  
5 oz + 3 oz - 2 oz
- Release Force:**  
1.5 oz min
- Movement Differential:**  
0.015 inches  $\pm$  0.005
- Operating Point:**  
0.320 inches  $\pm$  0.015  
(from mounting hole centers)
- Circuit:**  
SPDT-DB (Form Z)
- MIL-PRF-8805/77 QPL listed:**  
18-488051 MS27257-1
- Electrical Rating @ 28VDC:**

Circuitry	Current
2 Circuit (SPDT-DB)	5 amp Res 3 amp Ind*
1 Circuit (SPST)	8 amp Res 7 amp Ind*

\*L/R = .026

