

**PLEASE CHECK WWW.MOLEX.COM FOR LATEST PART INFORMATION**

**Part Number:** [0190020046](#)  
**Status:** **Active**  
**Description:** Fully Insulated Quick Disconnect, Female, Expanded Flare, Oval Barrel

**Documents:**

[Drawing \(PDF\)](#) [RoHS Certificate of Compliance \(PDF\)](#)

**General**

Product Family Quick Disconnects  
 Series [19002](#)  
 Product Name Avikrimp™  
 Type Quick Disconnect

**Physical**

Barrel Type Closed  
 Flammability 94V-2  
 Gender Female  
 Glow-Wire Compliant No  
 Insulation Nylon (PA)  
 Lock to Mating Part None  
 Material - Metal Brass  
 Orientation Straight  
 Packaging Type Reel  
 Polarized to Mating Part No  
 Tab Thickness 0.81mm (.032")  
 Tab Width 6.35mm (.250")  
 Temperature Range - Operating -65°C to +105°C  
 Wire Insulation Diameter 6.22mm (.245") max.  
 Wire Size AWG 10  
 Wire Size AWG 12  
 Wire Size mm² 3.30 - 5.00

**Electrical**

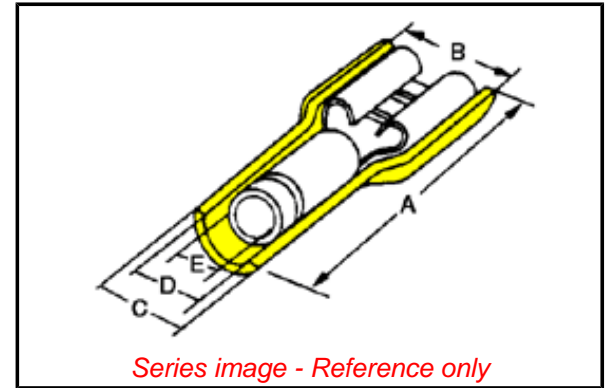
CSA LR18689  
 UL E79133  
 Voltage - Maximum 300V

**Material Info**

Old Part Number C-5265Z

**Reference - Drawing Numbers**

Sales Drawing SD-19002-005



**EU RoHS**

**ELV and RoHS Compliant**  
**REACH SVHC**  
 Not Reviewed  
**Halogen-Free Status**  
 Not Reviewed

**China RoHS**



**Need more information on product environmental compliance?**

Email [productcompliance@molex.com](mailto:productcompliance@molex.com)  
 Please visit the [Contact Us](#) section for any non-product compliance questions.

**Search Parts in this Series**

[19002 Series](#)

**Use With**

[19001-0010](#) , [19001-0011](#)

**Application Tooling | FAQ**

*Tooling specifications and manuals are found by selecting the products below. Crimp Height Specifications are then contained in the Application Tooling Specification document.*

**Global**

Description	Product #
Crimp Dies for the ASP-202 Air Crimping Press for Metal Strip Terminals	<a href="#">0192870109</a>
Mini-Mac™ Applicator	<a href="#">0638812200</a>