

PLEASE CHECK WWW.MOLEX.COM FOR LATEST PART INFORMATION

Part Number: **0190190054**
Status: **Active**
Description: Avikrimp™ Quick Disconnect, Female, for 12-14 (3.30-2.00) Wire, Mylar Tape, Tab 6.35mm (.250") x 0.81mm (.032")

Documents:

[Drawing \(PDF\)](#)

[RoHS Certificate of Compliance \(PDF\)](#)

General

Product Family Quick Disconnects
 Series 19019
 Product Name Avikrimp™
 Type Quick Disconnect

Physical

Barrel Type Closed
 Flammability 94V-0
 Gender Female
 Glow-Wire Compliant No
 Insulation Nylon (PA)
 Lock to Mating Part None
 Material - Metal Brass
 Orientation Straight
 Packaging Type Adhesive Tape on Reel
 Polarized to Mating Part No
 Tab Thickness 0.81mm (.032")
 Tab Width 6.35mm (.250")
 Temperature Range - Operating -65°C to +105°C
 Wire Insulation Diameter 4.30mm (.170") max.
 Wire Size AWG 12
 Wire Size AWG 14
 Wire Size mm² 2.00 - 3.30

Electrical

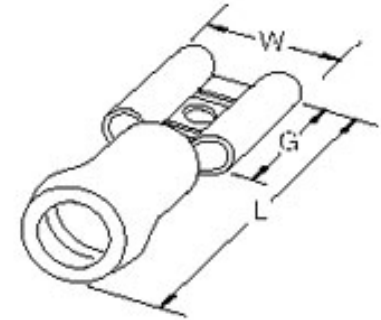
CSA LR18689
 UL E79133
 Voltage - Maximum 300V

Material Info

Old Part Number P-8142T

Reference - Drawing Numbers

Sales Drawing SD-19019-001



Series image - Reference only

EU RoHS

ELV and RoHS Compliant

REACH SVHC

Not Reviewed

Halogen-Free

Status

Not Reviewed

Need more information on product environmental compliance?

Email productcompliance@molex.com
 Please visit the [Contact Us](#) section for any non-product compliance questions.

China RoHS



Search Parts in this Series

19019 Series

Application Tooling | FAQ

Tooling specifications and manuals are found by selecting the products below. Crimp Height Specifications are then contained in the Application Tooling Specification document.

Global

Description	Product #
Crimp Dies for MTA-100 Tape Applicator used in 3BF Press, MTA-105 Tape Applicator used in TM-2000™ Press, and ATP-301 Air Crimping Press for Mylar Tape Mounted Terminals Mini-Mac™ Applicator	<u>0192880254</u> <u>0638853100</u>

PLEASE CHECK WWW.MOLEX.COM FOR LATEST PART INFORMATION