

PLEASE CHECK WWW.MOLEX.COM FOR LATEST PART INFORMATION

Part Number: [0194190007](#)
Status: **Active**
Overview: MX150L™ Sealed Connector System
Description: MX150L™ 2 Circuit Plug for 14-16 AWG Wire

Documents:

[3D Model](#) [Product Specification PS-19417-001 \(PDF\)](#)
[Packaging Specification \(PDF\)](#) [RoHS Certificate of Compliance \(PDF\)](#)
[Drawing \(PDF\)](#)

General

Product Family	Crimp Housings
Series	19419
Overview	MX150L™ Sealed Connector System
Product Literature Order No	987650-2181
Product Name	MX150L™

Physical

Circuits (maximum)	2
Flammability	94V-0
Gender	Male
Glow-Wire Compliant	No
Lock to Mating Part	Yes
Number of Rows	1
Packaging Type	Bag
Panel Mount	No
Pitch - Mating Interface (in)	0.230 In
Pitch - Mating Interface (mm)	5.84 mm
Polarized to Mating Part	Yes
Stackable	No
Temperature Range - Operating	-40°C to +125°C

Electrical

CSA	LR18689
Current - Maximum	18A
UL	E152602

Material Info

Reference - Drawing Numbers

Product Specification	PS-19417-001
Sales Drawing	SD-19419-002

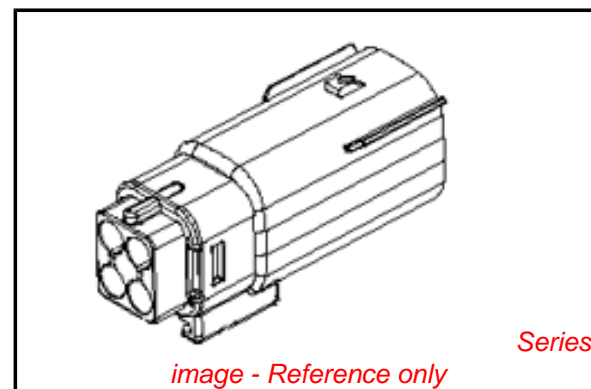


image - Reference only

EU RoHS

**ELV and RoHS
Compliant**
REACH SVHC
 Not Reviewed
Halogen-Free
Status
Not Reviewed

China RoHS



**Need more information on product
environmental compliance?**

Email productcompliance@molex.com
 For a multiple part number RoHS Certificate of
 Compliance, [click here](#)

Please visit the [Contact Us](#) section for any
 non-product compliance questions.

Search Parts in this Series

[19419Series](#)

Mates With

[19418 Receptacle Assemblies](#)

Use With

[19417 Male Crimp Terminals](#)