

**PLEASE CHECK WWW.MOLEX.COM FOR LATEST PART INFORMATION**

**Part Number:** [0039014032](#)  
**Status:** **Active**  
**Overview:** [Mini-Fit Jr.™](#)  
**Description:** 4.20mm (.165") Pitch Mini-Fit Jr.™ Plug Housing, Single Row, with Panel Mount Ears, PA Polyamide Nylon 6/6, UL 94V-2, 3 Circuits

**Documents:**

[3D Model](#) [Product Specification PS-5556-001 \(PDF\)](#)  
[Drawing \(PDF\)](#) [RoHS Certificate of Compliance \(PDF\)](#)

**General**

Product Family Crimp Housings  
 Series [5559](#)  
 Comments Glow Wire Equivalent Part Number [50361893](#)  
 Overview [Mini-Fit Jr.™](#)  
 Product Name Mini-Fit Jr.™

**Physical**

Breakaway No  
 Circuits (maximum) 3  
 Color - Resin Natural  
 Flammability 94V-2  
 Gender Male  
 Glow-Wire Compliant No  
 Keying to Mating Part None  
 Lock to Mating Part Yes  
 Material - Resin Nylon  
 Number of Rows 1  
 Packaging Type Bag  
 Panel Mount Yes  
 Pitch - Mating Interface (in) 0.165 In  
 Pitch - Mating Interface (mm) 4.20 mm  
 Pitch - Term. Interface (in) 0.165 In  
 Pitch - Term. Interface (mm) 4.20 mm  
 Polarized to Mating Part Yes  
 Stackable No  
 Temperature Range - Operating -40°C to +105°C

**Electrical**

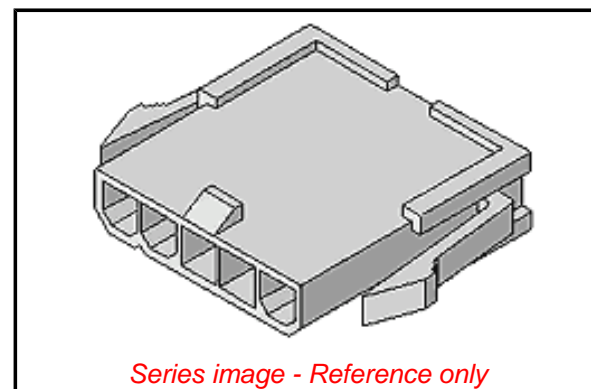
CSA LR19980  
 Current - Maximum 12A  
 Current - Maximum 9A  
 TUV R72081037  
 UL E29179

**Material Info**

Old Part Number 5559-03P2

**Reference - Drawing Numbers**

Product Specification PS-5556-001  
 Sales Drawing SD-5559-03P\*



Series image - Reference only

**EU RoHS**

**ELV and RoHS  
 Compliant**  
**REACH SVHC  
 Contains SVHC: No**  
**Halogen-Free  
 Status  
 Not Reviewed**

**China RoHS**



**Need more information on product  
 environmental compliance?**

Email [productcompliance@molex.com](mailto:productcompliance@molex.com)  
 Please visit the [Contact Us](#) section for any  
 non-product compliance questions.

**Search Parts in this Series**

[5559 Series](#)

**Mates With**

[39-01-4030](#) Receptacle Housing

**Use With**

[5558](#) Mini-Fit Jr.™ Male Crimp Terminals.  
[44478](#) Mini-Fit HCS™ Male Crimp  
 Terminals. [30490](#) Mini-Fit® Male Grounding  
 Crimp Terminals